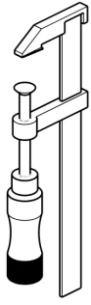


KC

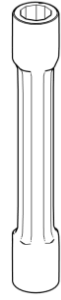
Kompaktschränke



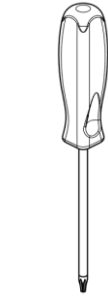
MONTAGE- UND BETRIEBSANLEITUNG	DE
ASSEMBLY AND OPERATING MANUAL	EN
NÁVOD K OBSLUZE A ÚDRŽBĚ	CZ
INSTRUKCJA MONTAŻU I OBSŁUGI	PL
INSTRUCȚIUNI DE MONTAJ SI FUNCTIONARE	RO
SZERELÉSI ÉS KEZELÉSI UTASÍTÁS	HU
UPUTE ZA UGRADNJU I UPORABU	HR
NAVODILA ZA SESTAVO IN UPORABO	SI
UPUTSTVO ZA MONTAŽU I UPOTREBU	RS
MONTAGE- EN GEBRUIKSAANWIJZING	NL
INSTRUCTIONS DE MONTAGE ET D'UTILISATION	FR
ИНСТРУКЦИИ ЗА МОНТАЖ И ЕКСПЛОАТАЦИЯ	BG
ИНСТРУКЦИЯ ПО СБОРКЕ И ЭКСПЛУАТАЦИИ	RU



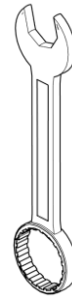
4,5,6,10



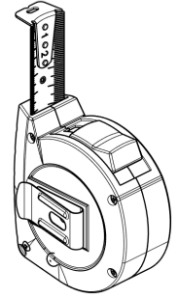
M10



TX 25, TX30



19



Ersatzteile
Spare Parts
Náhradní díly
Pièces de rechange
Запасные части



Item 1
Plug 9x13x6



Item 2 (20x)
M6



Item 3
Plug 5,1x11x6



Item 4 (28x)
M5x10 Fastite
14 N/m



Item 5 (20x)
M6x12 Fastite
16 N/m



Item 6
M6x12 ISO 7991
4.5 N/m



Item 7
M6
4.5 N/m



Item 8
M8



Item 9



Item 10
Plug BS 5,4-10



Item 11



Item 12
M6x16 DIN 7985 TORX
14 N/m



Item 13
M5 DIN 125



Item 14
M5 EPDM



Item 15
M5 DIN 985



Item 16
M6
4 N/m



Item 17
M6x12 ISO 7380
4.5 N/m



Item 18
Hinge door



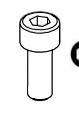
Item 19
Catcher



Item 20
Catcher



Item 21
M5x12 ISO 7991
4.5 N/m



Item 22
M12x20 DIN 912
20 N/m



Item 23
M8 DIN 934
25 N/m



Item 24
M5x12 DIN 7985 TORX
14 N/m



Item 25
M8x16 ISO 7380
20 N/m



Item 26
M12 AN 9055/A2



Item 27
M8-36
25 N/m



Item 28
M6



Item 29
Plug 21,5x15x17,5



Item 30
M12 DIN 934
20 N/m

Inkludiertes Zubehör
Included Accessories
Příbal
Boîte insert
Часть пакета



Item 40 (4x)



Item 41 (2x)
 M5x9 Fastite
 14 N/m



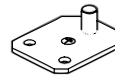
Item 42 (6x)
 M8 DIN 7980



Item 43 (5x)
 M8



Item 44 (2x)
 M5 DIN 7980



Item 45 (1x)



Item 46 (12x)
 M8 DIN 125



Item 47 (2x)



Item 48 (1x)



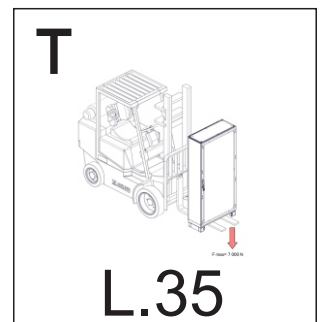
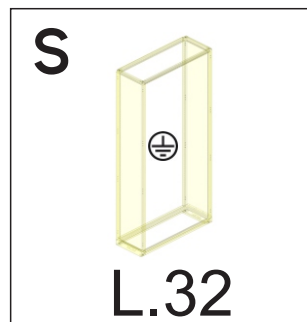
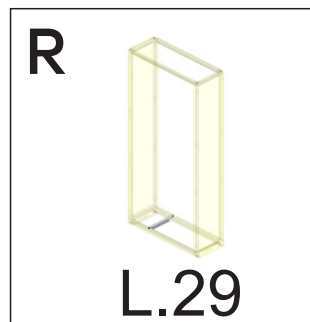
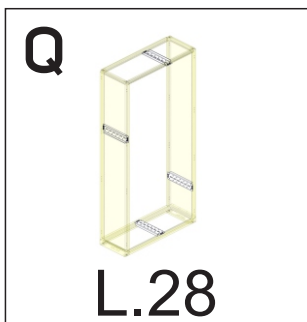
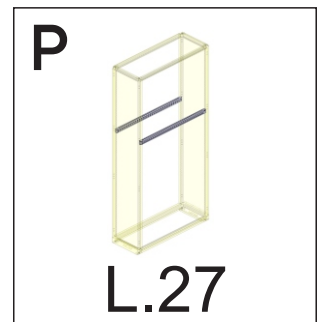
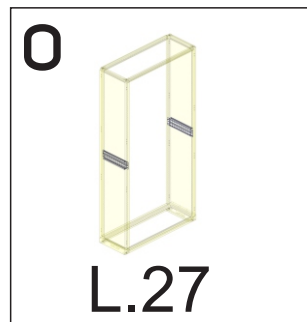
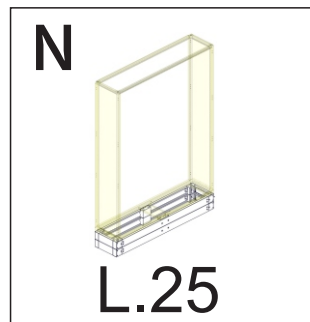
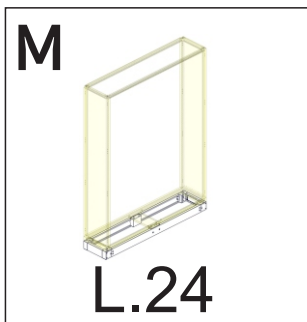
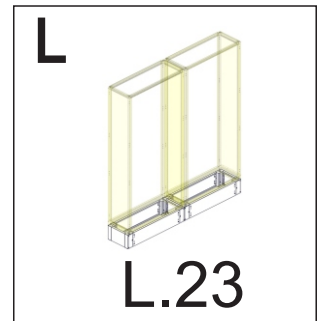
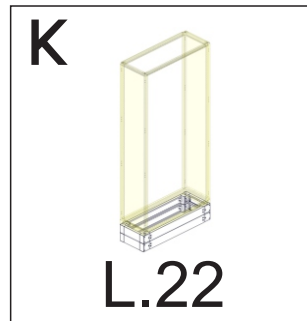
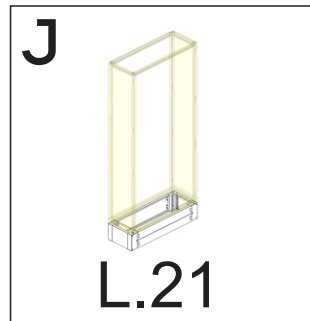
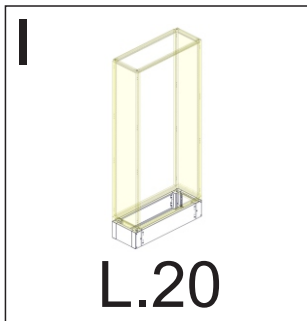
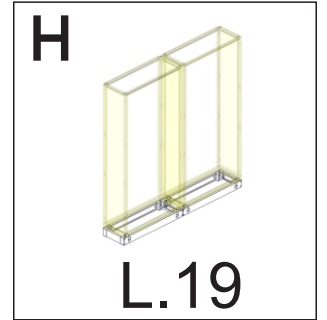
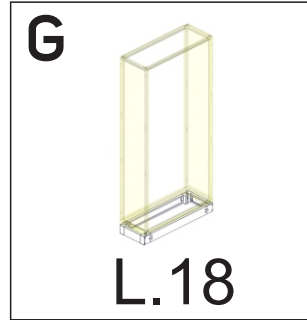
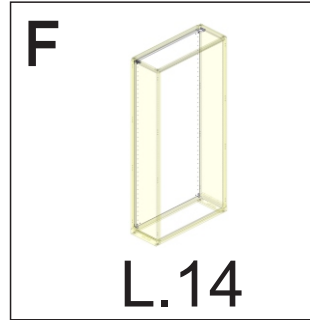
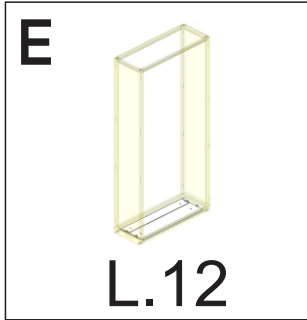
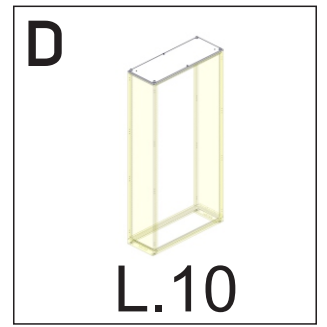
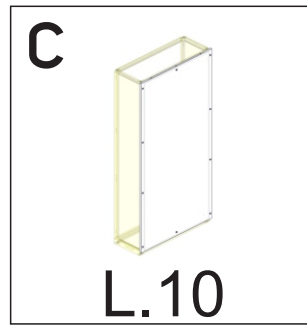
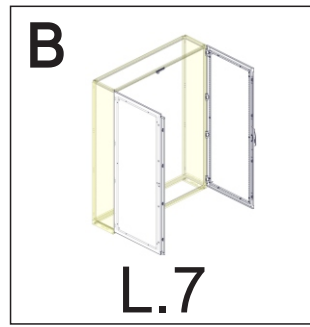
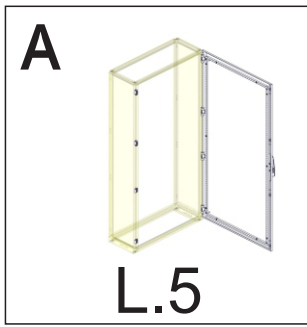
Item 49 (1x)



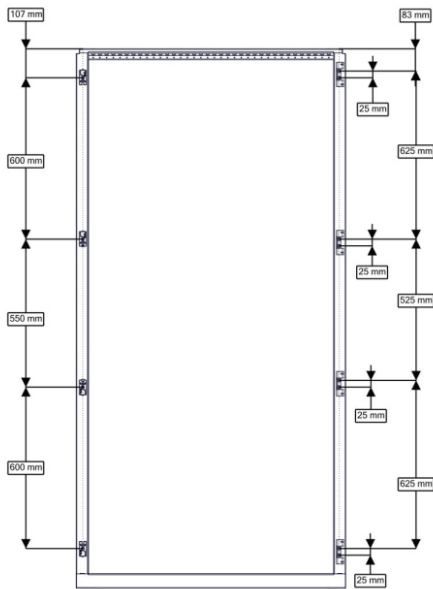
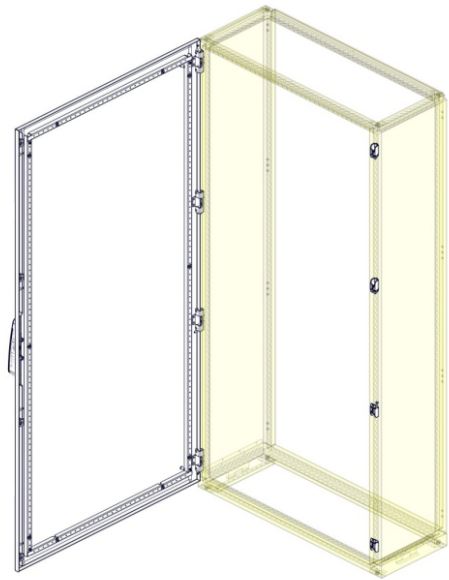
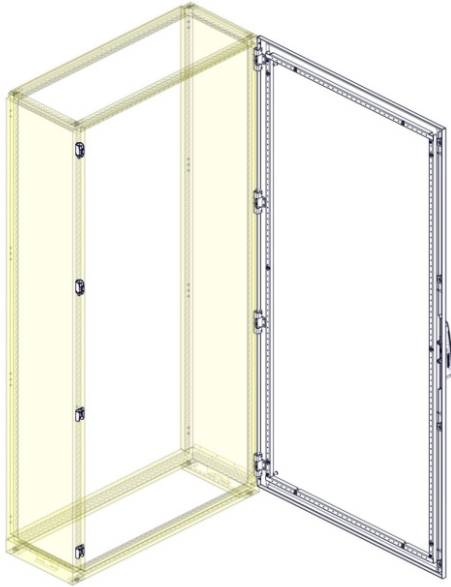
Item 50 (6x)
 M8 DIN 934



Item 51 (2x)
 M8x25 DIN 933
 25 N/m



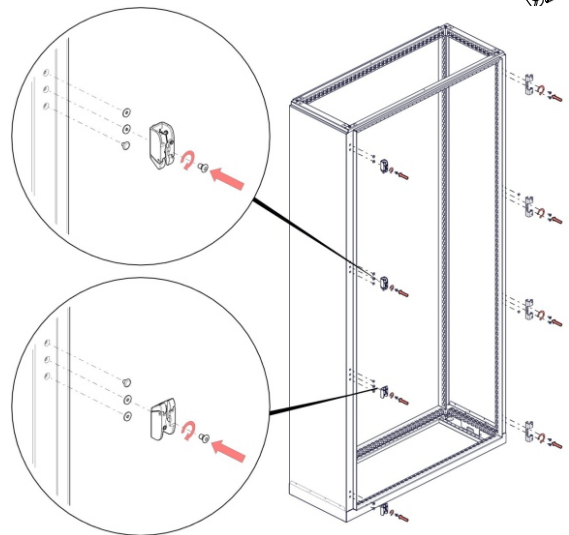
A



Item 5 (4x)



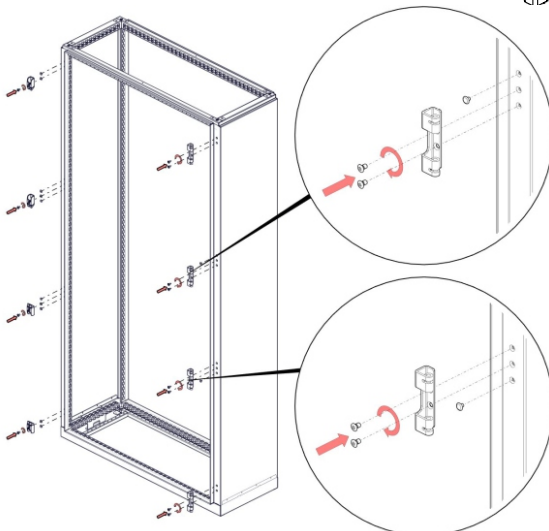
Item 19 (4x)



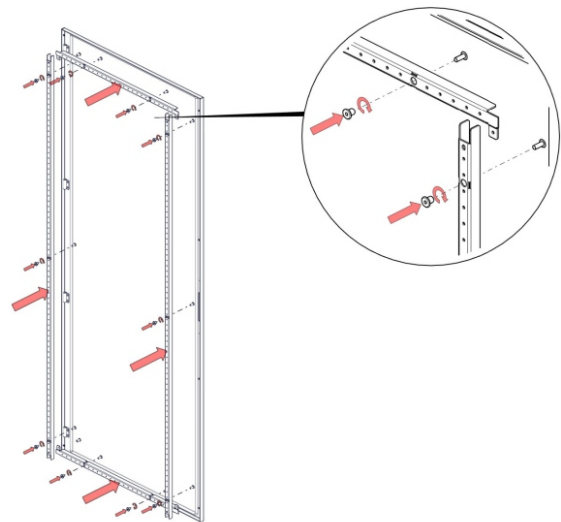
Item 5 (8x)



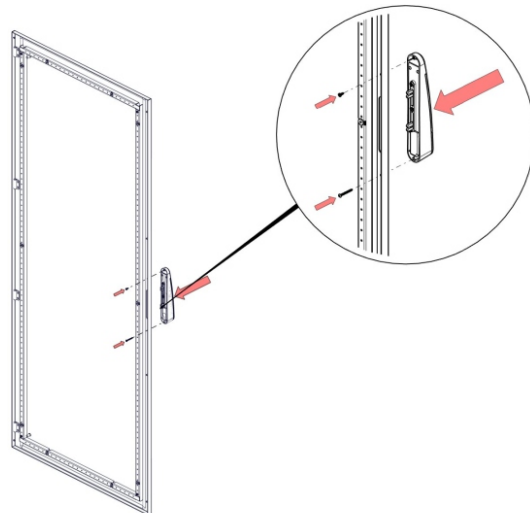
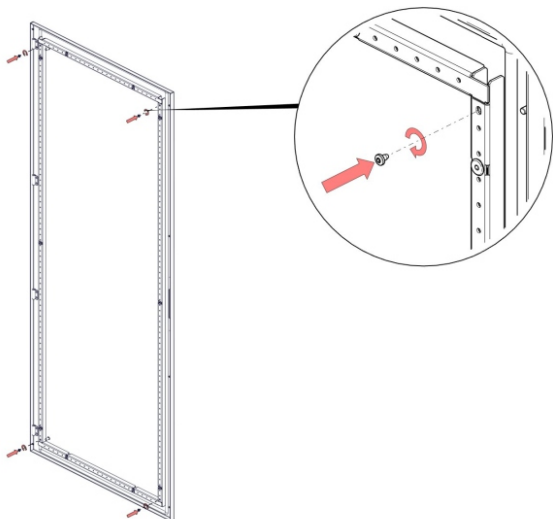
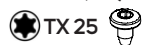
Item 18 (4x)



Item 7 (10x)



Item 4 (4x)



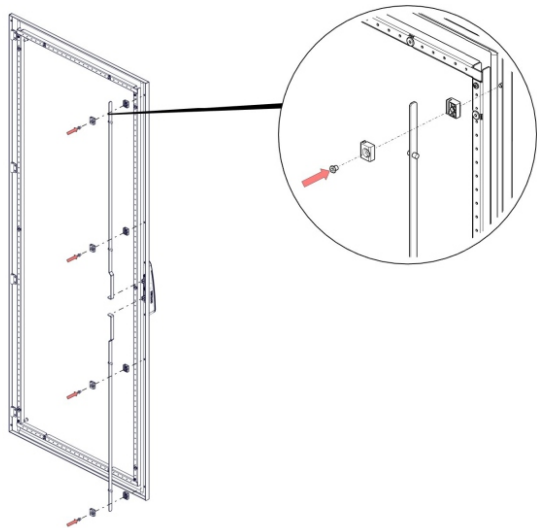
Item 11 (8x)



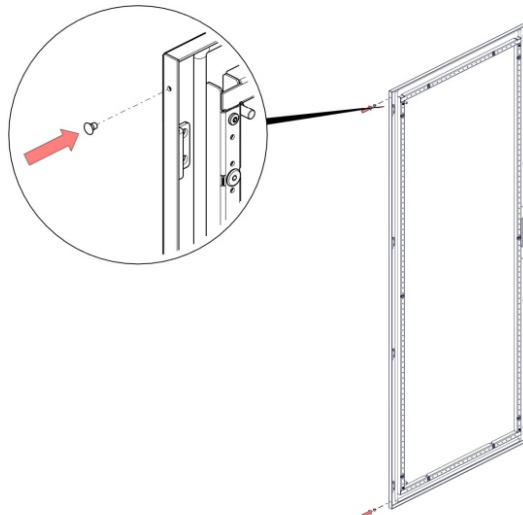
Item 9 (2x)



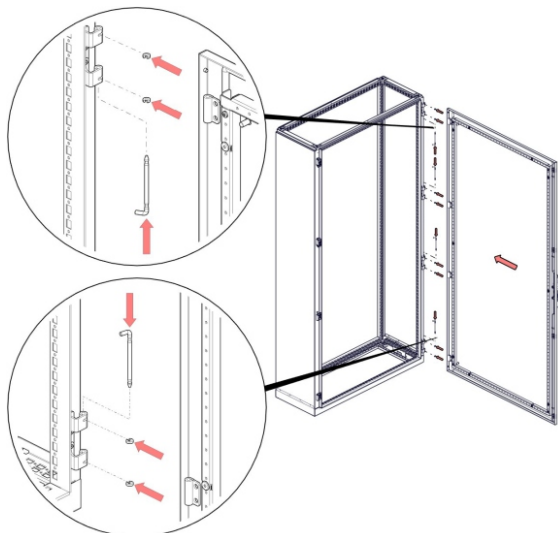
Item 16 (4x)



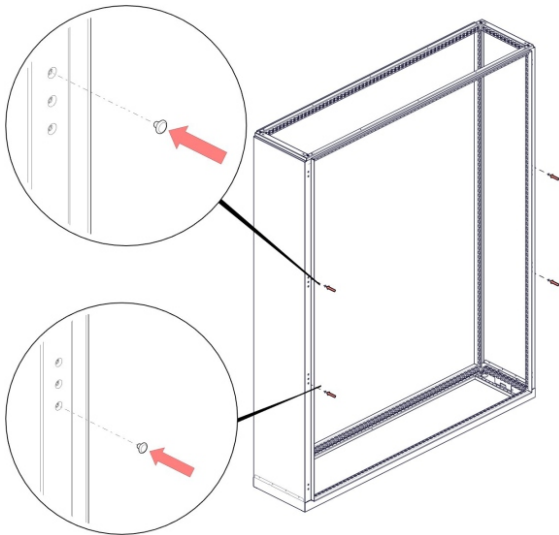
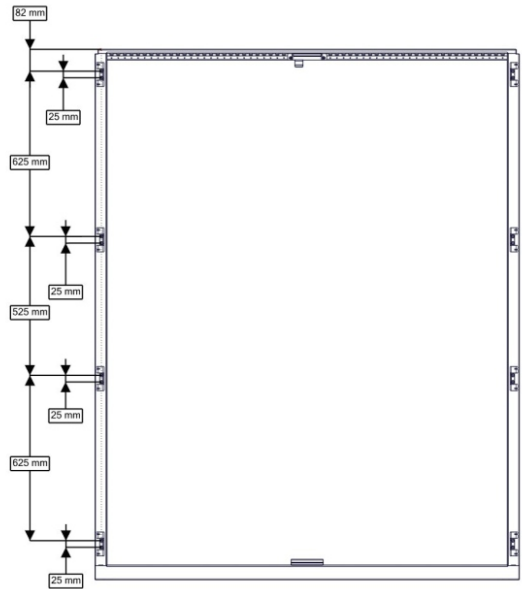
Item 10 (2x)



Item 18 (4x)



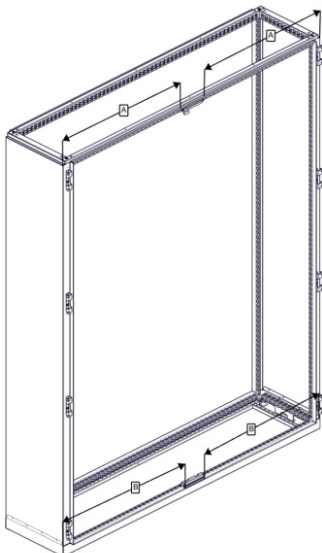
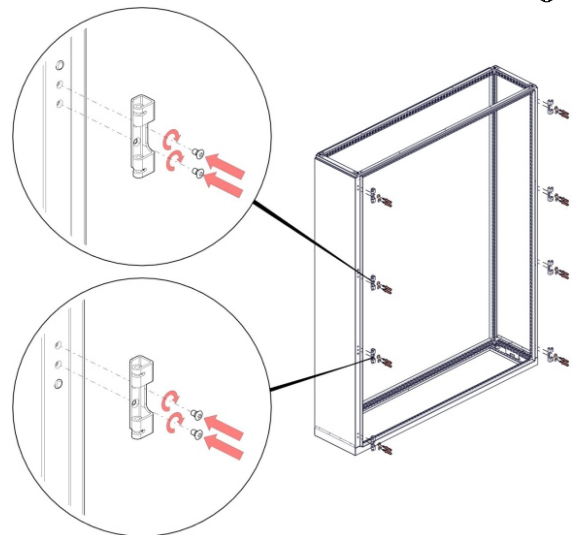
B



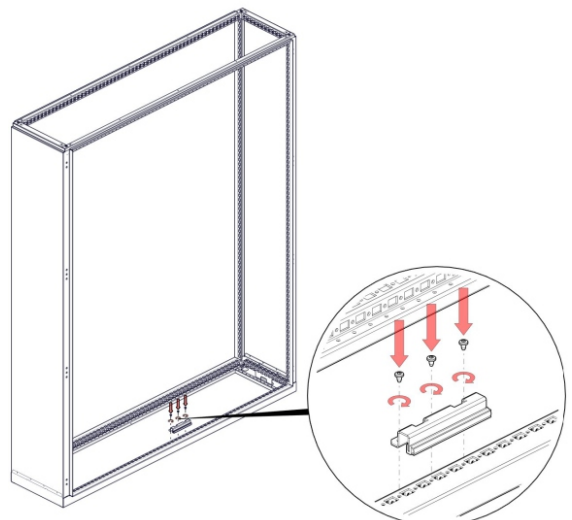
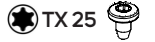
Item 5 (16x)



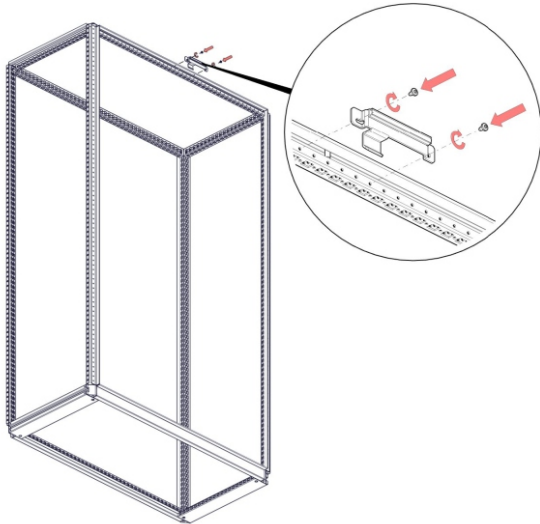
Item 18 (8x)



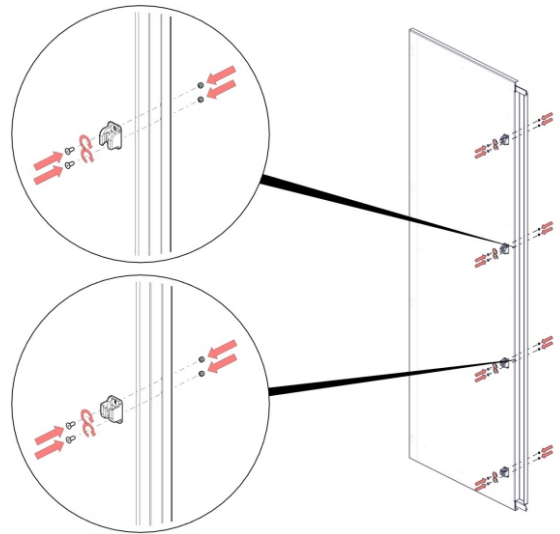
Item 4 (3x)



Item 4 (2x)



Item 20 (4x)



Item 15 (8x)

M5



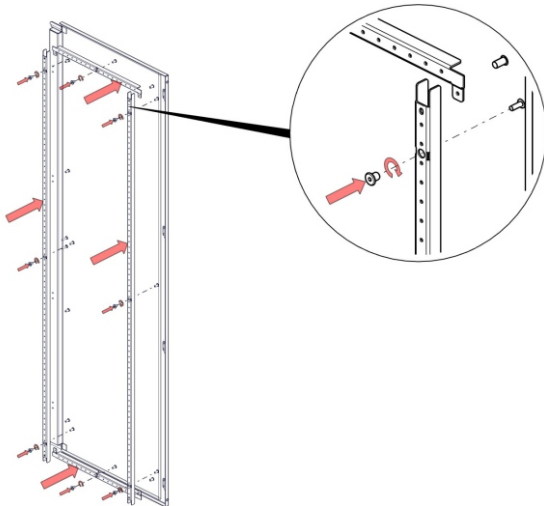
Item 21 (8x)

SW 4



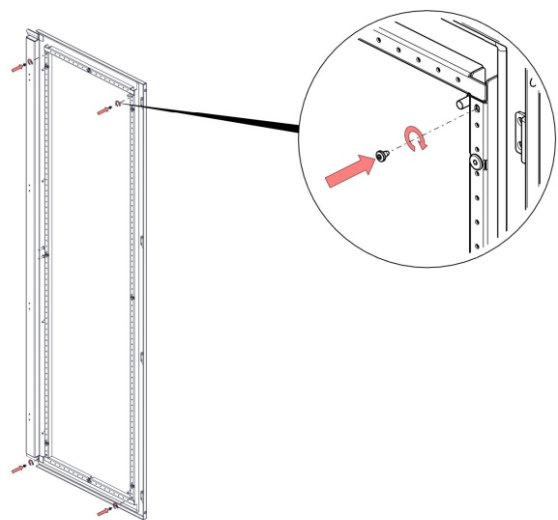
Item 7 (8x)

SW 4



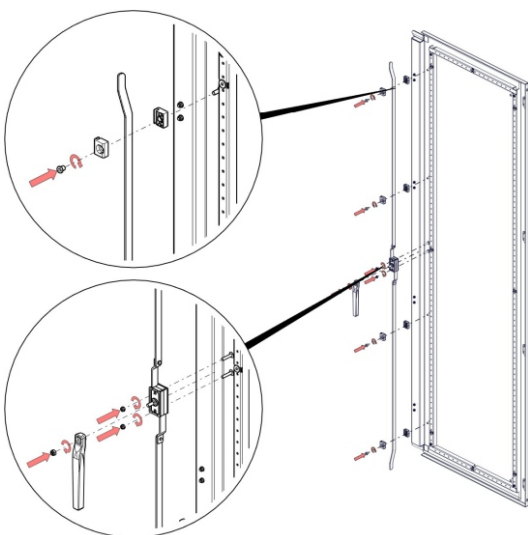
Item 4 (4x)

TX 25

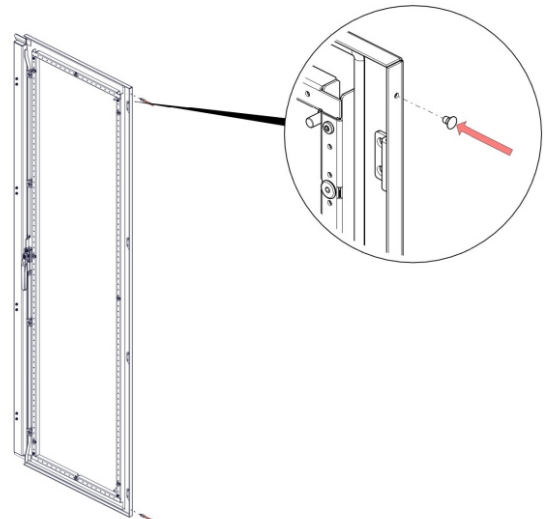


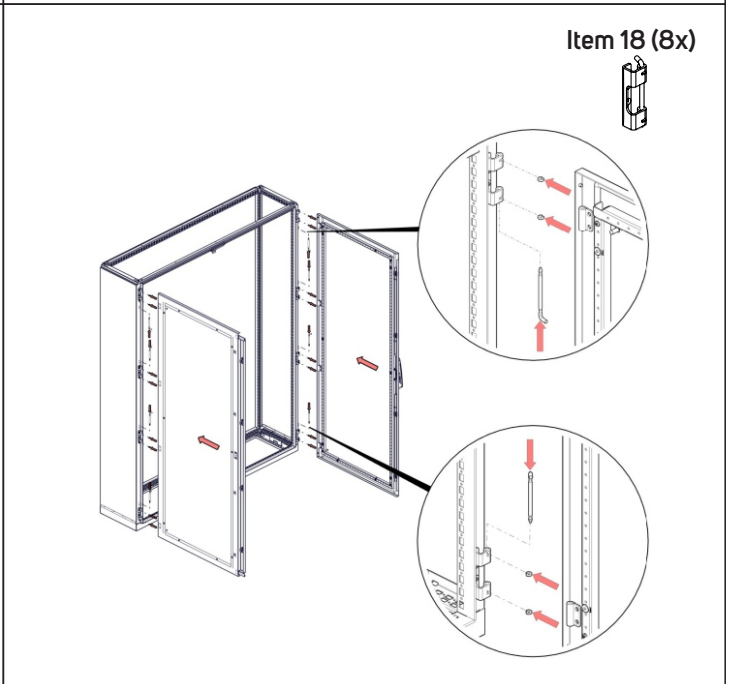
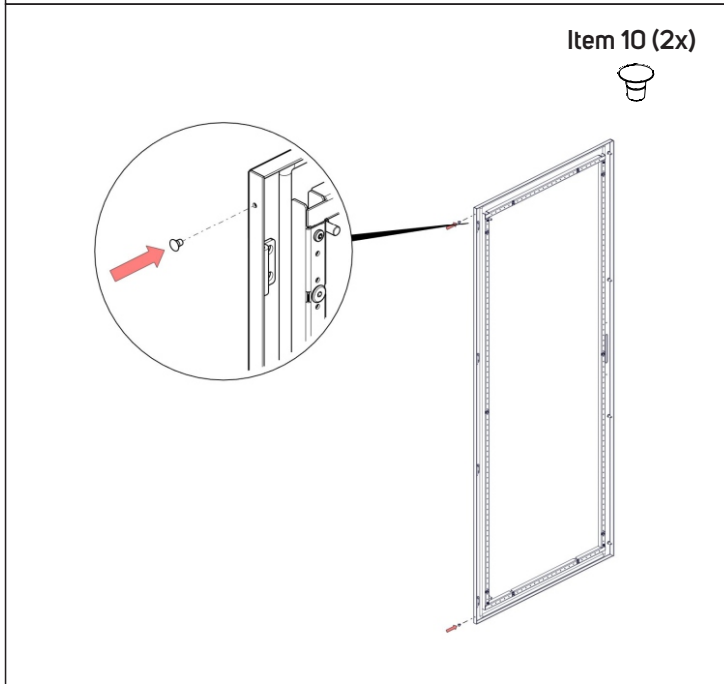
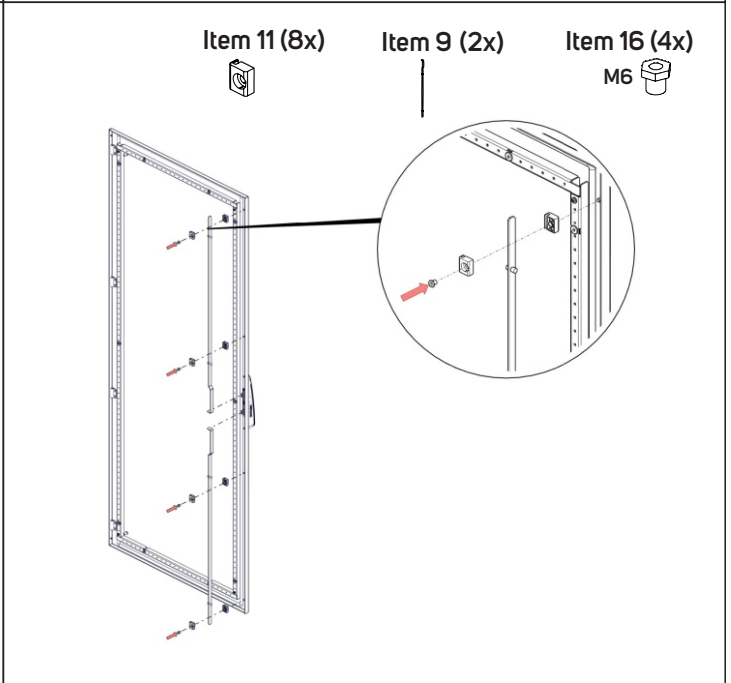
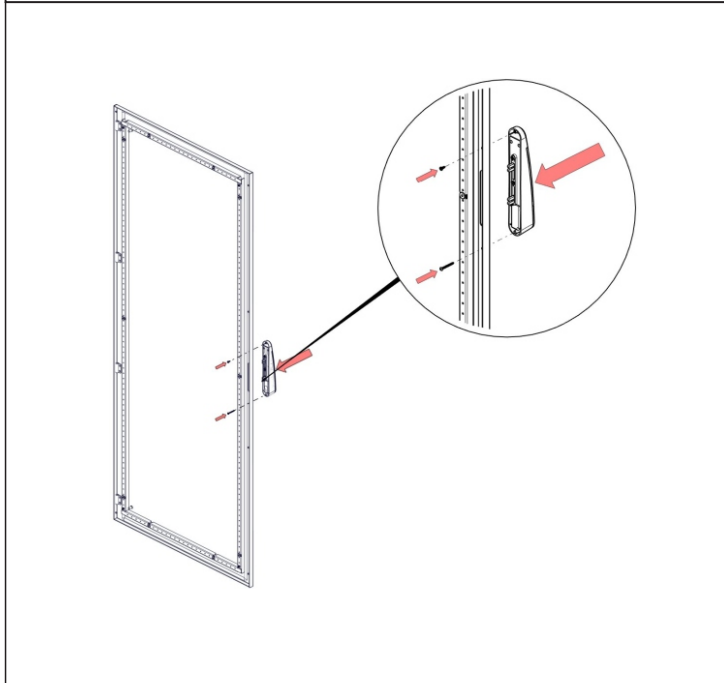
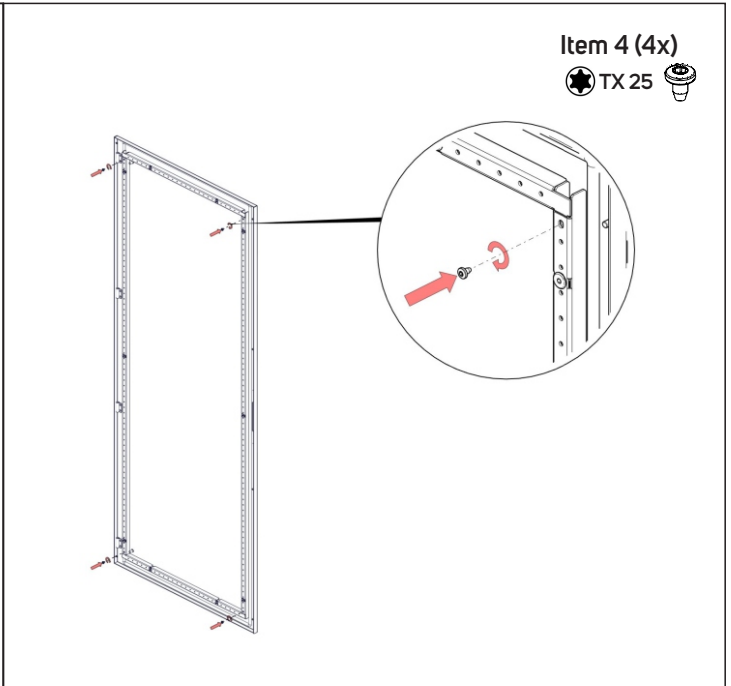
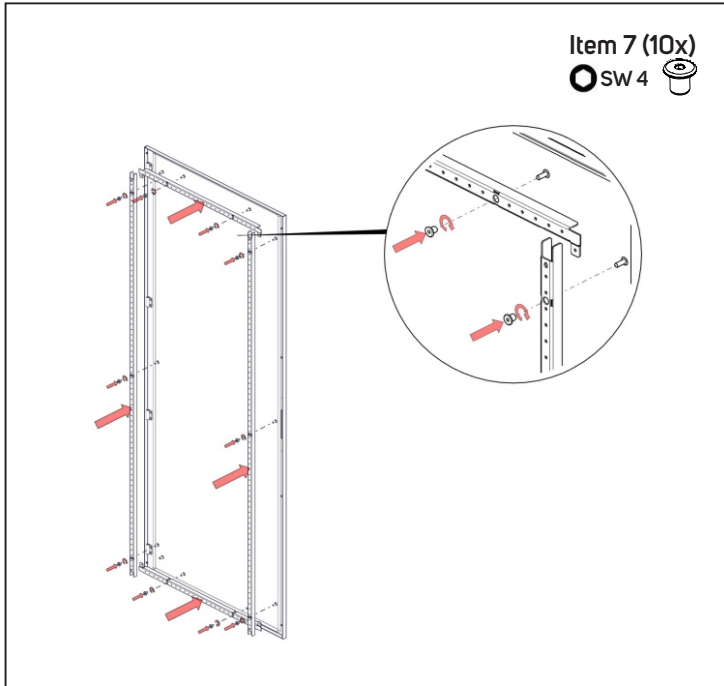
Item 16 (4x)

M6

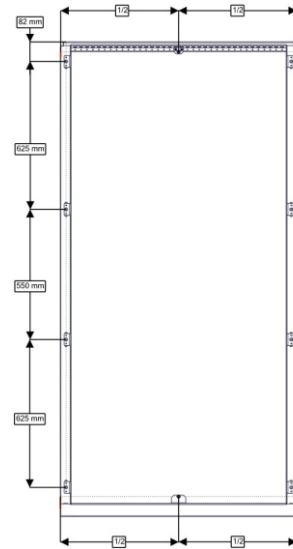
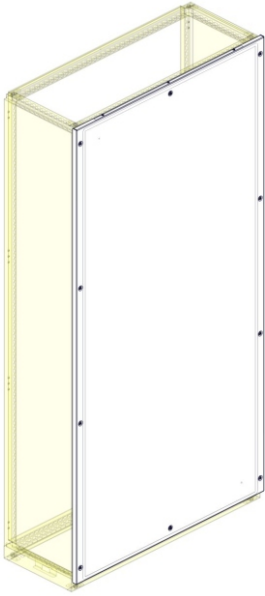


Item 10 (2x)





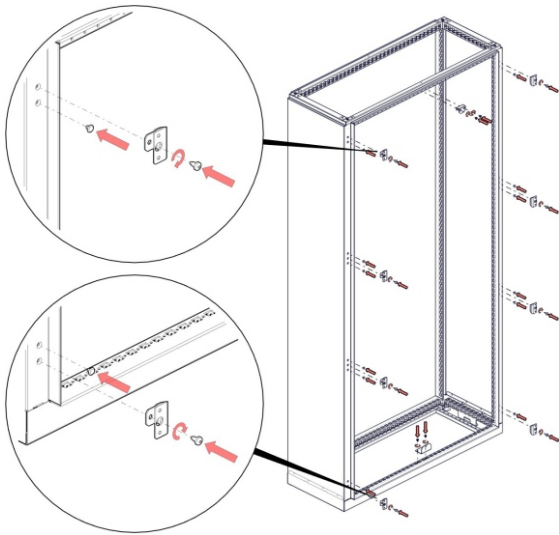
C



Item 3 (12x)



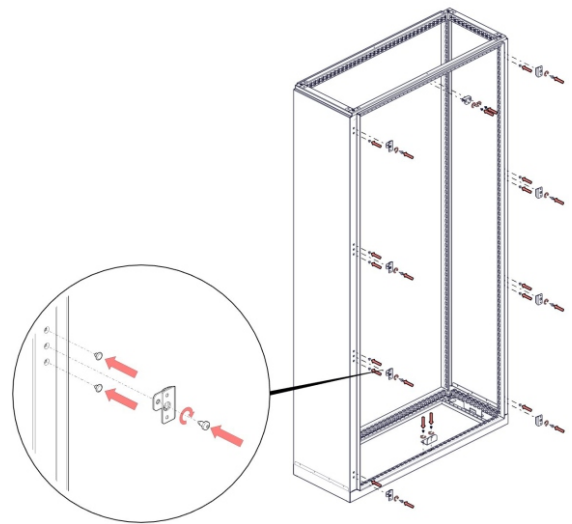
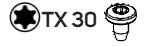
Item 5 (8x)



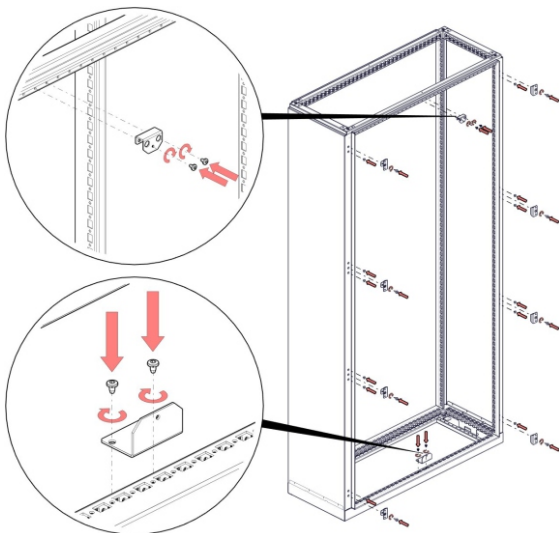
Item 3 (12x)



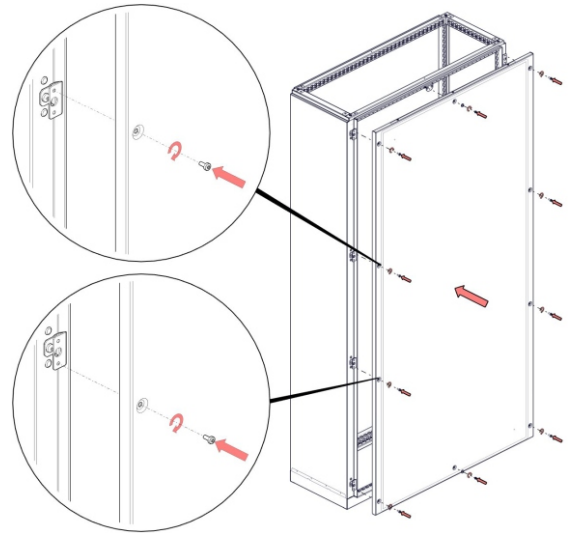
Item 5 (8x)



Item 5 (4x)

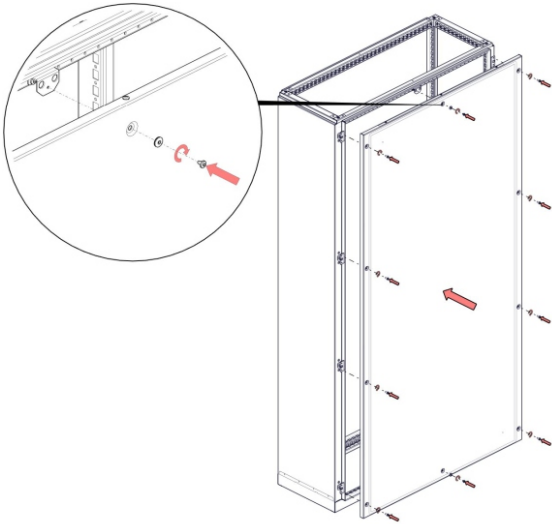
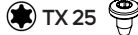


Item 24 (8x)

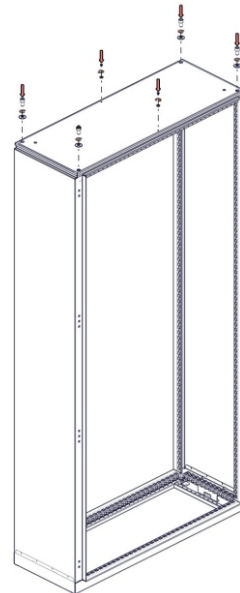
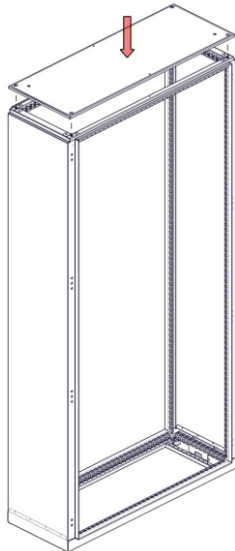
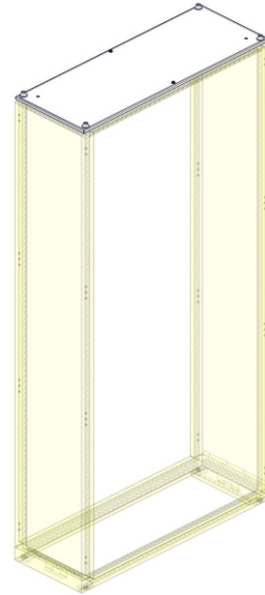


Item 14 (2x)

Item 4 (2x)



D

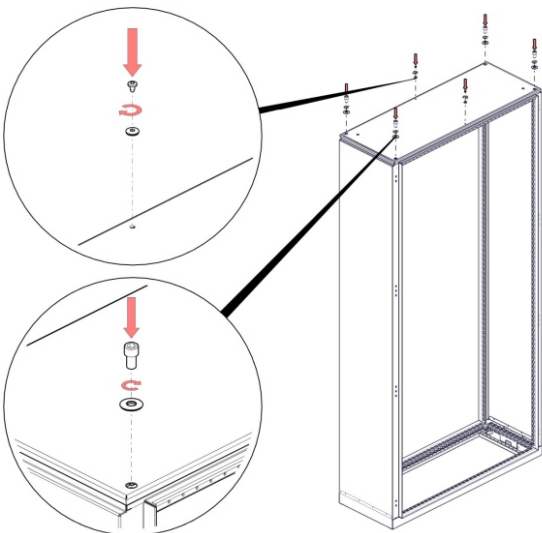
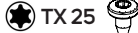
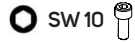


Item 22 (4x)

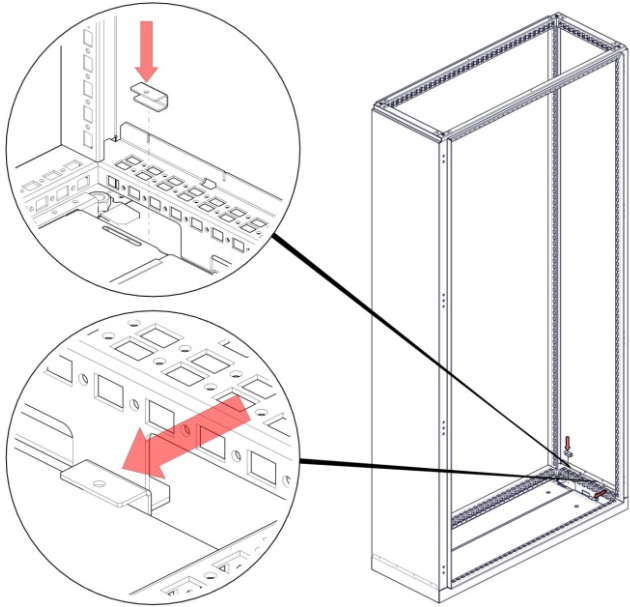
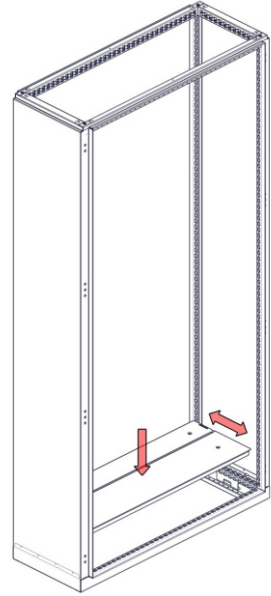
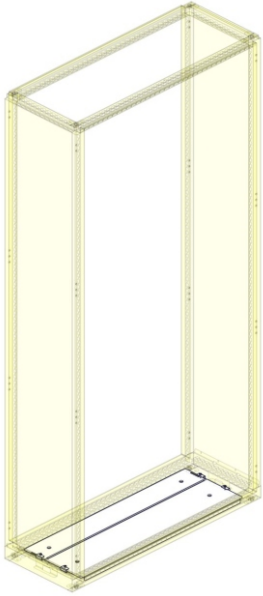
Item 26 (4x)

Item 14 (2x)

Item 4 (2x)

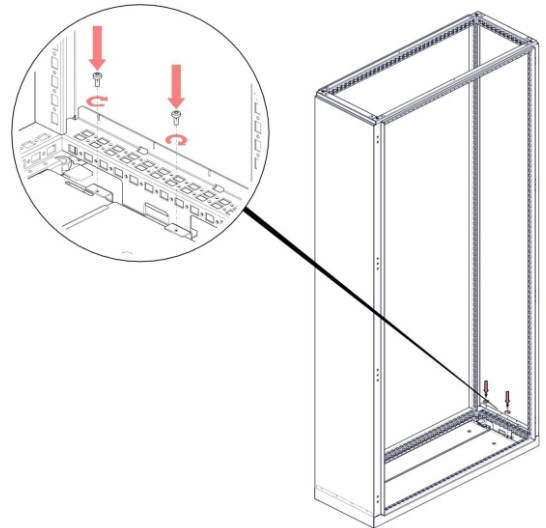


E

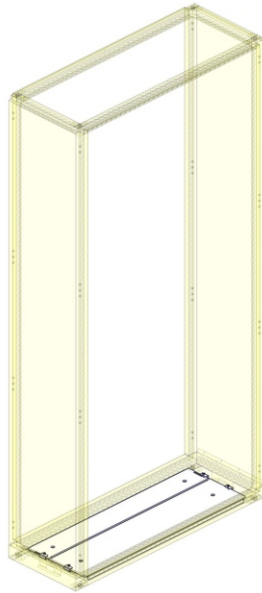


Item 24 (6x)

 **TX 25** 

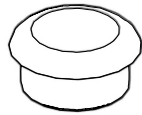


ACSPDG01



ACSPDG01

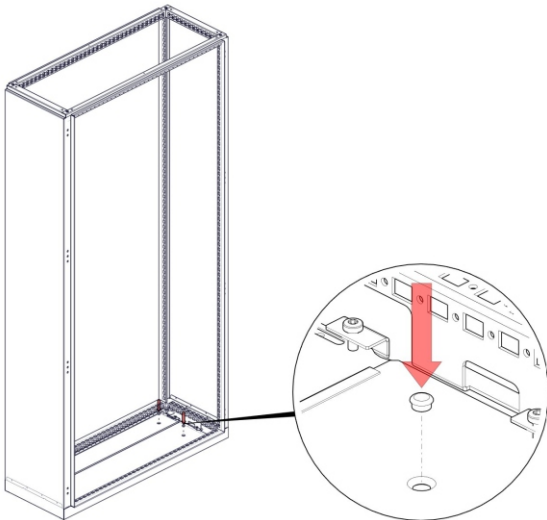
16x



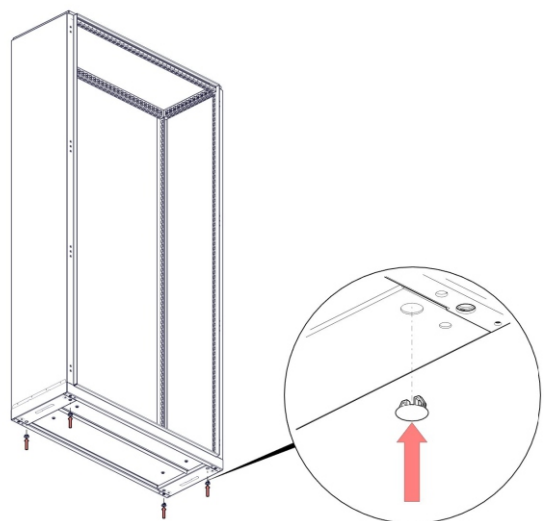
4x



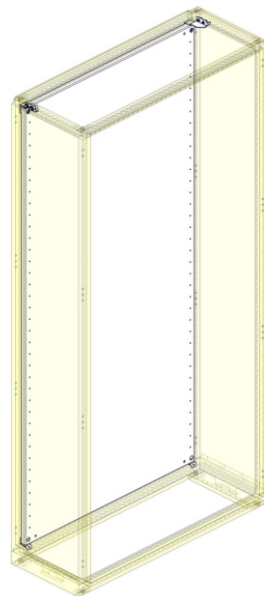
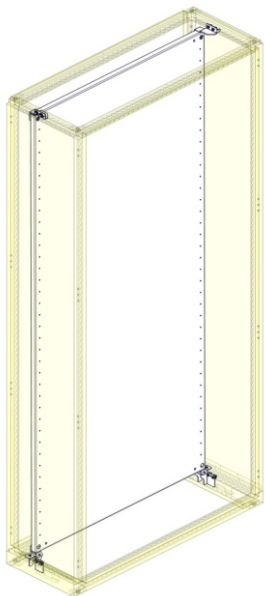
Item 1 (6x)



Item 29 (4x)



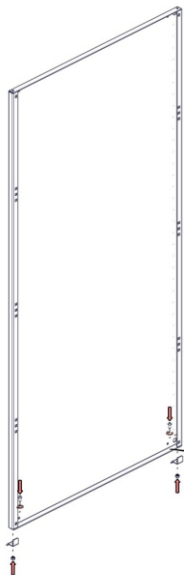
F



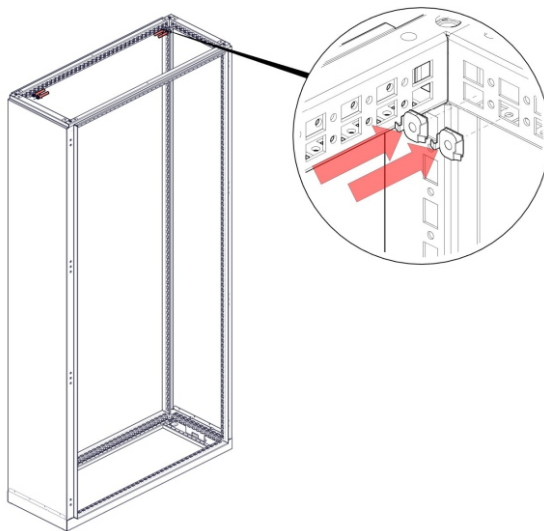
Item 25 (2x)



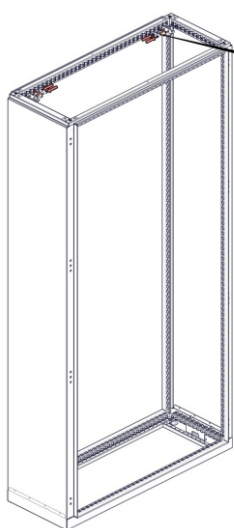
Item 23 (2x)



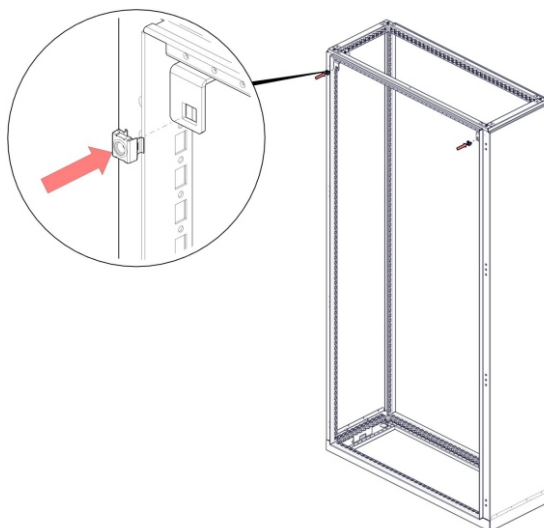
Item 2 (4x)

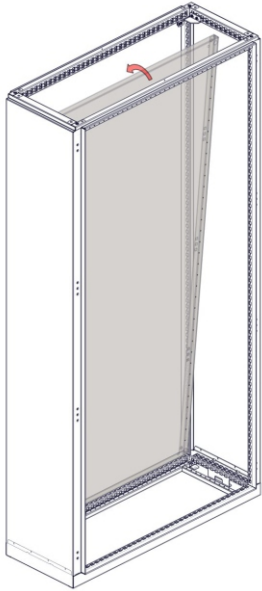


Item 12 (4x)



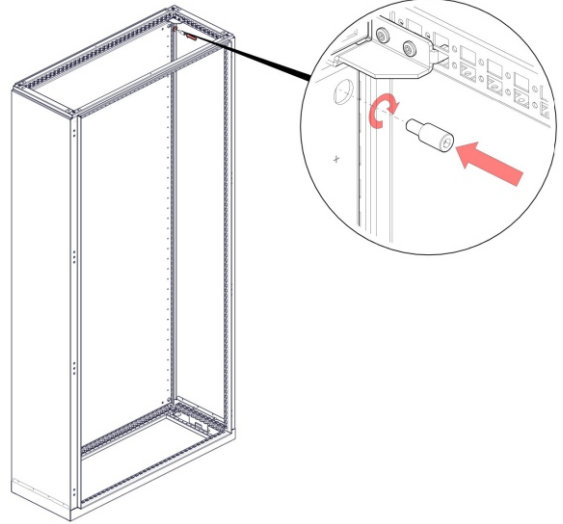
Item 8 (2x)





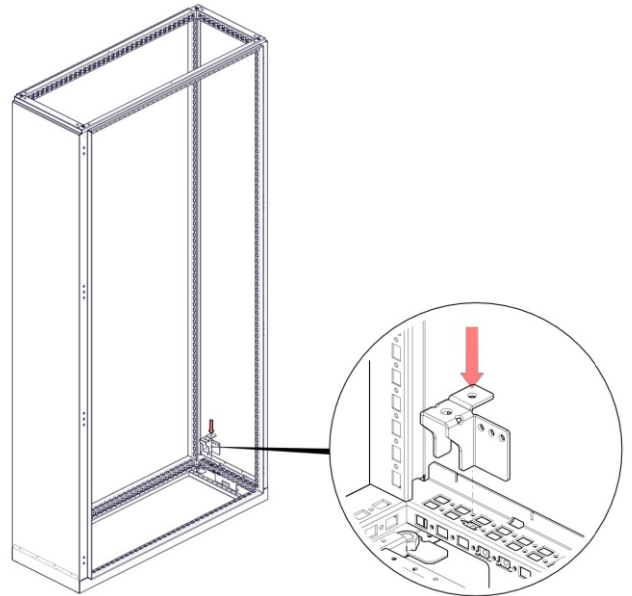
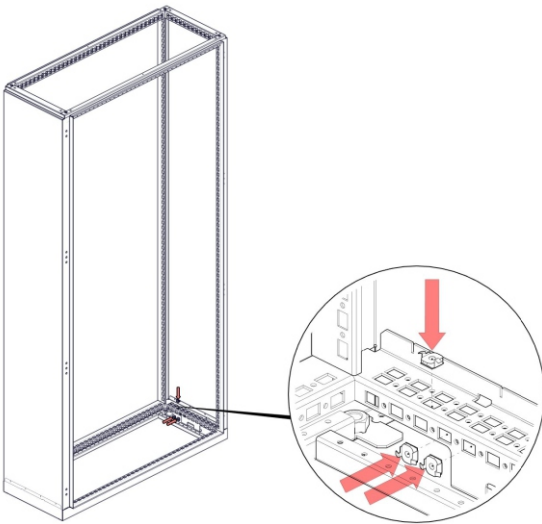
Item 27 (2x)

SW5 



Item 2 (6x)

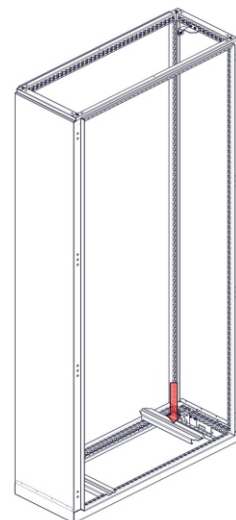
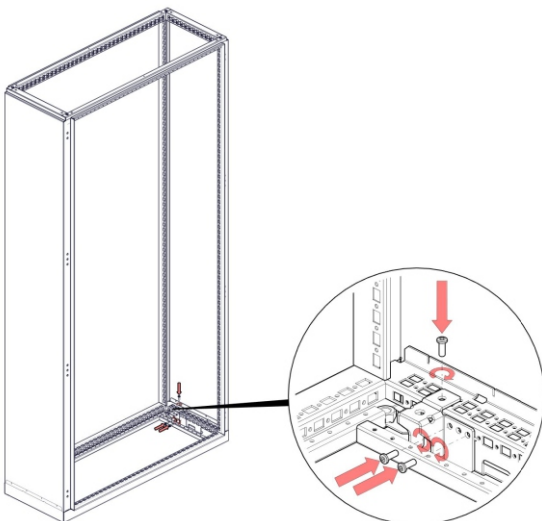
M6 

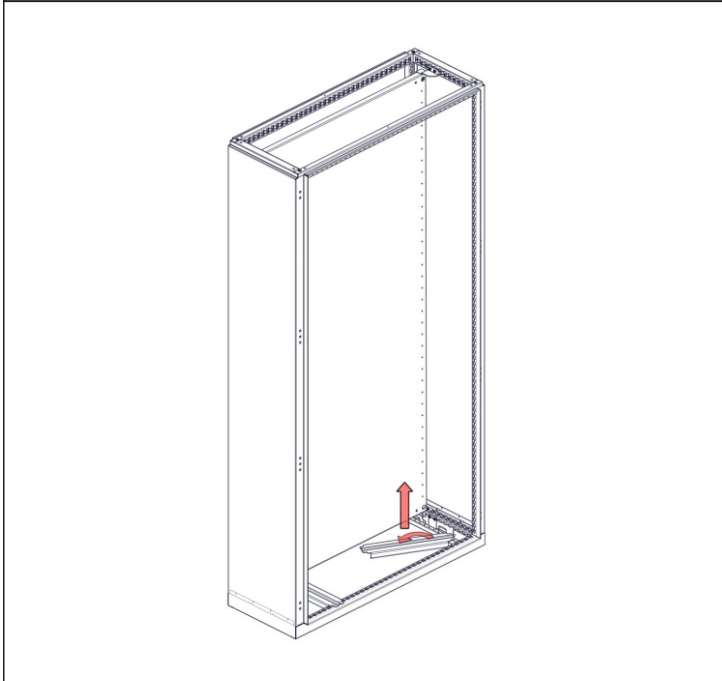
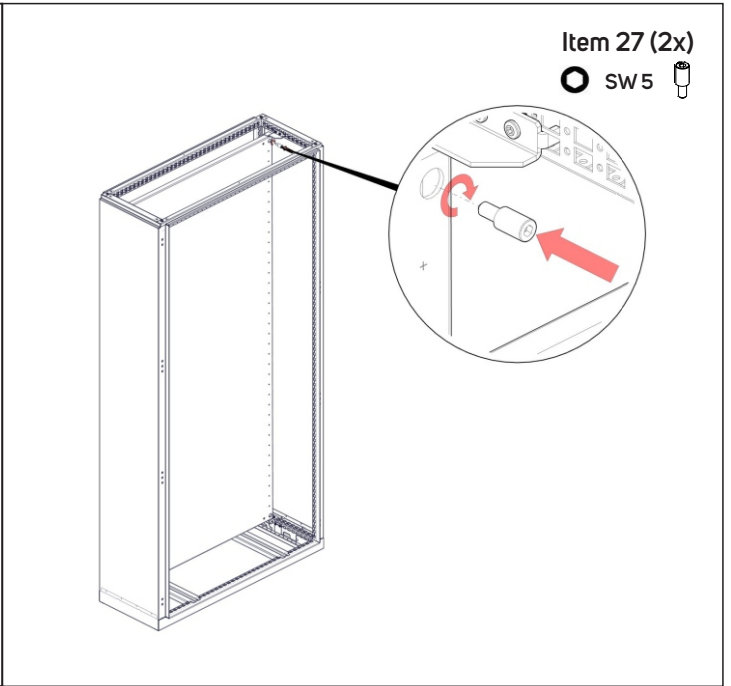
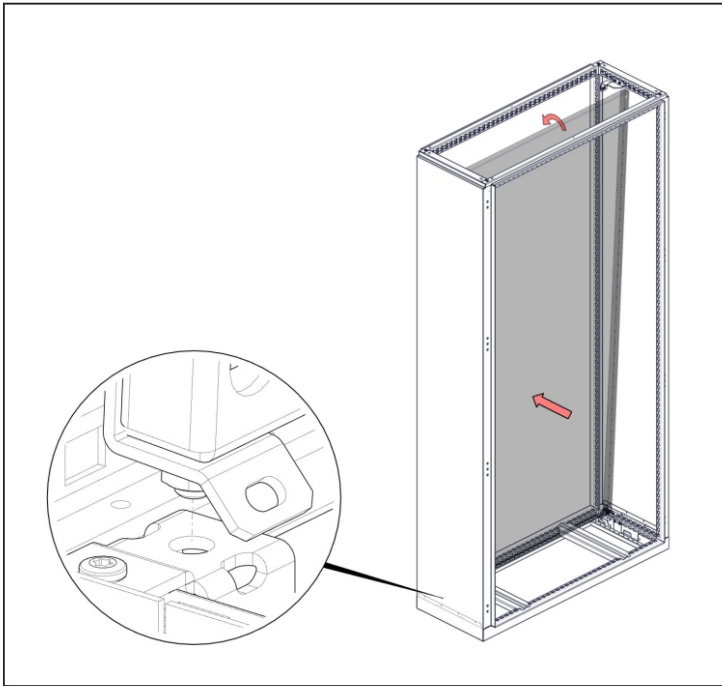


Item 12 (6x)

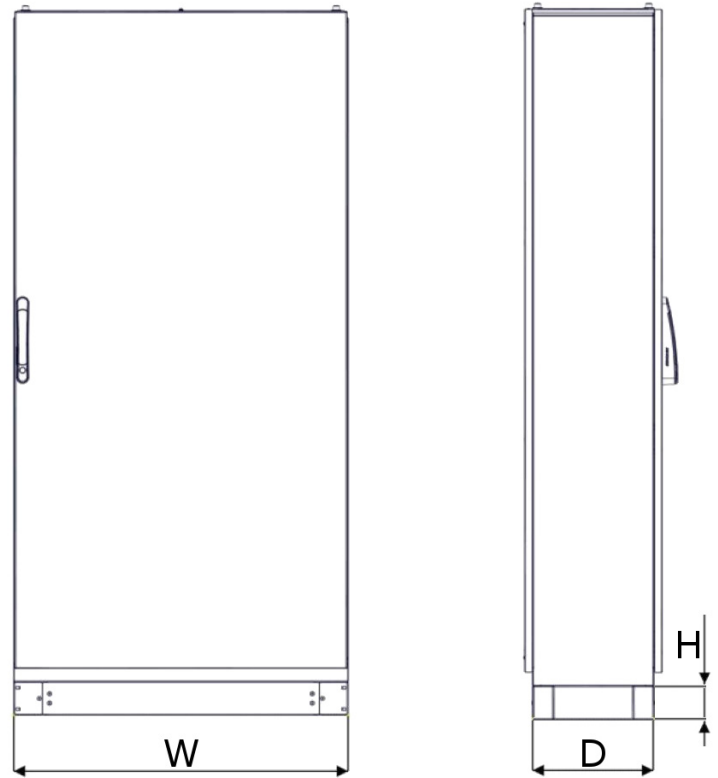
TX 30 

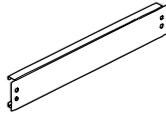
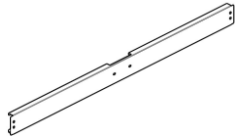

ACCLTx00




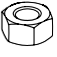
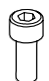

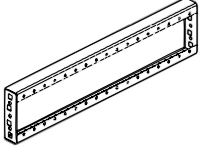
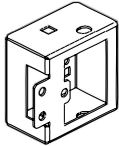
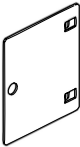




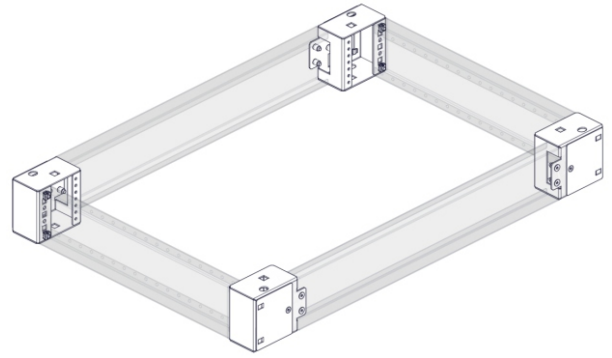
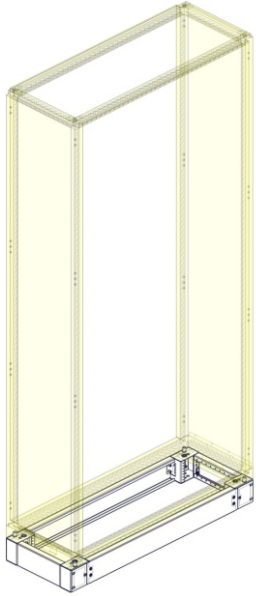
Artikel / Article	Breite / Width [mm]	Tiefe / Depth [mm]	Höhe / Height [mm]
ACSOB061	600	-	100
ACSOB062	600	-	200
ACSOB081	800	-	100
ACSOB082	800	-	200
ACSOB101	1000	-	100
ACSOB102	1000	-	200
ACSOB121	1200	-	100
ACSOB122	1200	-	200
ACSOB161	1600	-	100
ACSOB162	1600	-	200
ACSOT031	-	300	100
ACSOT032	-	300	200
ACSOT041	-	400	100
ACSOT042	-	400	200
ACSOT051	-	500	100
ACSOT052	-	500	200



<p>ACSOBxxx</p> <p>2x </p> <p>8x </p>	<p>ACSOB161</p> <p>2x </p> <p>12x </p> <p>2x </p>
--	---

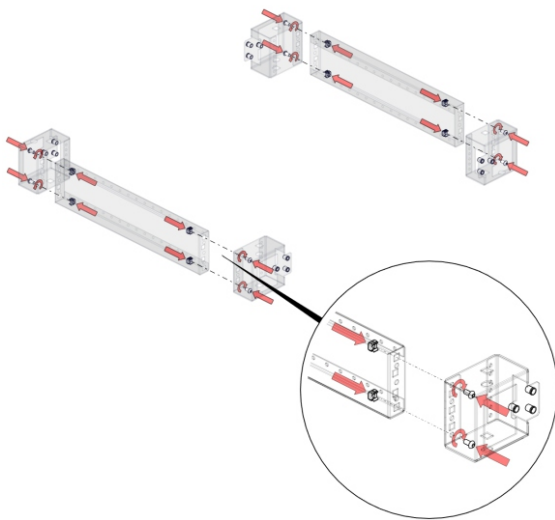
<p>ACSOT0xx</p> <p>12x M6x12 DIN 7991,BlZn </p> <p>8x M6 </p> <p>8x M6x12 ISO 7380,Zn </p> <p>4x M12 DIN 934,Zn </p> <p>4x M12x20 DIN 912,Zn </p> <p>4x Plug LBS 21,5x15x17,5 </p>	<p>2x </p> <p>4x </p> <p>4x </p>
---	---

G

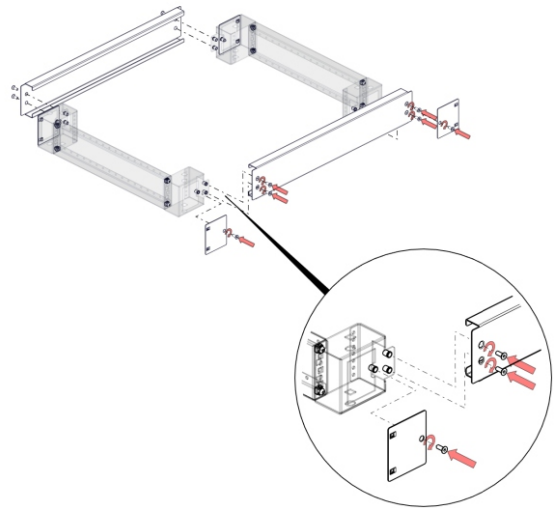


Item 17 (8x)
● SW 4

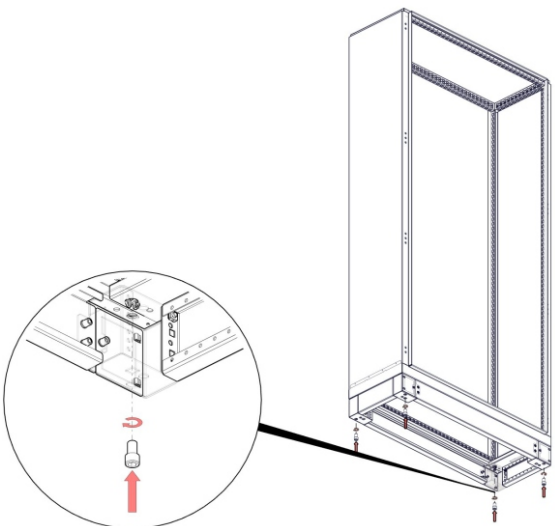
Item 28 (8x)
M6



Item 6 (12x)
● TX 30

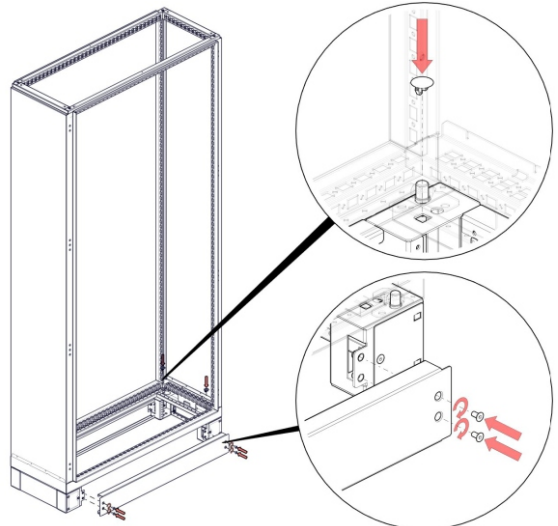


Item 22 (4x)
● SW 10

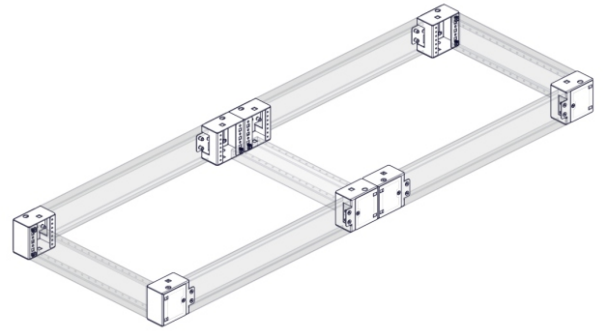
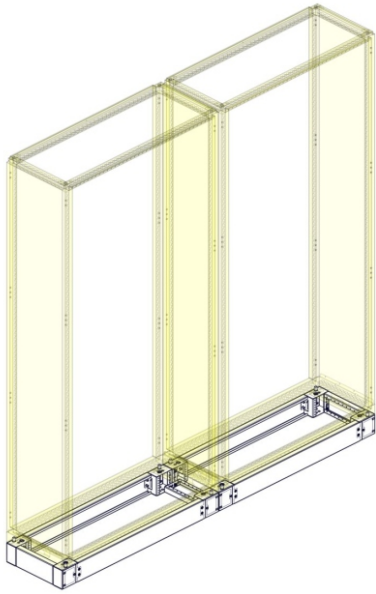


Item 29 (4x)

Item 6 (8x)
● TX 30

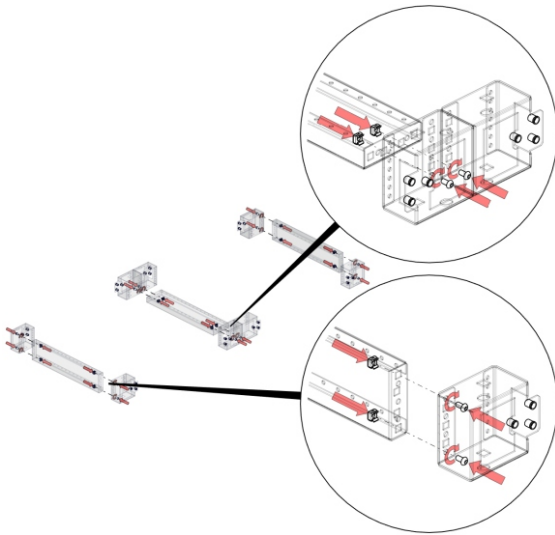


H

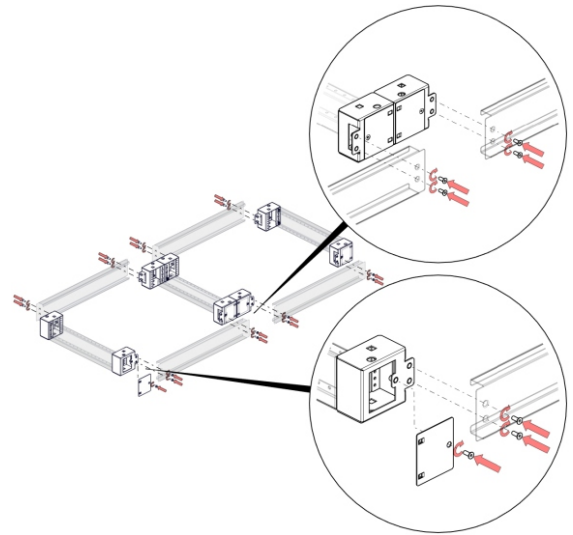


Item 17 (12x)
● SW 4

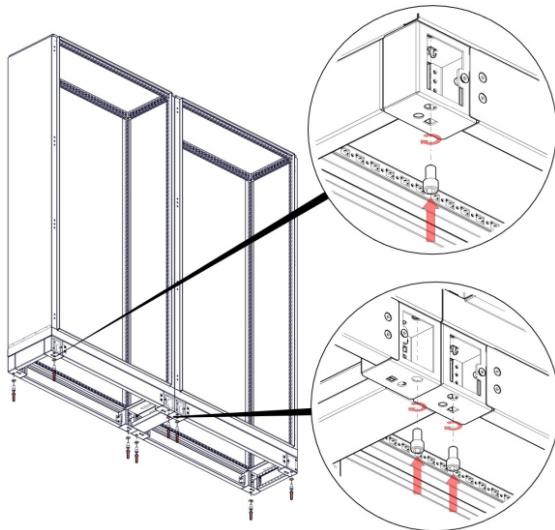
Item 28 (12x)
M6



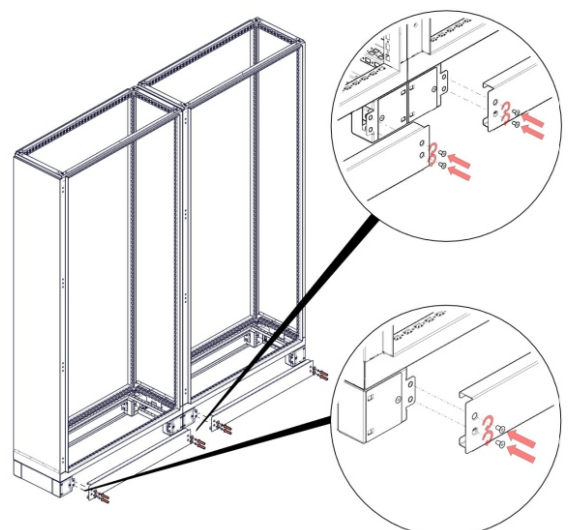
Item 6 (24x)
● TX 30

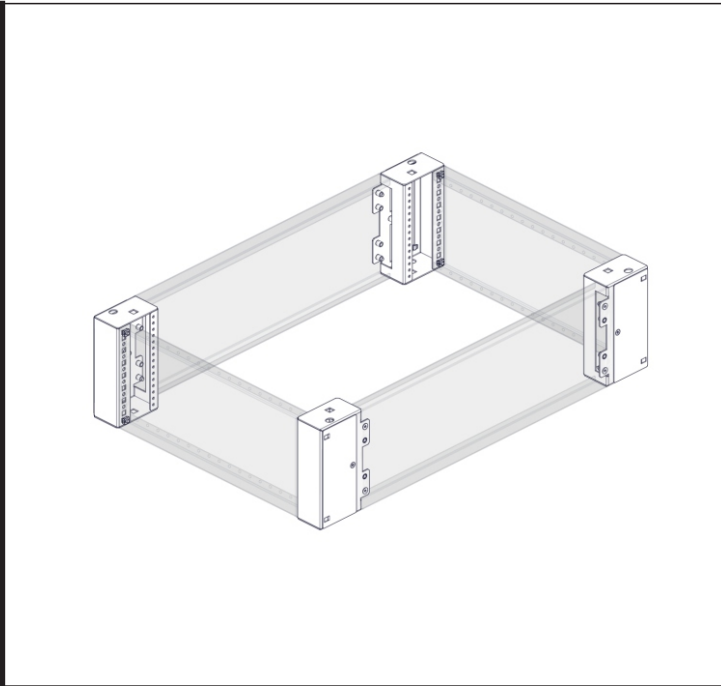
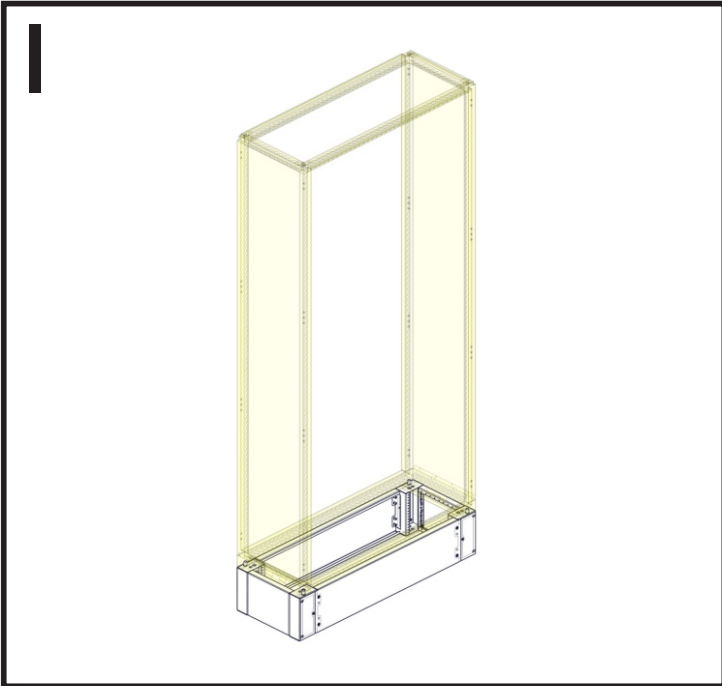


Item 22 (8x)
● SW 10



Item 6 (16x)
● TX 30





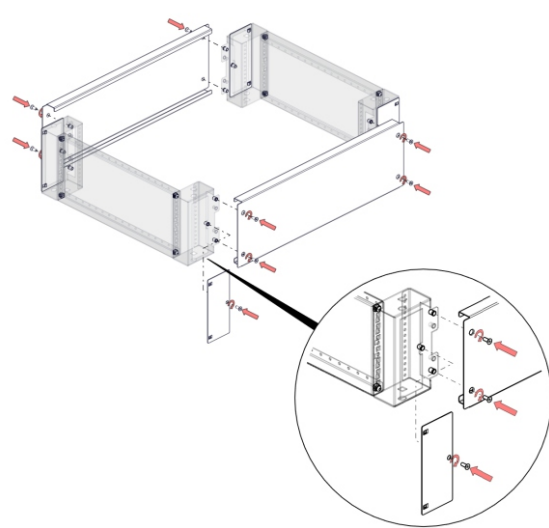
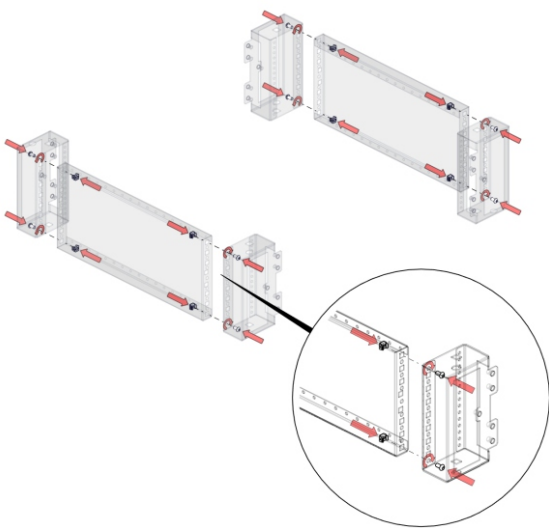
Item 17 (8x)



Item 28 (8x)



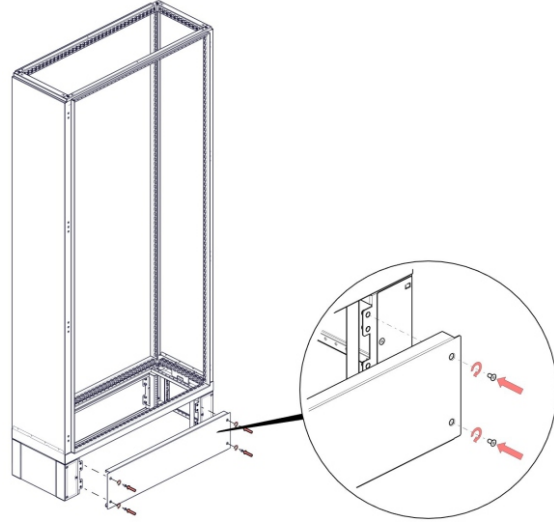
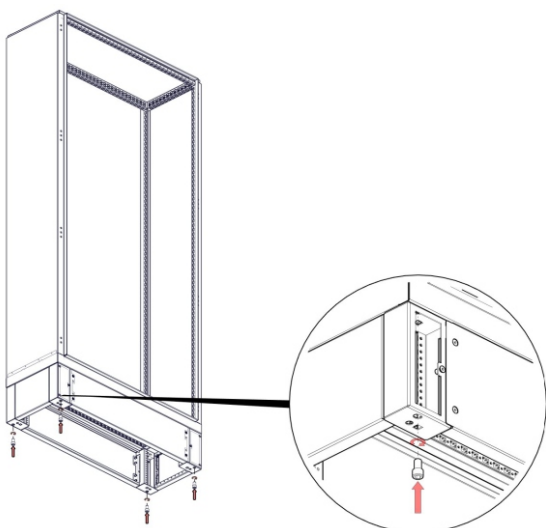
Item 6 (12x)



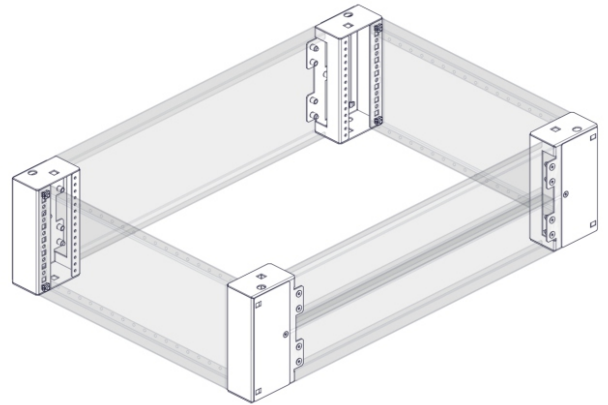
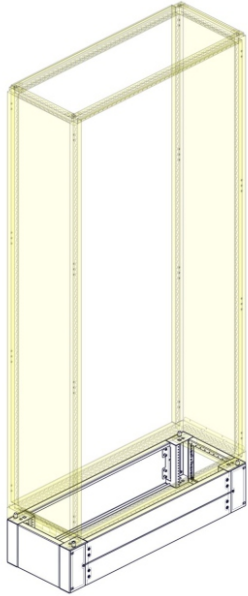
Item 22 (4x)



Item 6 (8x)



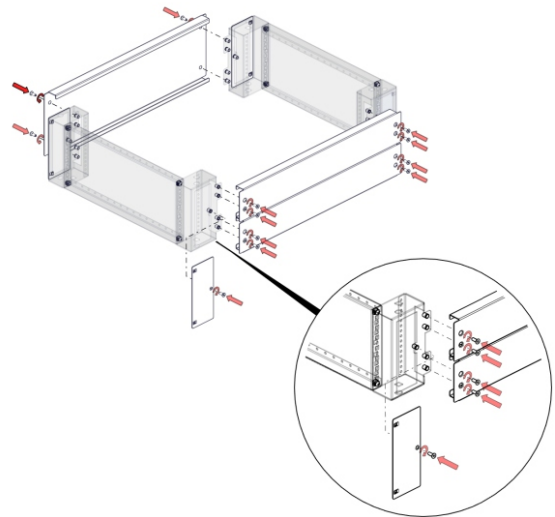
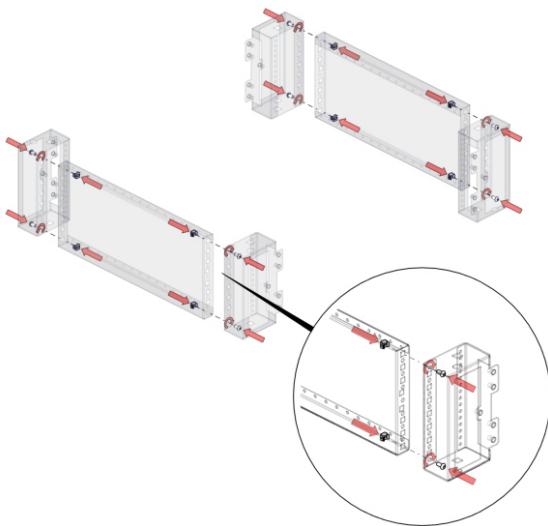
J



Item 17 (8x)
● SW 4

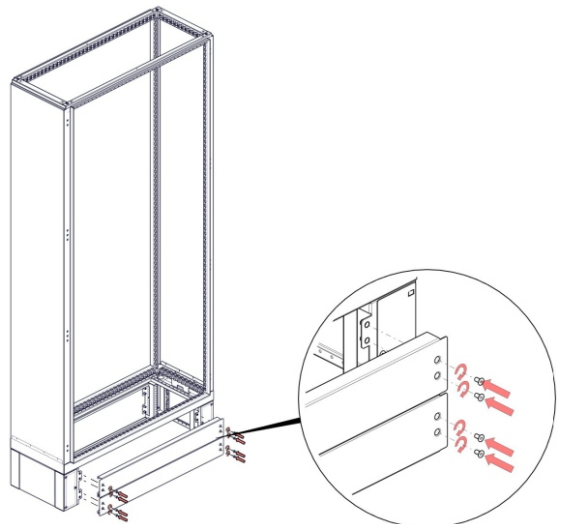
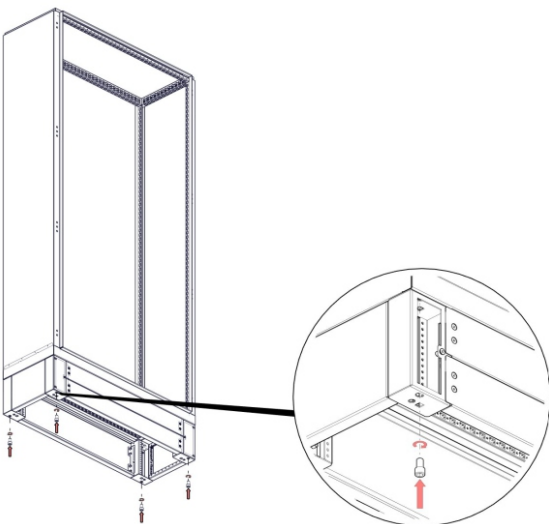
Item 28 (8x)
M6

Item 6 (16x)
● TX 30

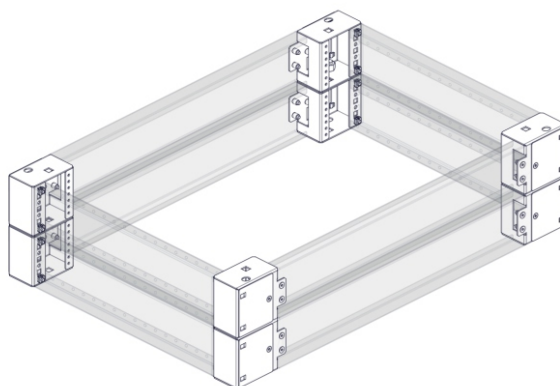
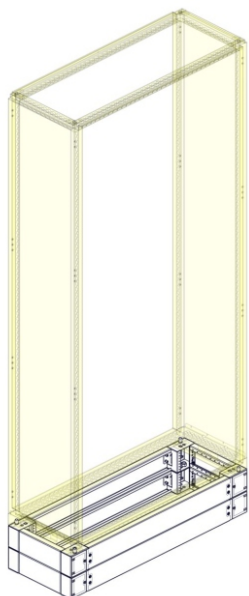


Item 22 (4x)
● SW 10

Item 6 (12x)
● TX 30



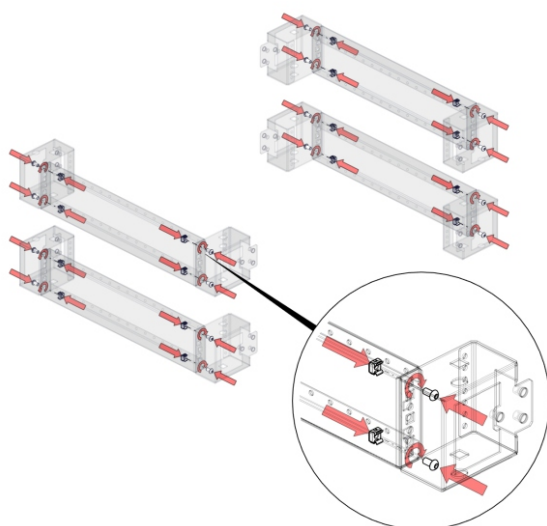
K



Item 17 (16x)



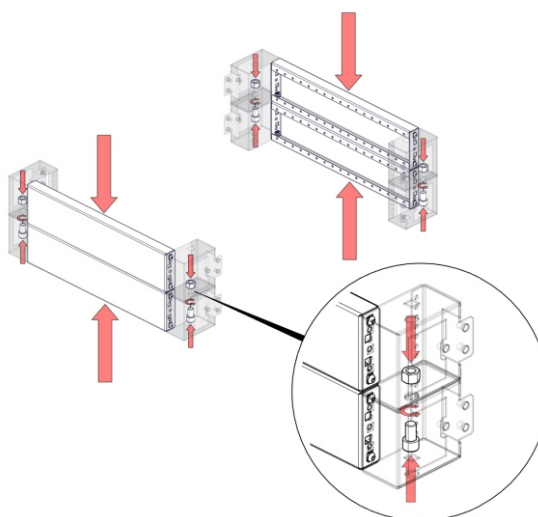
Item 28 (16x)



Item 22 (4x)



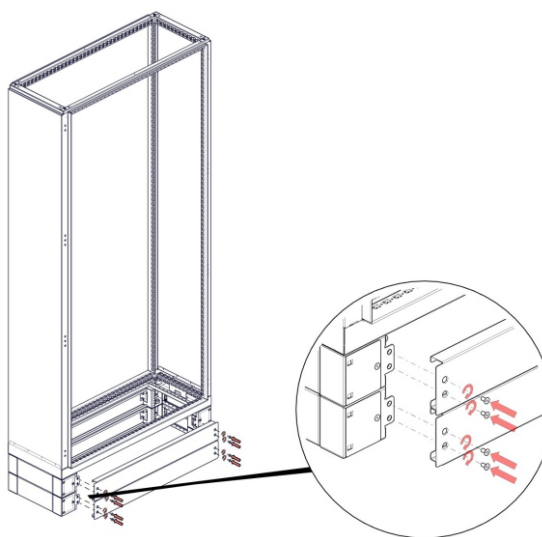
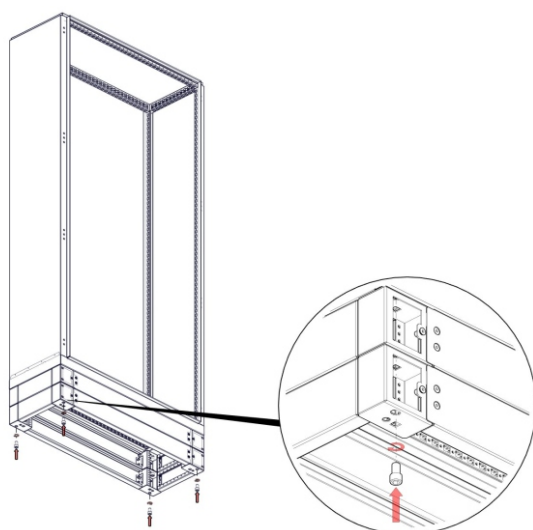
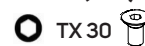
Item 30 (4x)

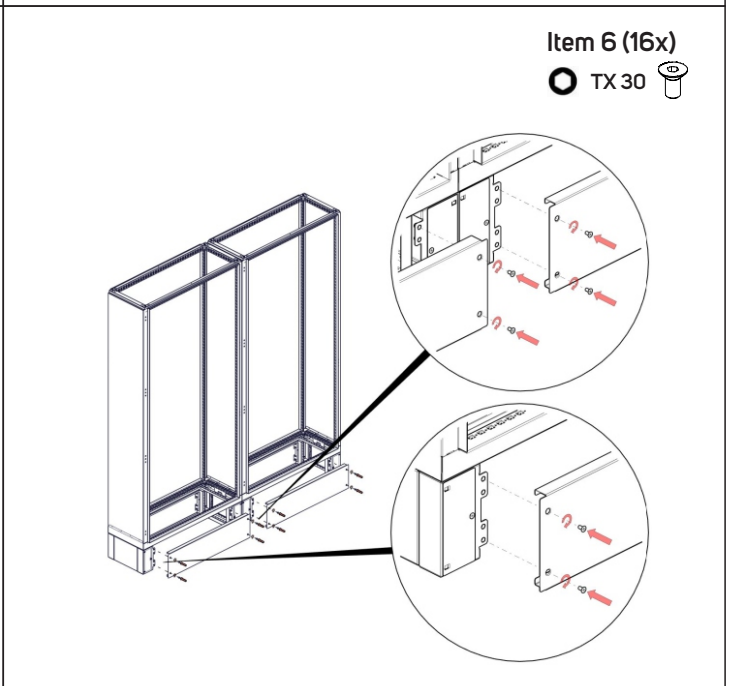
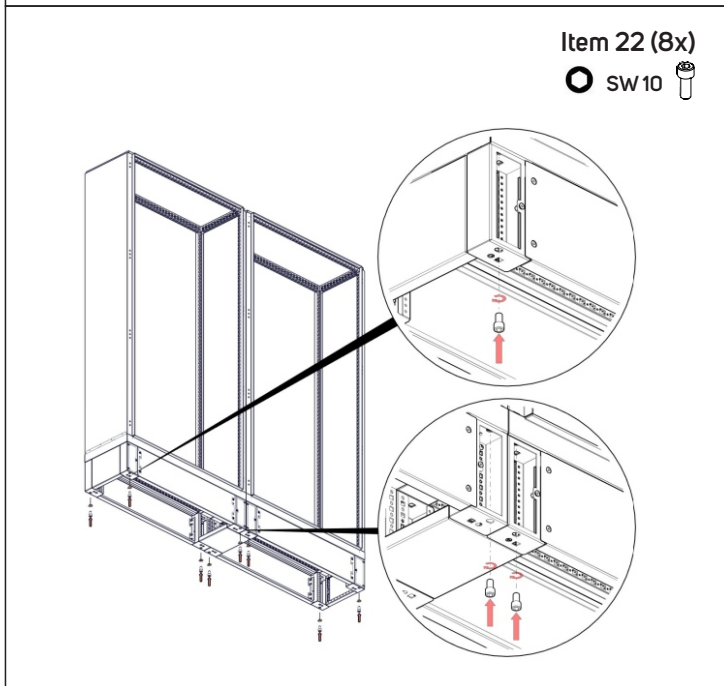
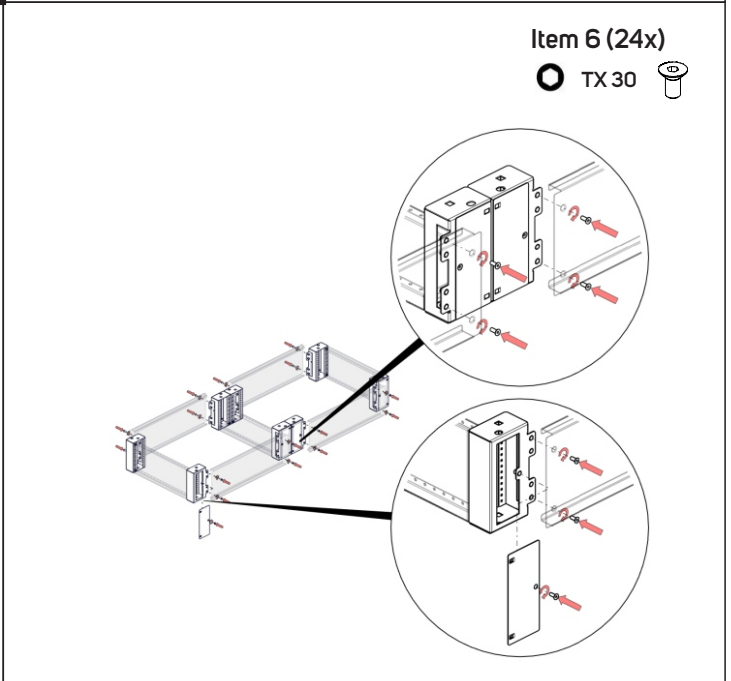
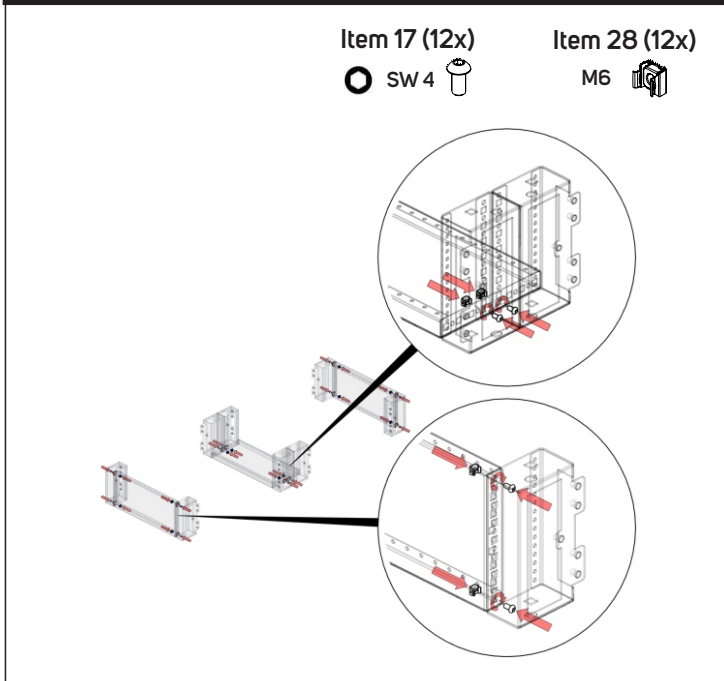
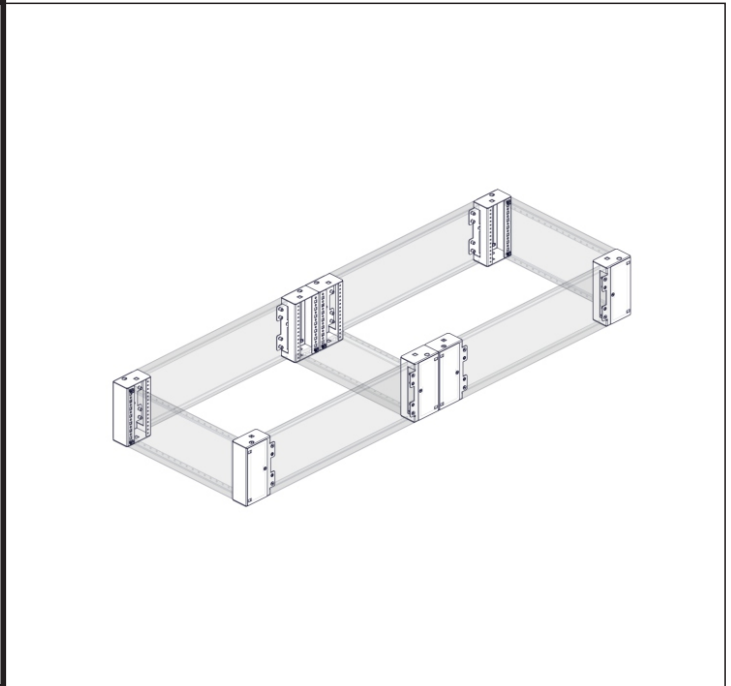
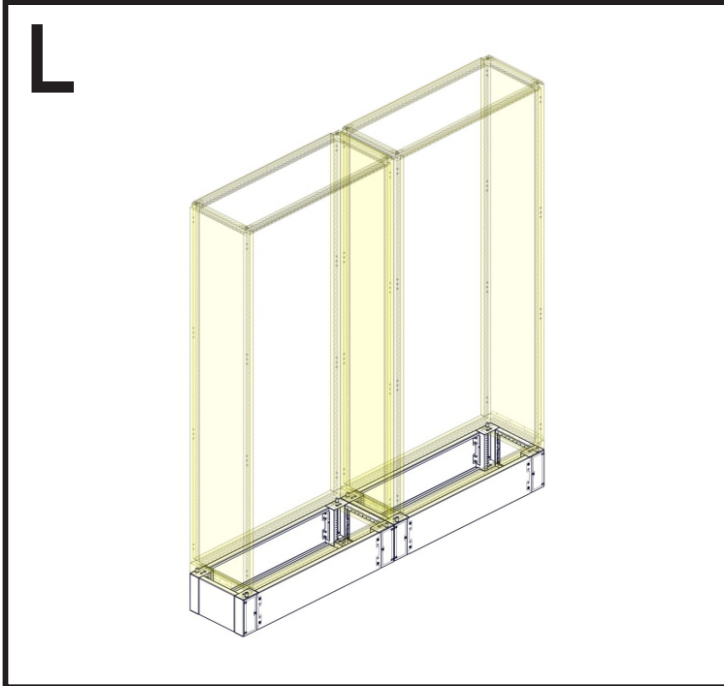


Item 22 (4x)

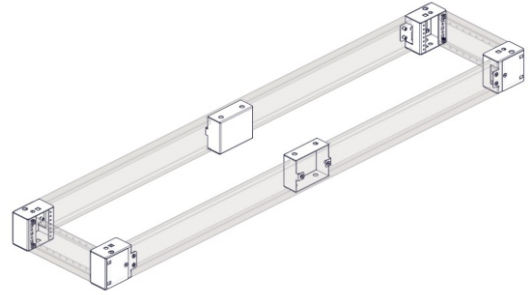
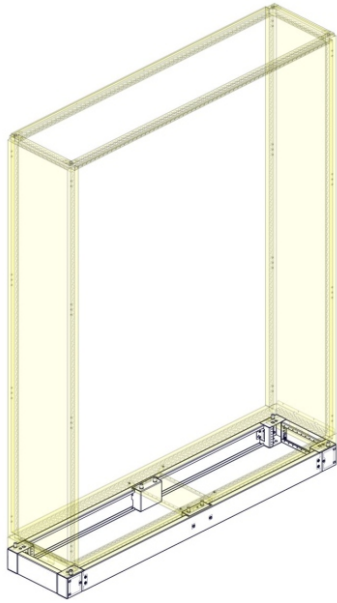


Item 6 (16x)





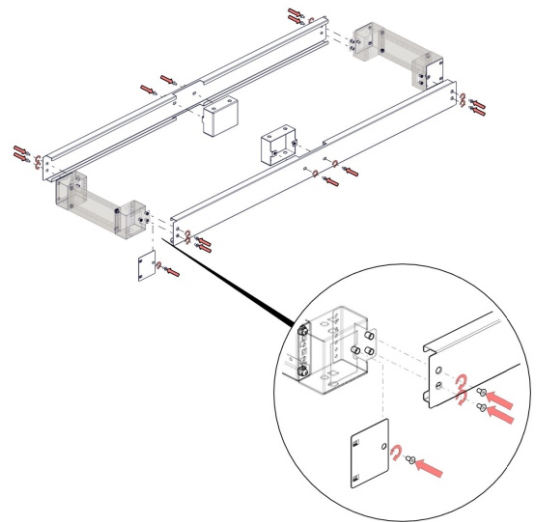
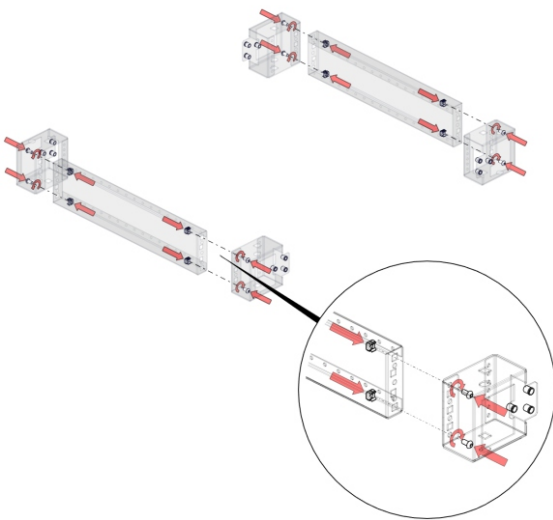
M



Item 17 (8x)
● SW 4

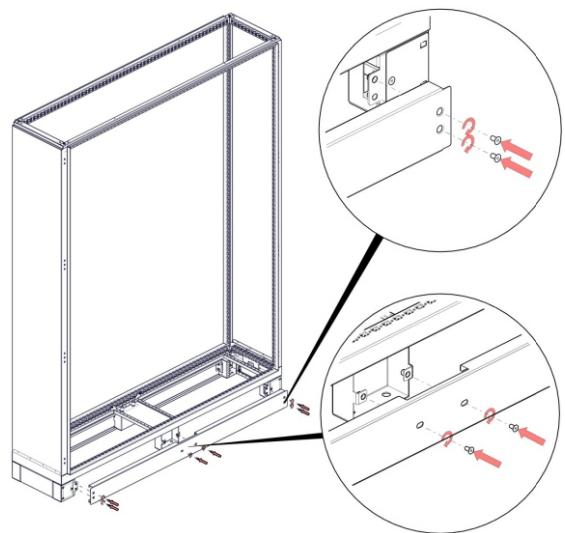
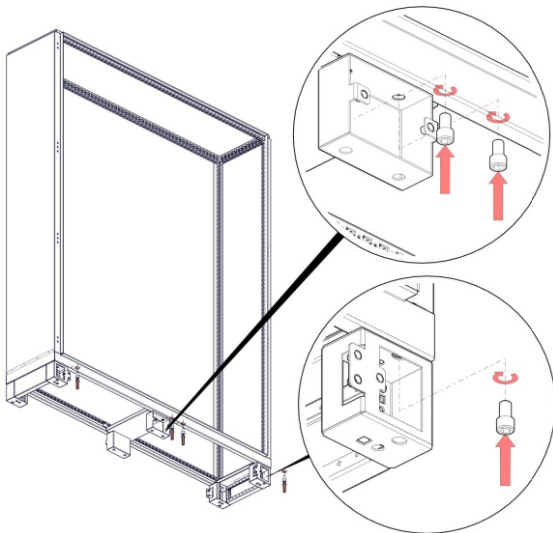
Item 28 (8x)
M6

Item 6 (16x)
● TX 30

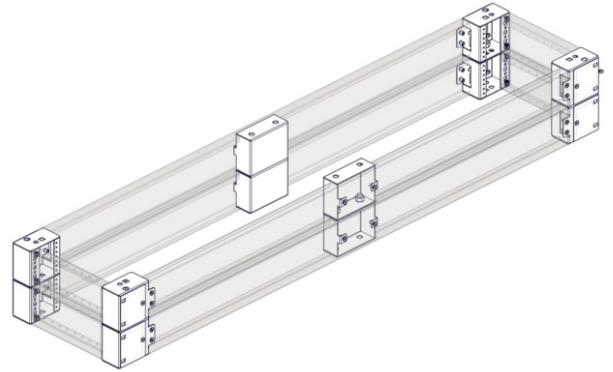
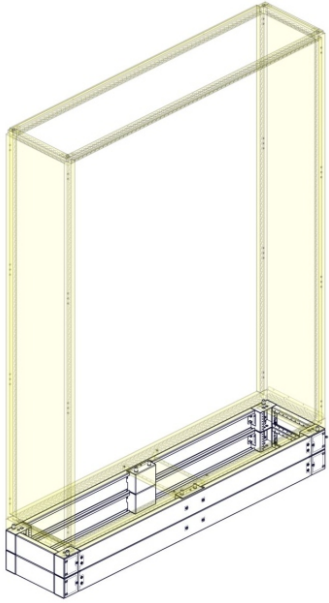


Item 22 (10x)
● SW 10

Item 6 (12x)
● TX 30



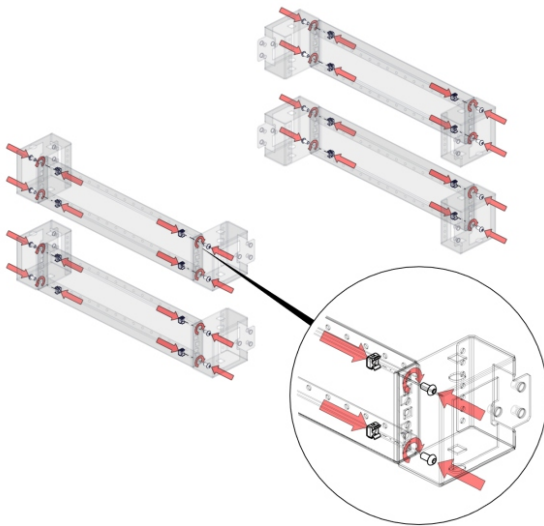
N



Item 17 (16x)



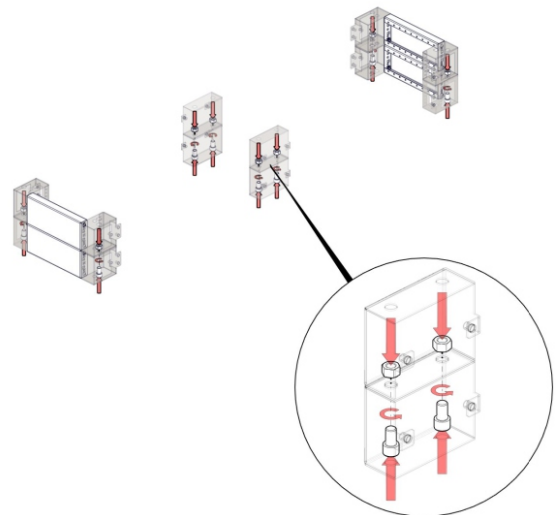
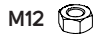
Item 28 (16x)



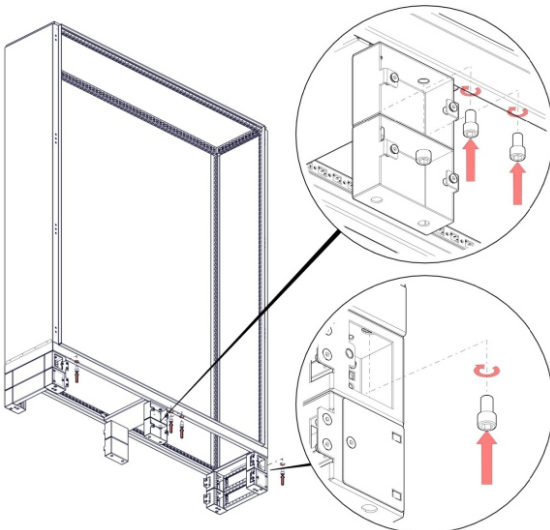
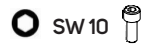
Item 22 (8x)



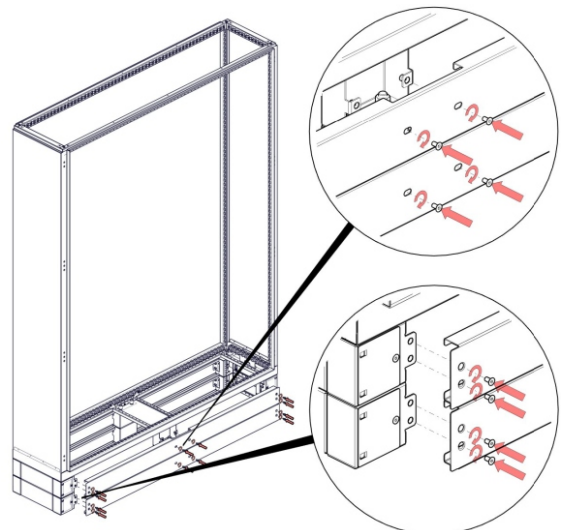
Item 30 (8x)

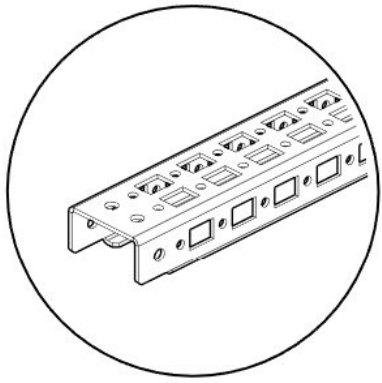


Item 22 (8x)

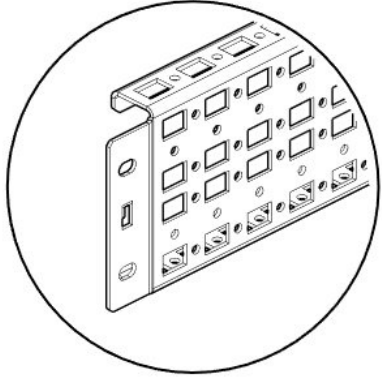


Item 6 (24x)

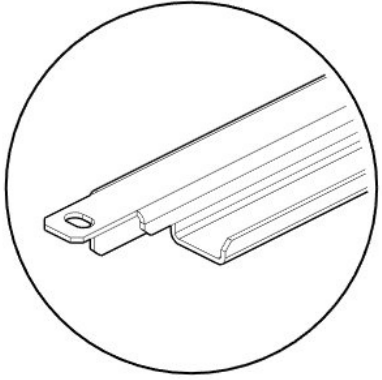




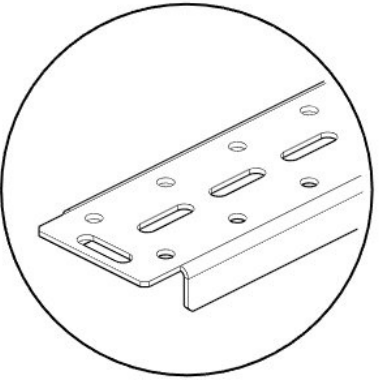
ACCLFxxx



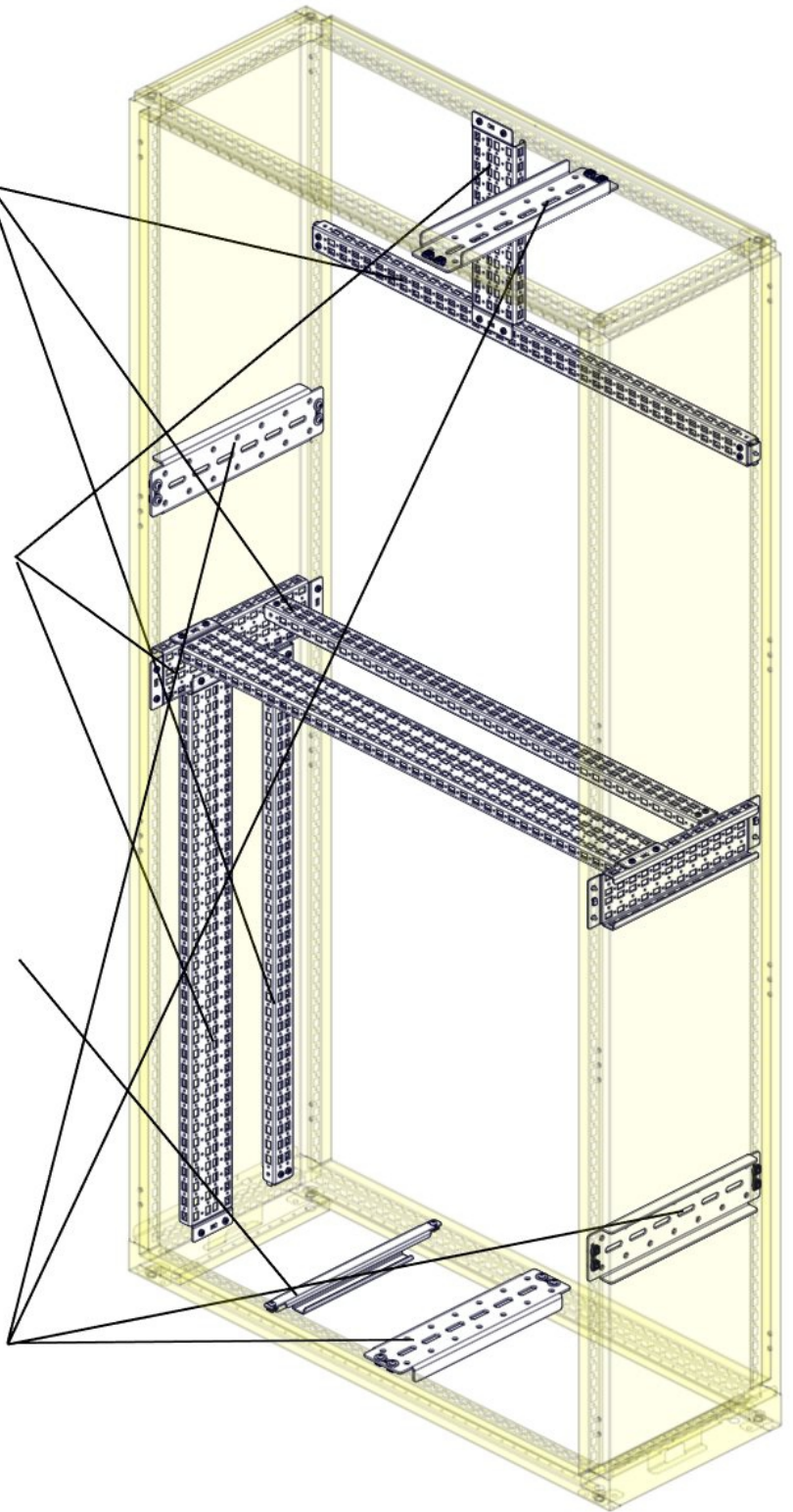
ACCLCxxx



ACCAPxxx

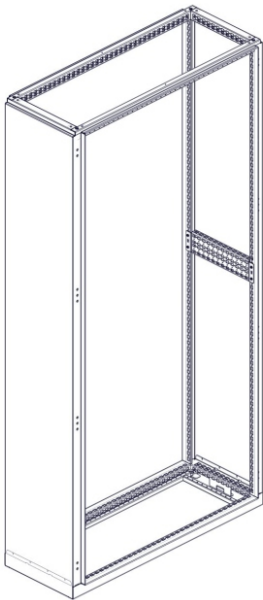
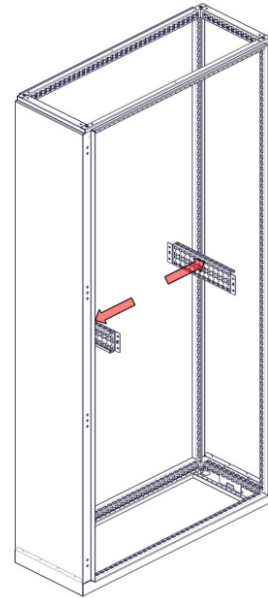
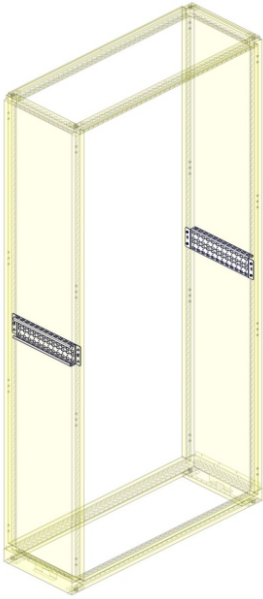


ACCLHxxx

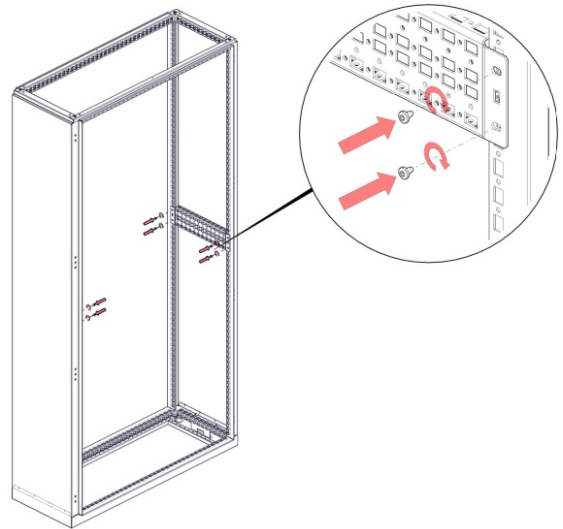


O

ACCLCxxx

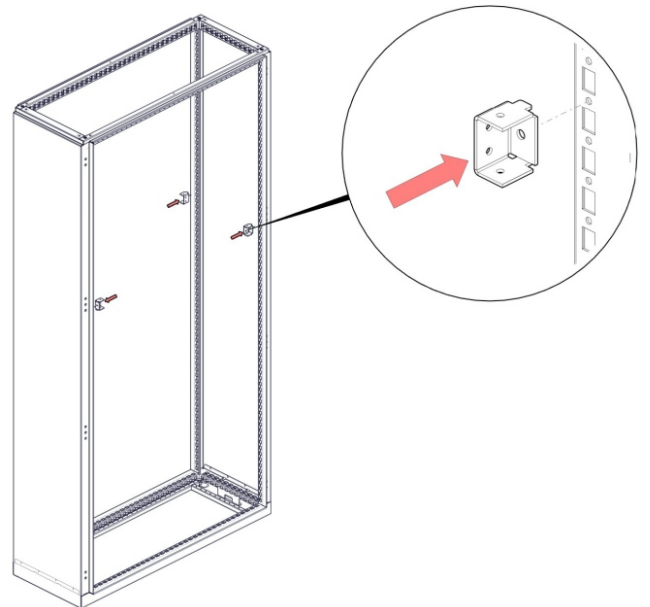
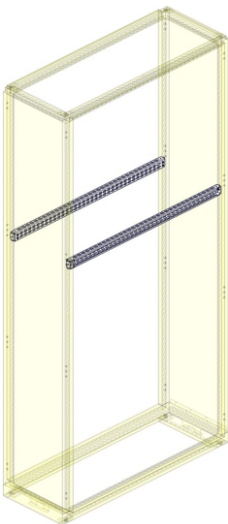


Item 4 (8x)

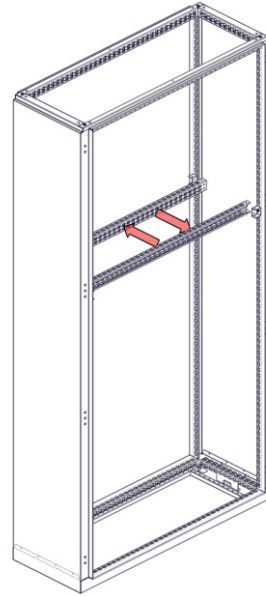
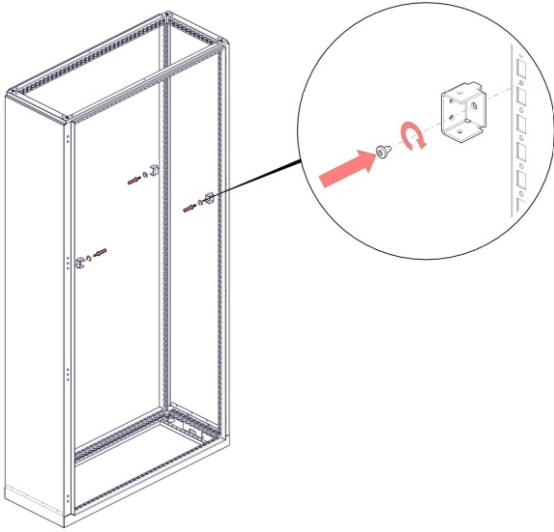


P

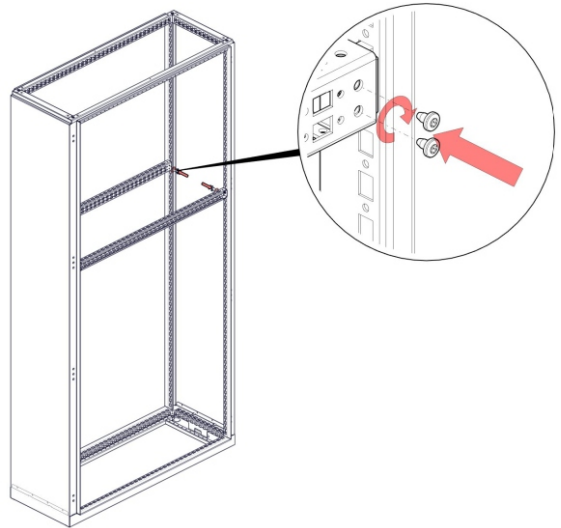
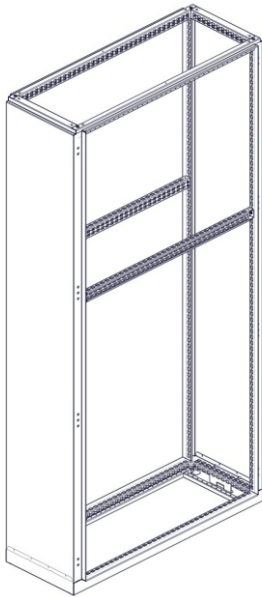
ACCLFxxx



Item 4 (4x)
TX 25

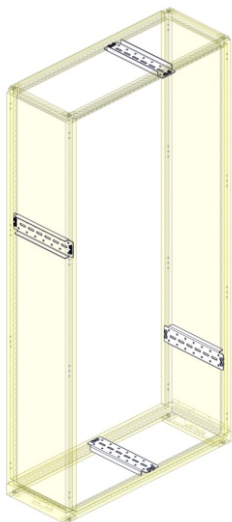


Item 4 (8x)
TX 25

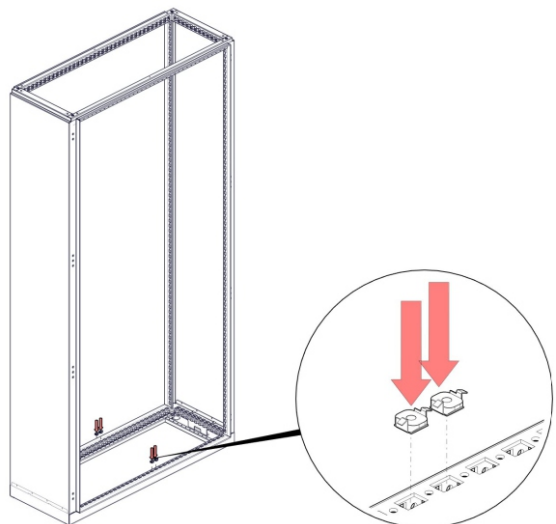


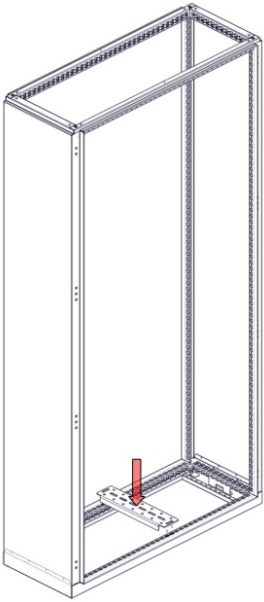
Q

ACCLHxxx



Item 28 (4x)
M6

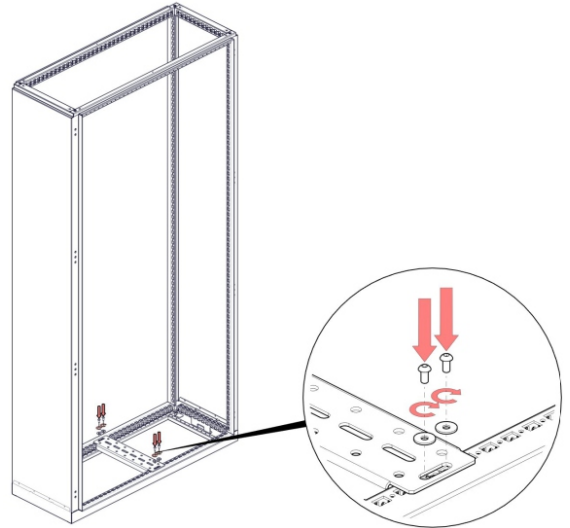




Item 13 (4x)

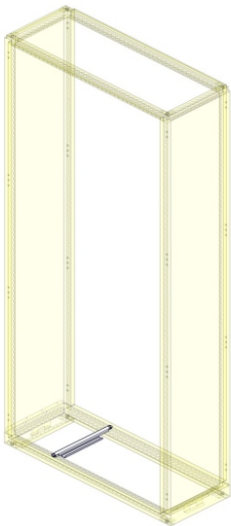


Item 17 (4x)



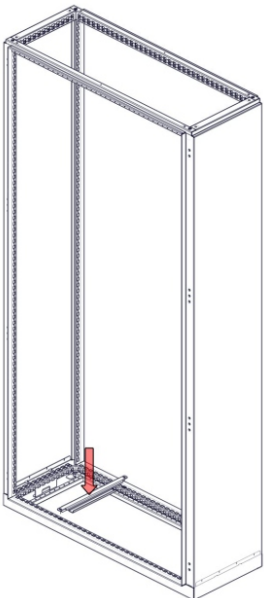
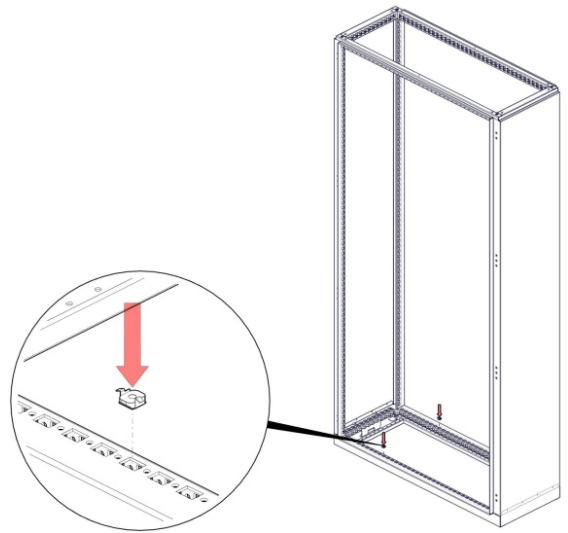
R

ACCAPxxx

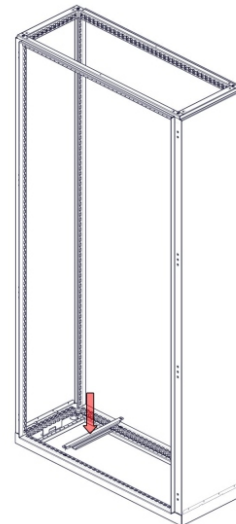


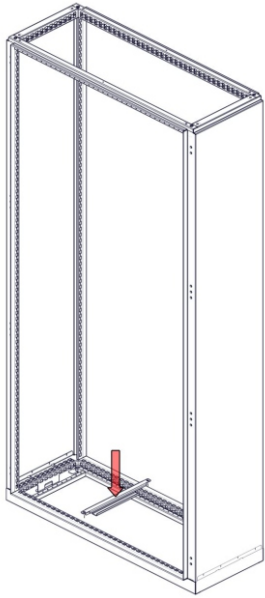
Item 2 (2x)

M6

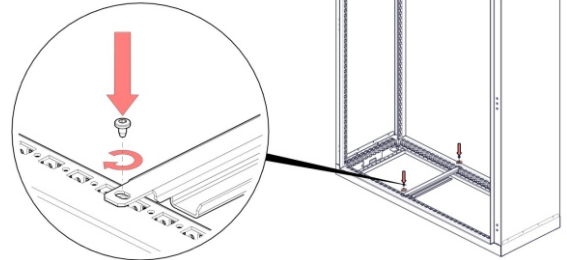


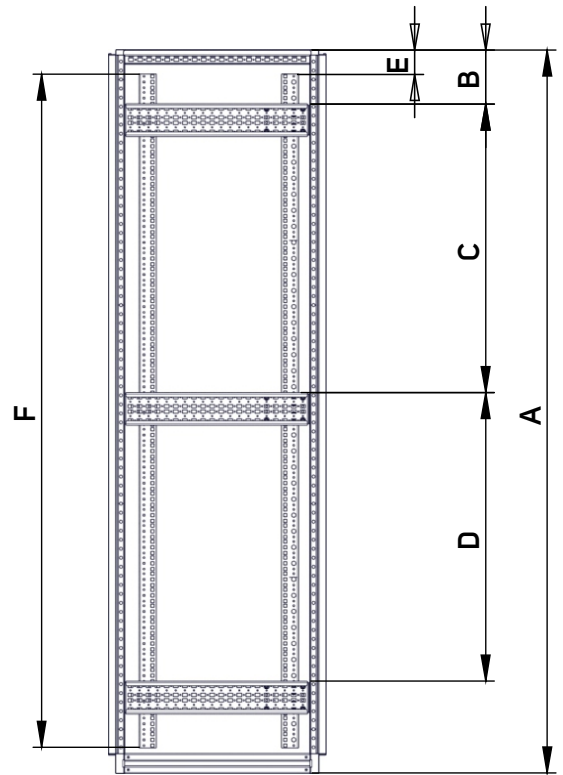
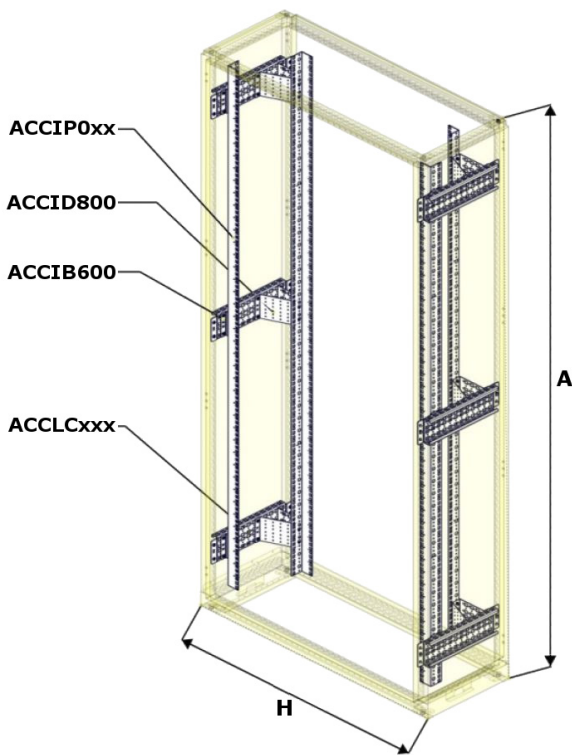
Item 17 (2x)





Item 4 (2x)





Artikel / Article	AxH [mm]	A [mm]	B [mm]	C [mm]	D [mm]	E [mm]	F [mm]
ACCIP036	1800x600	1800	100	700	800	95	1600
ACCIP042	2000x600	2000	150	800	800	67	1867

ACCIB600

12x M5x8 ISO 7380,Zn



24x M6



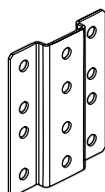
24x M6x12 ISO 7380,Zn



24x M5x9 Fastite,Zn



6x



ACCID800

12x M5x8 ISO 7380,Zn



24x M6



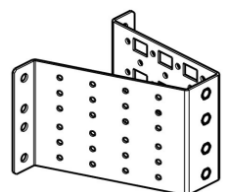
24x M6x12 ISO 7380,Zn



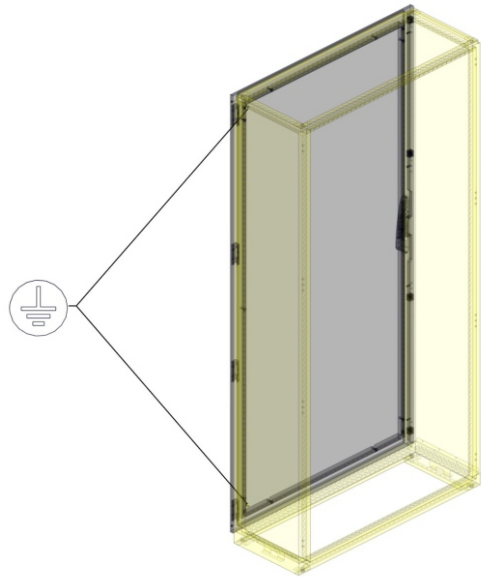
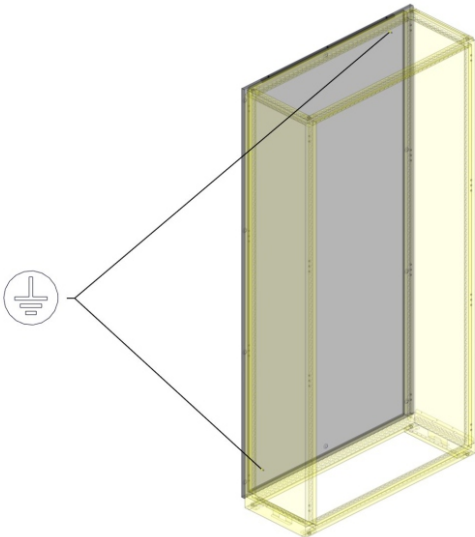
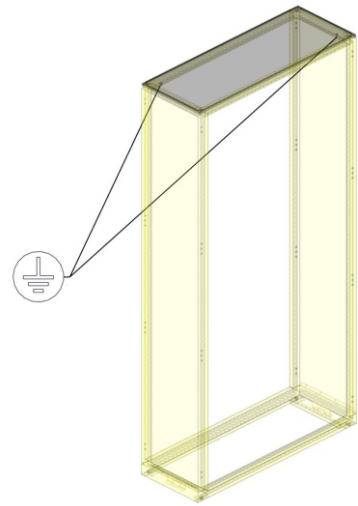
24x M5x9 Fastite,Zn





6x




S






Item 42 (1x)
M8 

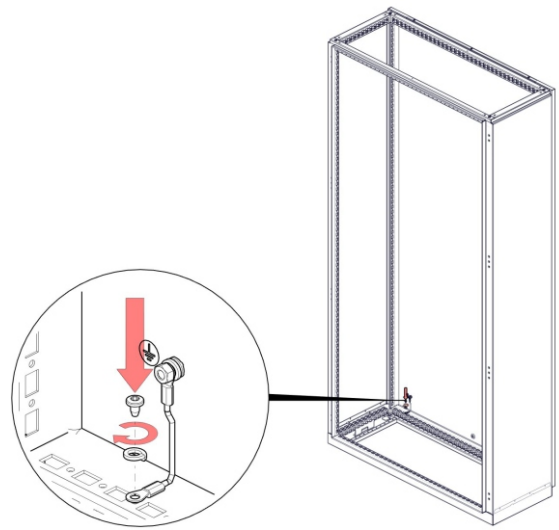
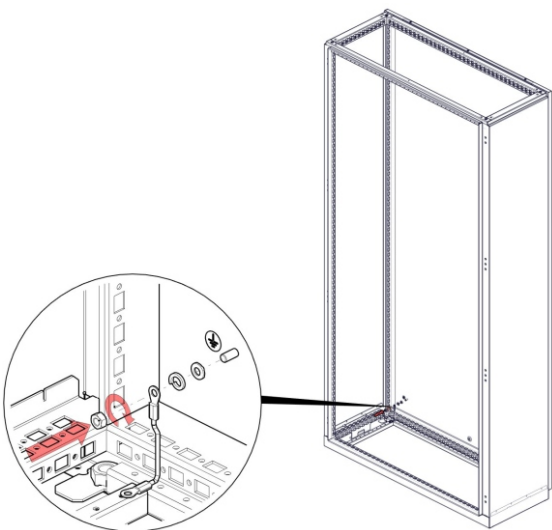
Item 50 (1x)
M8 

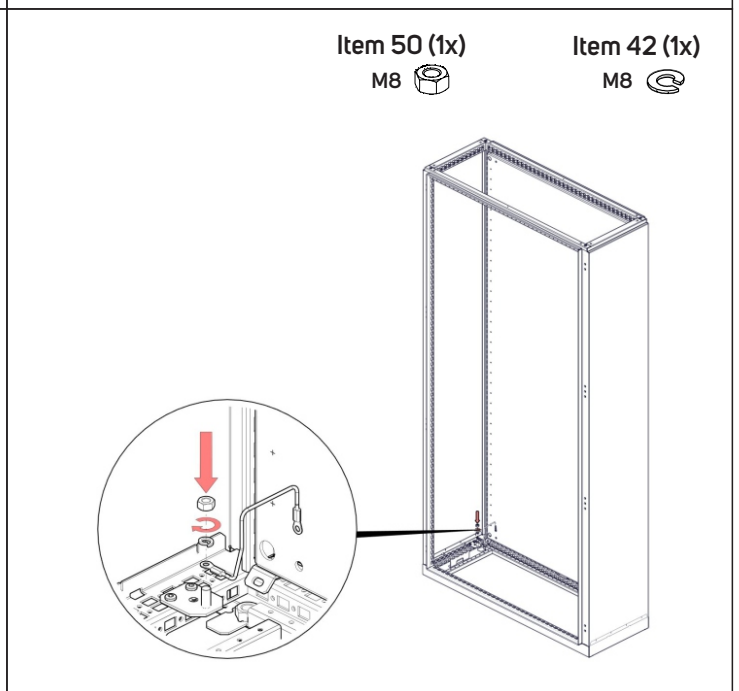
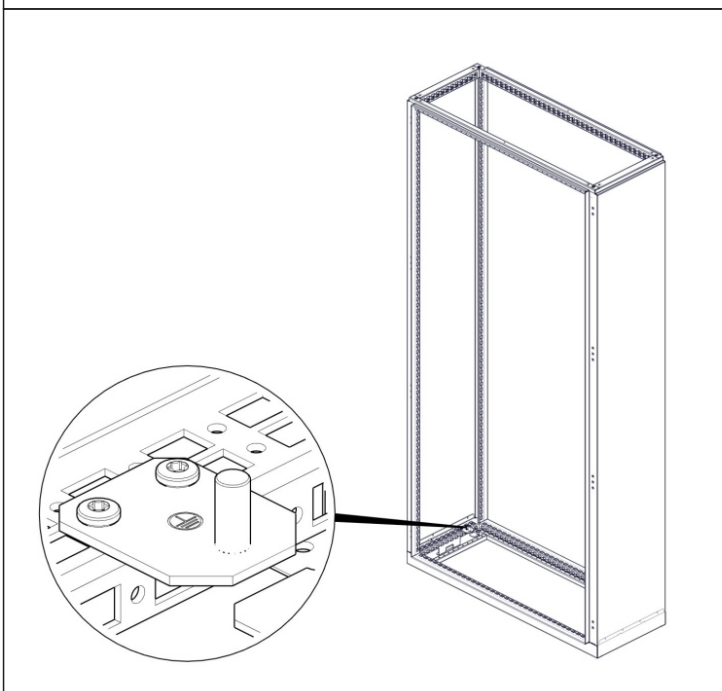
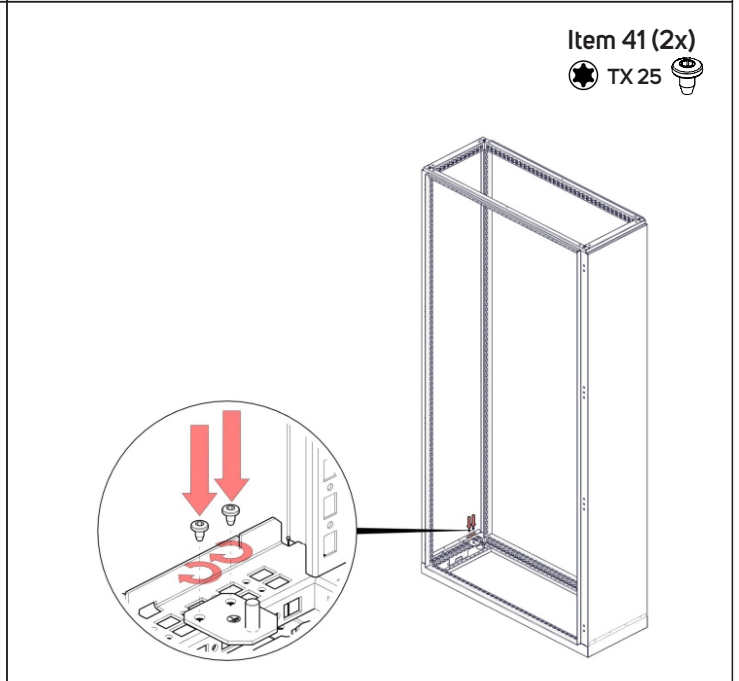
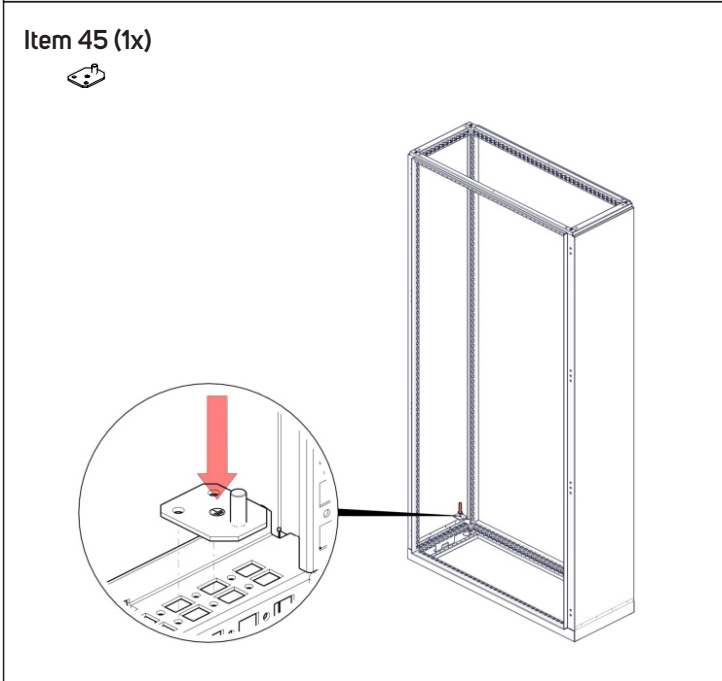
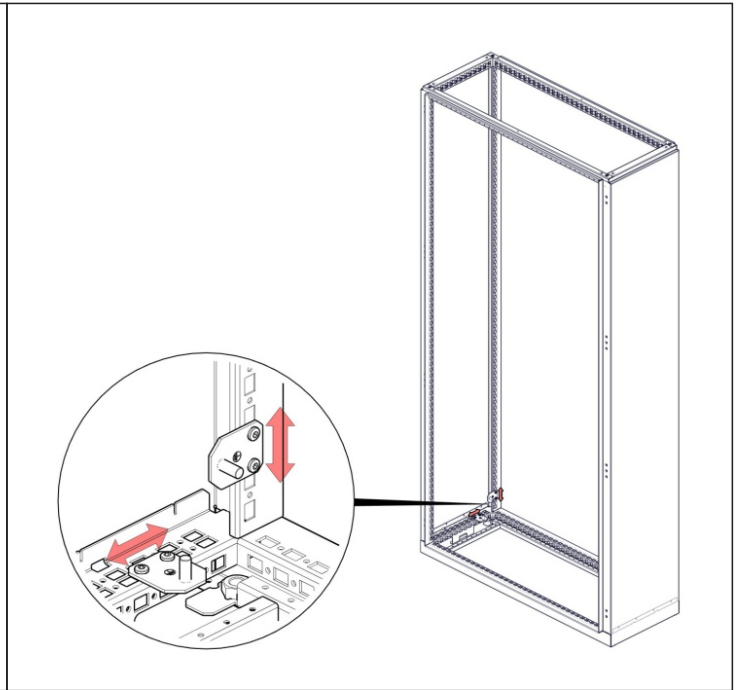
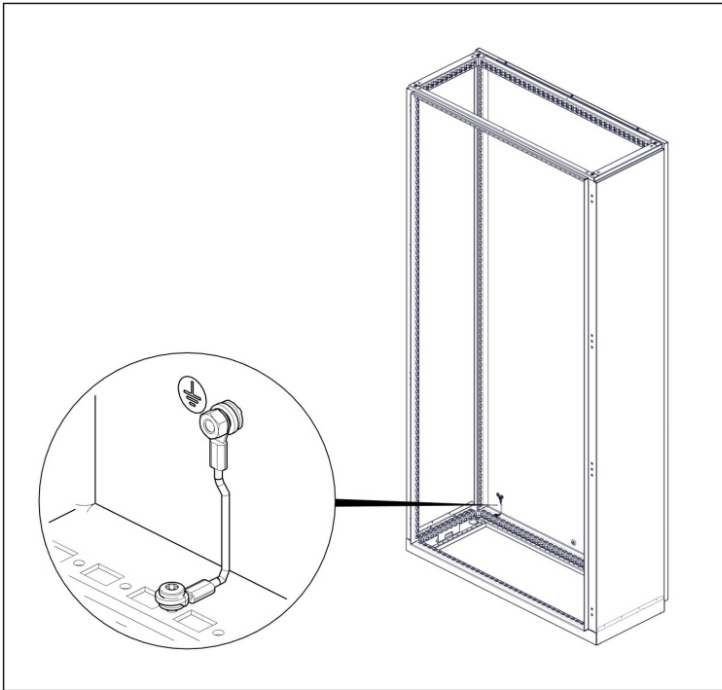
Item 40 (1x)



Item 43 (1x)
M8 


Item 44 (1x)
M5 

Item 41 (2x)
 TX 25 

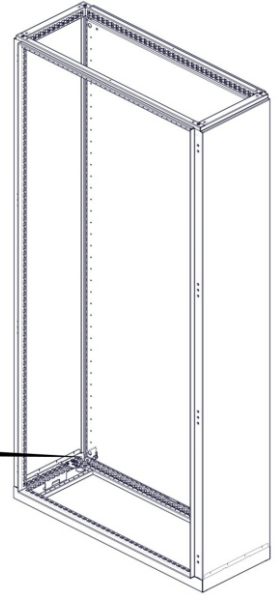
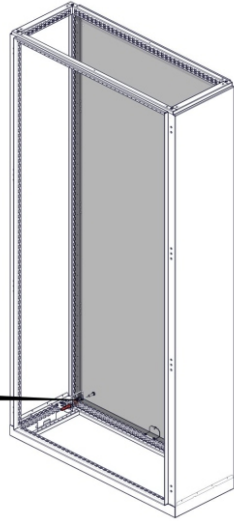
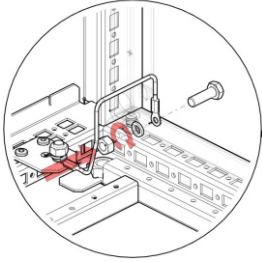




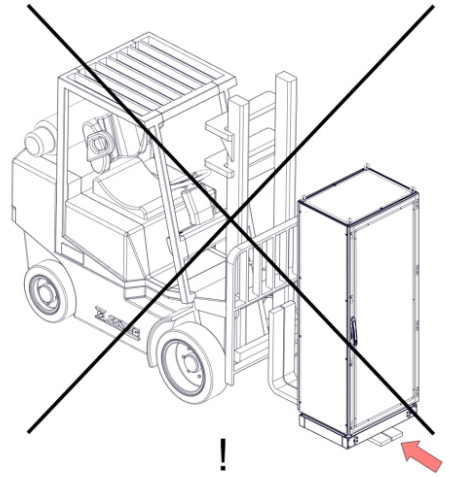
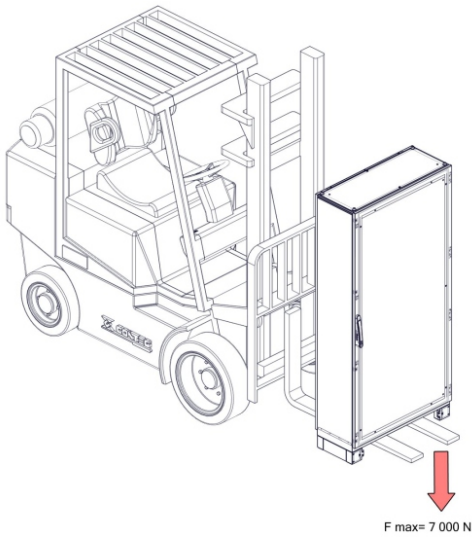
Item 50 (1x)
M8 

Item 42 (1x)
M8 

Item 51 (1x)
 SW 8



T



ACLE9301

F max= 7 000 N



ACLE9301



THE COMPANY

HEADQUARTERS

SCHRACK TECHNIK GMBH

Seybelgasse 13, 1230 Vienna
PHONE +43(0)1/866 85-5900
FAX +43(0)1/866 85-98800
E-MAIL info@schrack.at

SCHRACK SUBSIDIARIES

BELGIUM

SCHRACK TECHNIK B.V.B.A
Twaalfapostelenstraat 14
BE-9051 St-Denijs-Westrem
PHONE +32 9/384 79 92
FAX +32 9/384 87 69
E-MAIL info@schrack.be

BOSNIA-HERZEGOVINA

SCHRACK TECHNIK BH D.O.O.
Put za aluminijski kombinat bb
BH-88000 Mostar
PHONE +387/36 333 666
FAX +387/36 333 667
E-MAIL schrack@schrack.ba

BULGARIA

SCHRACK TECHNIK EOOD
Prof. Tsvetan Lazarov 162
Druzhba - 2
BG-1582 Sofia
PHONE +359 2/890 79 13
FAX +359 2/890 79 30
E-MAIL sofia@schrack.bg

CROATIA

SCHRACK TECHNIK D.O.O.
Zavrtnica 17
HR-10000 Zagreb
PHONE +385 1/605 55 00
FAX +385 1/605 55 66
E-MAIL schrack@schrack.hr

CZECH REPUBLIC

SCHRACK TECHNIK SPOL. SR.O.
Dolnomecholupska 2
CZ-10200 Praha 10 – Hostivar
PHONE +420 (0)2/810 08 264
FAX +420 (0)2/810 08 462
E-MAIL paha@schrack.cz

HUNGARY

SCHRACK TECHNIK KFT.
Vidor u. 5
H-1172 Budapest
PHONE +36 1/253 14 01
FAX +36 1/253 14 91
E-MAIL schrack@schrack.hu

GERMANY

SCHRACK TECHNIK GMBH
Thomas-Wimmer-Ring 17
D-80539 Munich
PHONE +49 89/999 533 900
FAX +49 89/999 533 902
E-MAIL info@schrack-technik.de

POLAND

SCHRACK TECHNIK POLSKA
SP.ZO.O.
ul. Staniewicka 5
PL-03-310 Warszawa
PHONE +48 22/205 31 00
FAX +48 22/205 31 01
E-MAIL kontakt@schrack.pl

ROMANIA

SCHRACK TECHNIK SRL
B-dul lului Maniu nr 453-457, sect. 6
RO-061101 Bucharest
PHONE +40 21/317 02 35 42
FAX +40 21/317 02 62
E-MAIL bucuresti@schrack.ro

SERBIA

SCHRACK TECHNIK D.O.O.
Bulevar Peka Dapčevića 42
RS-11000 Beograd
PHONE +38 1/11 309 2600
FAX +38 1/11 309 2620
E-MAIL office@schrack.rs

SLOVAKIA

SCHRACK TECHNIK S.R.O.
Ivanská cesta 10/C
SK-82104 Bratislava
PHONE +421 (02)/491 081 01
FAX +421 (02)/491 081 99
E-MAIL info@schrack.sk

SLOVENIA

SCHRACK TECHNIK D.O.O.
Pameče 175
SLO-2380 Slovenj Gradec
PHONE +38 6/2 883 92 00
FAX +38 6/2 884 34 71
E-MAIL schrack.sg@schrack.si

