

DATA SHEET: FILTERFAN IUKNF3523A / EXHAUST FILTER IUKNE350



SCHRACK-INFO

- Installation size 3, air flow rate up to 125 m³/h
- System of protection IP 54, NEMA type 12
- UL, cUL approval

TECHNICAL DATA

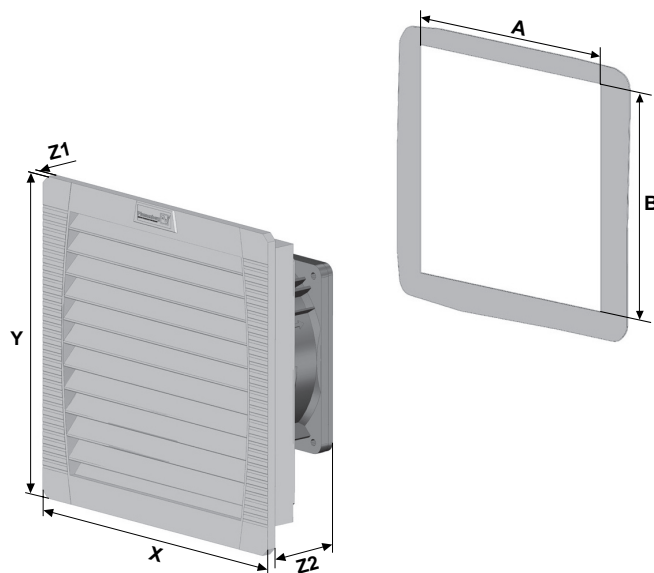
Rated voltage ± 10%	AC 50 Hz / 60 Hz DC, 230 V
Unimpeded airflow	110 / 125 m ³ /h
Airflow rate in combination (IUKNF3523A + IUKNE350)	82 / 93 m ³ /h
Power consumption	19 / 18 W
Current consumption	0,12 / 0,18 A
Noise level acc. to EN ISO 3741	40 / 40 dB (A)
Weight	0,87 kg
Type of connection	terminal strip
Fuse	6 A
System of protection acc. to EN 60529 / UL 50	NEMA type 12 - standard filter
Filtration efficiency	88 %
Filter mat quality class acc. to DIN EN 779	G 3
Duty cycle	100 %
Bearing type	sleeve bearing
Service life L ₁₀ (+ 40 °C) ¹	37500 h
Temperature range	- 15 ... + 55 °C
Design (housing and protection against accidental contact)	made of injection-moulded thermoplastic, self-extinguishing, UL 94 VO
Colour	RAL 7035, different colours available on request

¹ Fan failure is defined as being when the current and speed deviate or the operating noises are out of the ordinary.

DIMENSIONS

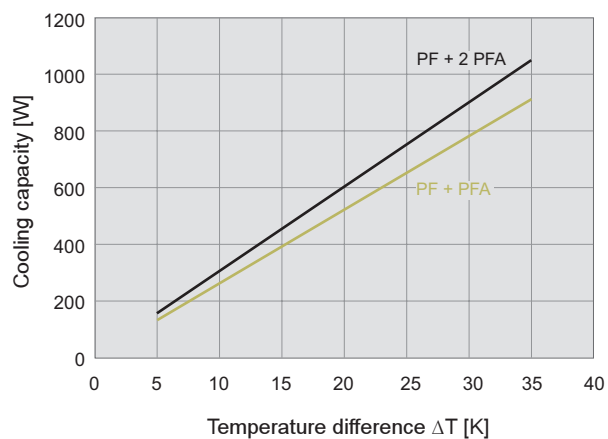
mm	IUKNF3523A		IUKNE350
	AC	DC	
X	202	202	202
Y	202	202	202
Z1	6	6	6
Z2	87	81	34
A ¹	177	177	177
B ¹	177	177	177

¹ for material thicknesses up to 2 mm
+ 1 mm for thickness of material > 2 mm ≤ 3 mm

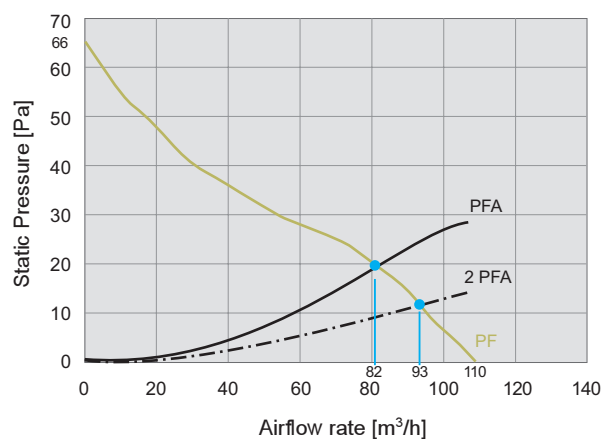


PERFORMANCE CURVES

COOLING CAPACITY PERFORMANCE CURVES



STATIC PRESSURE PERFORMANCE CURVES



DESCRIPTION

Filterfan

ORDER NO.

IUKNF3523A

ACCESSORIES

Exhaust filter

IUKNE350