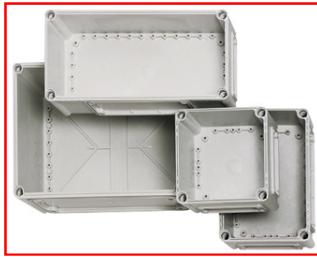


## ■ DATASHEET: IG700202 BASE WITH EMBOSSING FLANGES TYPE C

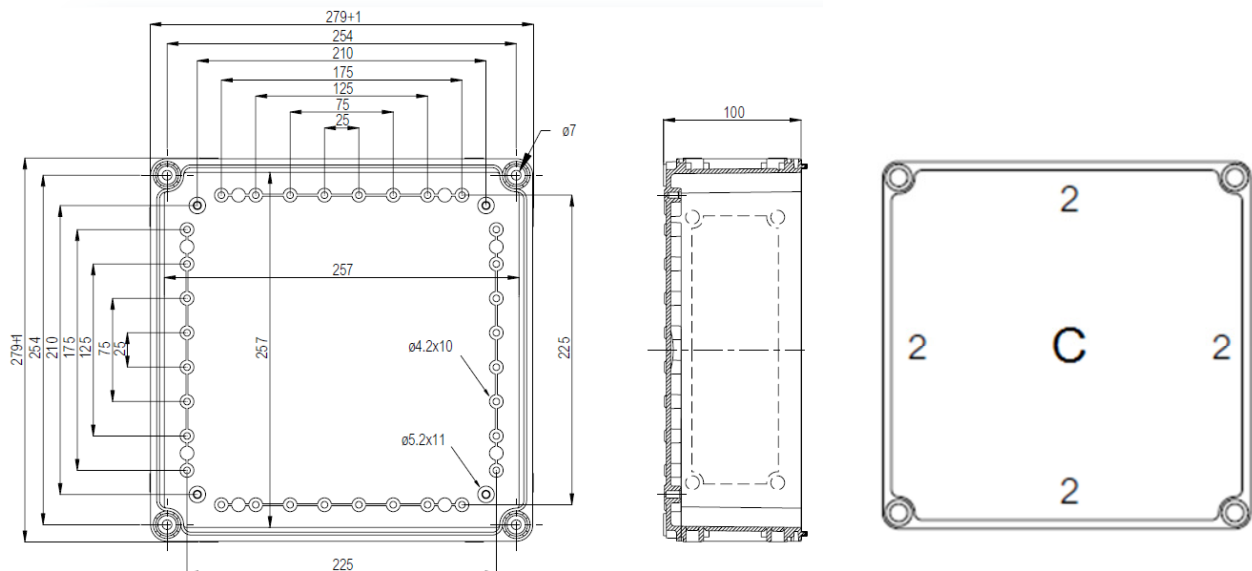


- **SCHRACK INFO**  
Including: Flanged - Base with screws for mounting plate / DIN - rail, cover with PUR gasket and polyamide cover screws.

### ■ TECHNICAL DATA

Material:	Polycarbonate
Cover screws material:	Polyamide
Sealing:	Polyurethane
Protection:	IP 66/67
Impact resistance:	IK 08
Electrical insulation:	Totally insulated
Halogen free	Yes
UV resistance:	by UL 508
Temperature range:	-40°C...120°C (short-term) -40°C...80°C (continuous)
Colour:	RAL 7035

### ■ DIMENSIONS



■ LOW COVER 30mm

TYPE	B x H x D (mm)	ORDER NUMBER
C – transparent	280x280x30	IG700211
C – grey	280x280x30	IG700201

■ HIGH COVER 80mm

TYPE	B x H x D (mm)	ORDER NUMBER
C – transparent	280x280x80	IG700231
C – grey	280x280x80	IG700221

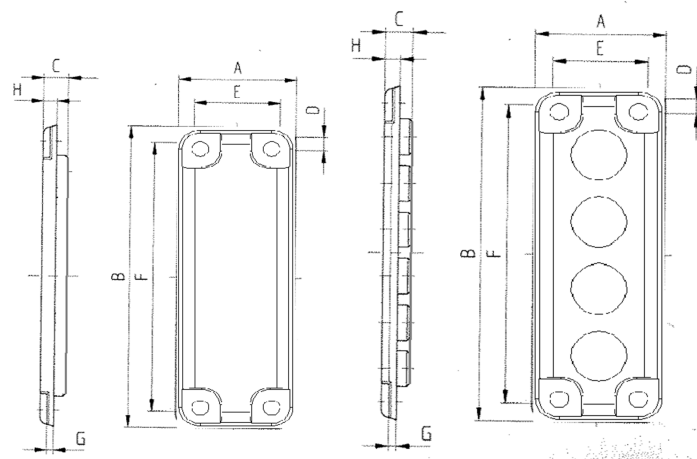
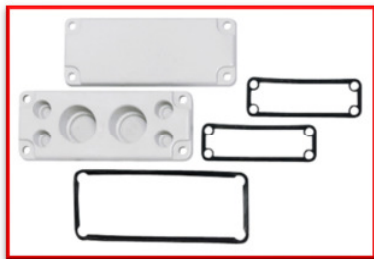
■ EXTENSION

TYPE	B x H x D (mm)	ORDER NUMBER
C	280x280x50	IG710201

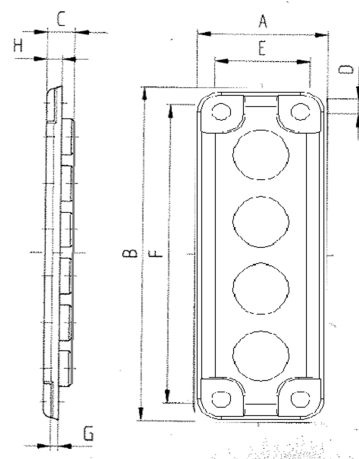
■ MOUNTING PLATE (galvanized steel plate 1.5 mm)

TYPE	B x H (mm)	ORDER NUMBER
C	238x238	IG710202

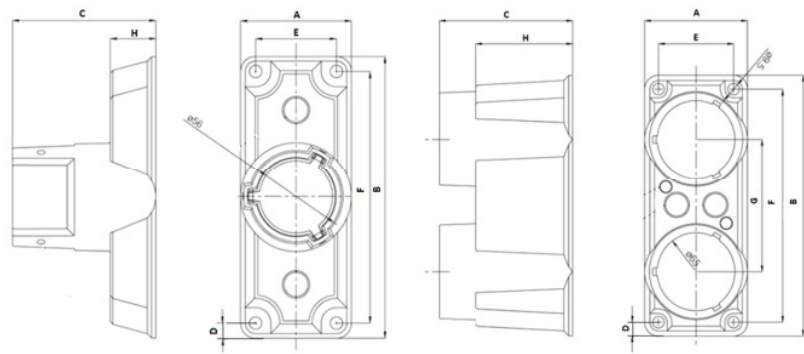
■ FLANGE



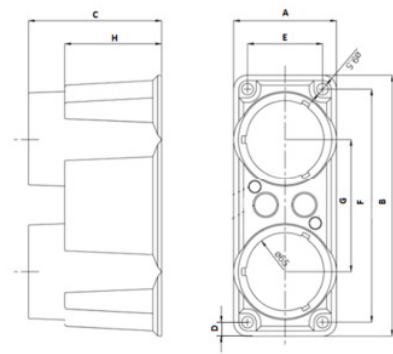
IG712200



Size 2 various embossings



IG712512



IG712516

Art.Nr.	Flange size	Dimensions							
		A	B	C	D	E	F	G	H
IG712200	2	85	216	10	9,5	62	193	5	10
IG712205	2	85	216	20	9,5	62	193	5	10
IG712208	2	85	216	28	9,5	62	193	5	10
IG712210	2	85	216	10	11,5	62	193	-	3
IG712211	2	85	216	10	11,5	62	193	-	3
IG712222	2	85	216	10	9,5	62	193	5	10
IG712223	2	85	216	10	9,5	62	193	5	10
IG712512	2	85	216	110	11,5	62	193	-	35
IG712516	2	85	216	110	11,5	62	193	110	80

DESCRIPTION	ORDERNUMBER
Size II blind	IG712200
Size II 12 x Pg16	IG712205
Size II 4 x Pg21 + 6 x Pg16	IG712208
Size II 8 x M32/20 + 2 x M40/25	IG712210
Size II 2 x M20 + 5 x M25/16	IG712211
Size II 13 x Pg16	IG712222
Size II 4 x PG11/21 + 7 x PG16	IG712223
Cable gland size II 1 x Ø30-60mm	IG712512
Cable gland size II 2 x Ø30-60mm	IG712516

## ■ ACCESSORIES

DESCRIPTION	ORDERNUMBER
Quick locking screw set	IG713000
Pin hinges	IG713001
Connection flange sealent, size 2	IG713003
Special hinges	IG713018
Winged head screw 30mm	IG713025
Winged head screw 80mm	IG713026
Screw for Mounting Kit	IG713027
Slot bolt 30mm	IG713028
Slot bolt 80 mm	IG713029