

DATA SHEET:

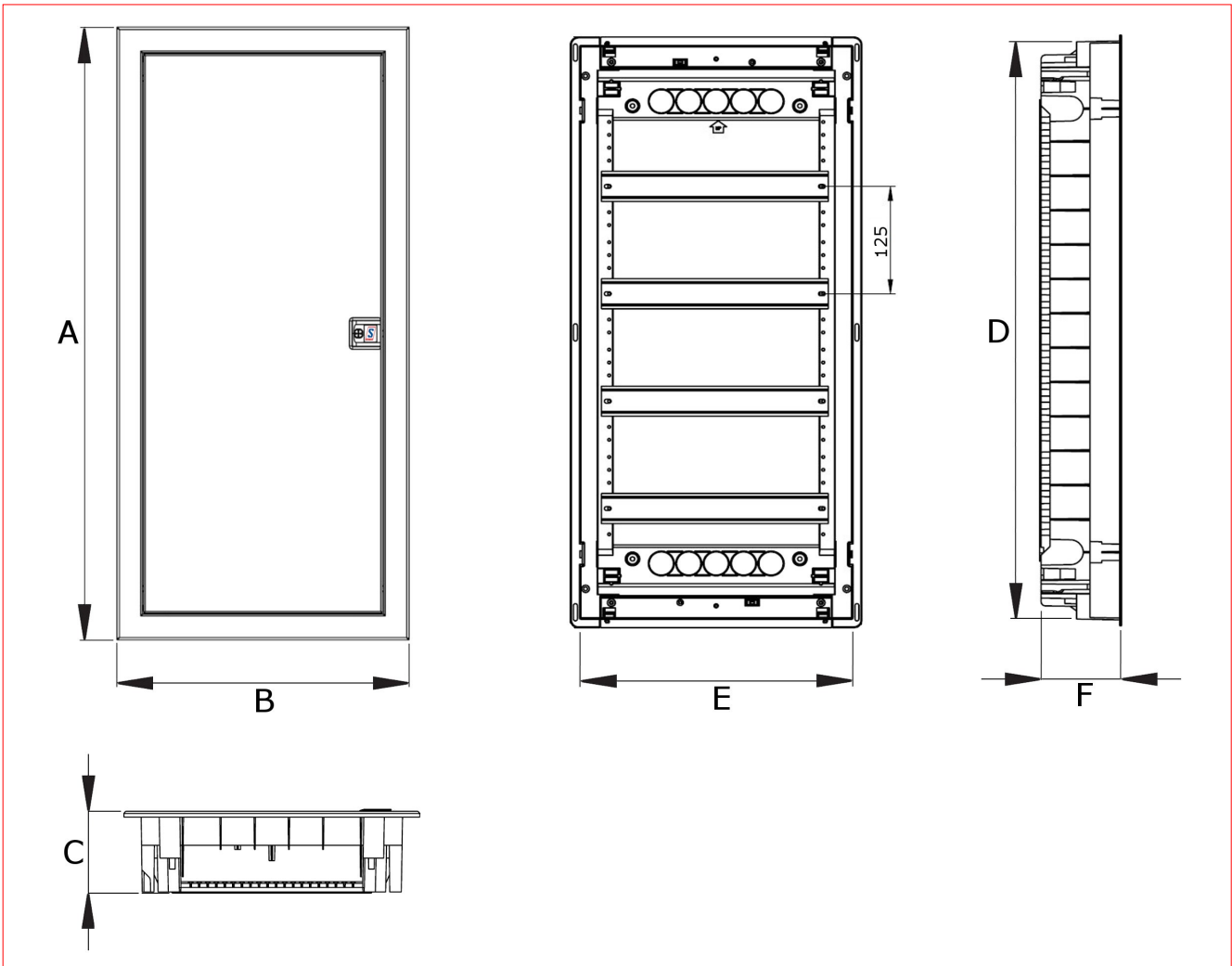
DOMESTIC CONSUMER UNIT ENCLOSURES SERIES AMPARO IP40 WITH SHEET STEEL DOOR



SCHRACK-INFO

- 1- to 5-row enclosures available in solid wall- or partition wall design
- Frame and door in coated sheet steel
- Frame design high (ca. 6 mm)
- 4-point frame fixing for plaster compensation (optionally 6-point frame fixing is possible)
- Module cover and wall box in ABS, halogen free
- Includes N- and PE-screw terminals, door with door clip
- Glow wire test:
  - Resistant to abnormal heat and fire up to 850 °C for partition walls
  - Resistant to abnormal heat and fire up to 650 °C for solid walls
- Mounting bracket:
  - For partition walls (up to 30 mm wall thickness)
  - For solid walls: Dovetail mounting brackets for front or back panel mounting
- Delivery includes: enclosure, device supports, plaster cover, module cover, neutral terminals and conductor terminals, mounting instructions, mounting equipment for partition wall mounting, mounting bracket, self-adhesive labelling sheet with graphic representation (pictograms)
- Wall box brackets horizontal (BK085098) as well as vertical (BK085095) can be obtained as accessory
- Protection class II
- Degree of protection IP40
- RAL9003 signal white

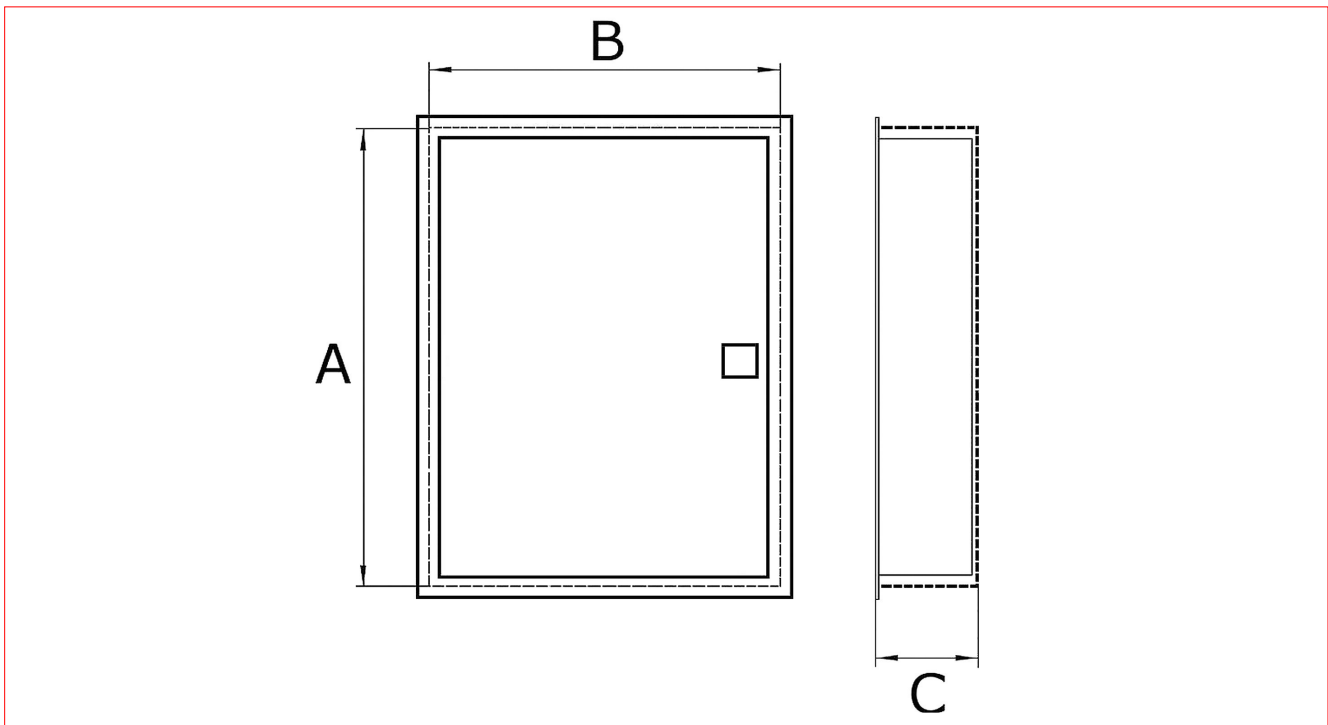
**DIMENSIONS**



Article number	A [mm]	B [mm]	C [mm]	D [mm]	E [mm]	F [mm]	Rows	MW	N terminals [mm <sup>2</sup> ]	PE terminals [mm <sup>2</sup> ]	Radiant power loss [W]*
BK0850012	317	346	94	274	306	87	1	12+2	10x10	10x10	-25
BK0850022	442	346	94	399	306	87	2	24+4	30x10	30x10	-34
BK0850032	592	346	94	549	306	87	3	36+6	30x10	30x10	-45
BK0850042	717	346	94	673	306	87	4	48+8	30x10	30x10	-54
BK0850052	842	346	94	817	306	87	5	60+10	30x10	30x10	-61
BK0850512	317	346	94	274	306	87	1	12+2	10x10	10x10	-25
BK0850522	442	346	94	399	306	87	2	24+4	30x10	30x10	-34
BK0850532	592	346	94	549	306	87	3	36+6	30x10	30x10	-45
BK0850542	717	346	94	673	306	87	4	48+8	30x10	30x10	-54
BK0850552	842	346	94	817	306	87	5	60+10	30x10	30x10	-61

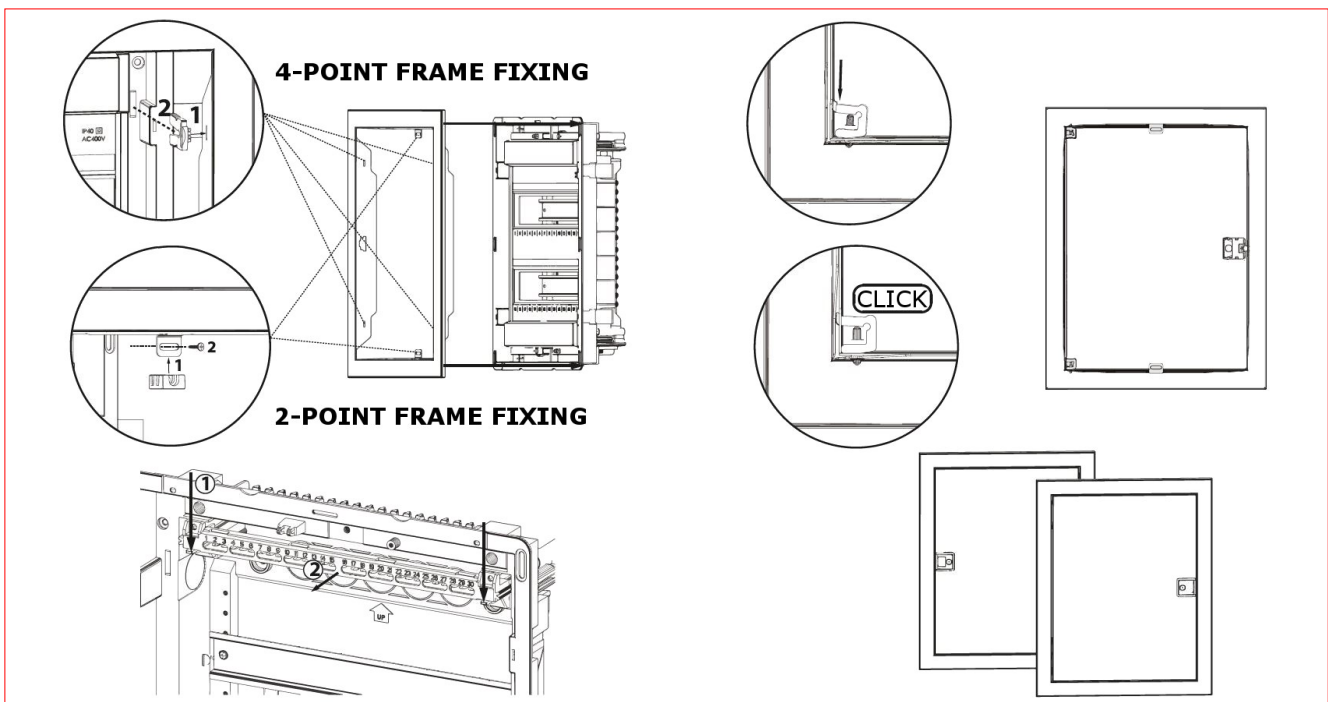
\*Max. radiated power of housing calculated as a wall-mounted single fixed with  $\Delta T = 35K$ .

**MOUNTING DIMENSIONS**

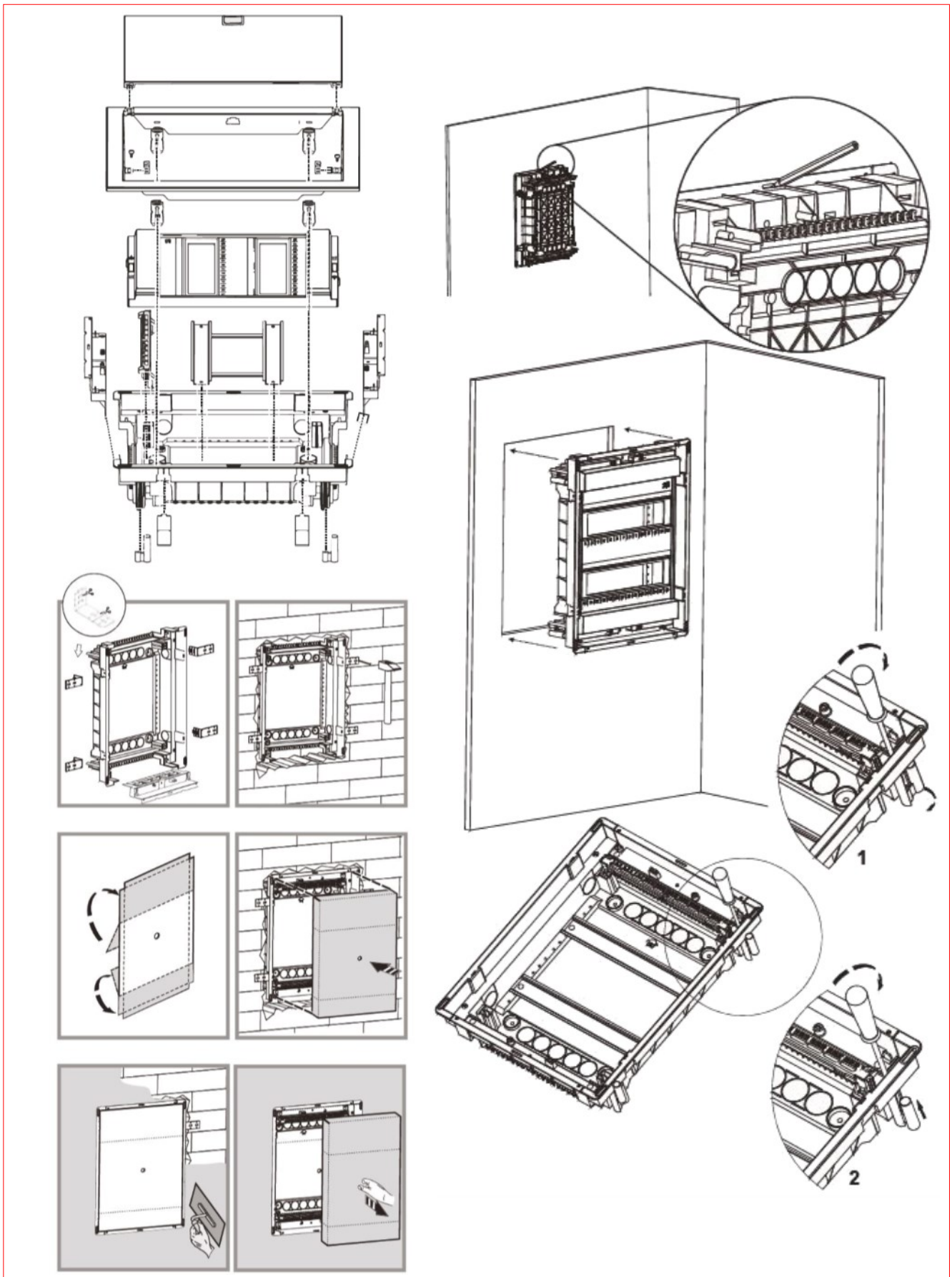


Article number		Solid wall cutout			Partition wall cutout		Rows	MW
Flush-mounted enclosures		A	B	C	A	B		
Solid wall	Partition wall	[mm]	[mm]	[mm]	[mm]	[mm]		
BK0850012	BK0850512	285	320	90	278	310	1	12+2
BK0850022	BK0850522	412	320	90	404	310	2	24+4
BK0850032	BK0850532	562	320	90	533	310	3	36+6
BK0850042	BK0850542	685	320	90	677	310	4	48+8
BK0850052	BK0850552	808	320	90	800	310	5	60+10

**MOUNTING: FRAME AND DOOR**

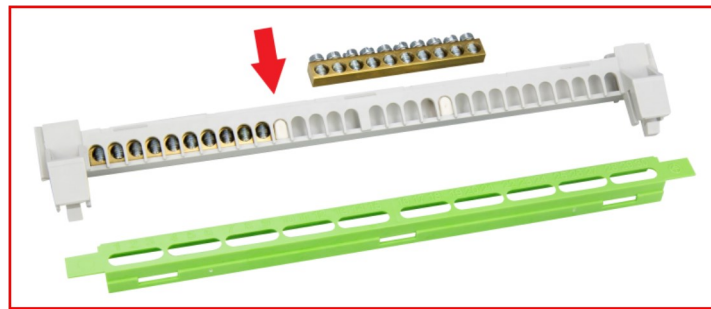


■ MOUNTING: SOLID WALL / PARTITION WALL



## WIRING INSTRUCTION

Terminal blocks **are not** continuously connected to each other, in case of need a manual cross connection dimensioned in the corresponding conductor cross section is necessary.



## DOMESTIC CONSUMER UNIT ENCLOSURES SERIES AMPARO IP40 WITH SHEET STEEL DOOR

DESCRIPTION	WxHxD mm	ORDER.NO.
<b>Solid wall - Frame with sheet steel door and wall box</b>		
1-row, 12/14 MW, complete	346x317x94	<a href="#">BK0850012</a>
2-rows, 24/28 MW, complete	346x442x94	<a href="#">BK0850022</a>
3-rows, 36/42 MW, complete	346x592x94	<a href="#">BK0850032</a>
4-rows, 48/56 MW, complete	346x717x94	<a href="#">BK0850042</a>
5-rows, 60/70 MW, complete	346x842x94	<a href="#">BK0850052</a>
<b>Partition wall - Frame with sheet steel door and wall box</b>		
1-row, 12/14 MW, complete	346x317x94	<a href="#">BK0850512</a>
2-rows, 24/28 MW, complete	346x442x94	<a href="#">BK0850522</a>
3-rows, 36/42 MW, complete	346x592x94	<a href="#">BK0850532</a>
4-rows, 48/56 MW, complete	346x717x94	<a href="#">BK0850542</a>
5-rows, 60/70 MW, complete	346x842x94	<a href="#">BK0850552</a>
<b>Wall box for solid wall</b>		
1-row, 12/14 MW	306x274x87	<a href="#">BK0850012A</a>
2-rows, 24/28 MW	306x399x87	<a href="#">BK0850022A</a>
3-rows, 36/42 MW	306x549x87	<a href="#">BK0850032A</a>
4-rows, 48/56 MW	306x673x87	<a href="#">BK0850042A</a>
5-rows, 60/70 MW	306x817x87	<a href="#">BK0850052A</a>
<b>Wall box for partition wall</b>		
1-row, 12/14 MW	306x274x87	<a href="#">BK0850512A</a>
2-rows, 24/28 MW	306x399x87	<a href="#">BK0850522A</a>
3-rows, 36/42 MW	306x549x87	<a href="#">BK0850532A</a>
4-rows, 48/56 MW	306x673x87	<a href="#">BK0850542A</a>
5-rows, 60/70 MW	306x817x87	<a href="#">BK0850552A</a>
<b>Frame (high) with door from sheet steel</b>		
1-row, 12/14 MW, door with insert	346x317x40	<a href="#">BK0851012F</a>
2-rows, 24/28 MW, door with insert	346x442x40	<a href="#">BK0851022F</a>
3-rows, 36/42 MW, door with insert	346x592x40	<a href="#">BK0851032F</a>
4-rows, 48/56 MW, door with insert	346x717x40	<a href="#">BK0851042F</a>
5-rows, 60/70 MW, door with insert	346x842x40	<a href="#">BK0851052F</a>
<b>Accessories</b>		
Connection bracket set horizontal (PU= 2 pcs.)		<a href="#">BK085098</a>
Connection bracket set vertical (PU= 2 pcs.)		<a href="#">BK085095</a>
Depth rail for media enclosure		<a href="#">BK085099</a>
Half cylinder lock for BK085, metal		<a href="#">BK085097</a>
Key for lock 2233X round cylinder		<a href="#">BK085093</a>
Spare part kit for BK085 frame and door		<a href="#">BK085090</a>
Spare part kit for BK085 wall box		<a href="#">BK085091</a>