

DATA SHEET:
LOCK INSERTS FOR AS AND KS ENCLOSURES



ASLSC501-S



ASLSSI521



ASLSSI522



ASLSSI523



ASLSSI536



ASLSSI530

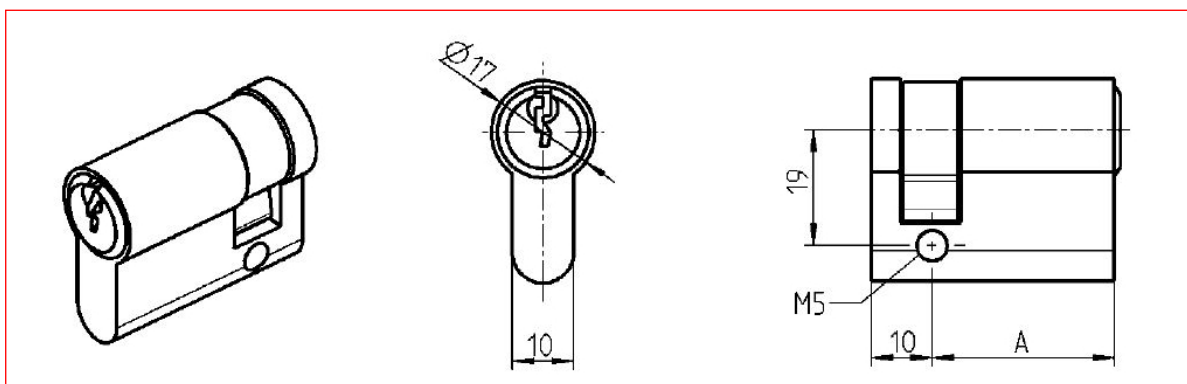


ASLS2100

SCHRACK-INFO

- Variety of profile half-cylinders, Ronis-cylinders, various specialised locks as well as keys for AS and KS enclosures
- Tip: The adaptor ASLS2100 is required when converting the swing handle ASLSC501-S from standard insert DDB 5mm to half-cylinder lock. The profile half-cylinder must be according to DIN 18252 (EN 1303) and the cam must be set so, that she triggered from above. The dimension "A" must have a length of 30mm.

DIMENSIONED DRAWING



LOCK INSERTS FOR AS AND KS ENCLOSURES

DESCRIPTION	ORDER NO.
Lock cover f. Standard KS, black	ASLSC500-S
Insert DIN 5mm for ASLSC500-S	ASLSI505
Swinghandle without insert, black	ASLSC501-S
Ronis profile half-cylinder 2123	ASLSSI521
Ronis round profile-cylinder 21323C	ASLSSI522
Insert square 7mm	ASLSSI523
Insert triangle 6,5mm	ASLSSI525
Insert triangle 7mm	ASLSSI526
Insert triangle 8mm	ASLSSI527
Insert double-bit 5mm	ASLSSI529
Push button- round cylinder 2233X	ASLSSI532
Push button only	ASLSSI536
Adapter profile half-cylinder for ASLSC501-S	ASLS2100
Lock f. round cylinder-insert 333	ASLS2130
Profile half-cylinder Ronis 3121 E	ASLSSI3121
Key DIN 3mm lock	ASLSK503
Key square 7mm lock	ASLSK523
Key square 8mm lock	ASLSK524
Half-cylinder lock keyed EK 333 including 1 key	DV900333
Key 333 for half-cylinder lock DV900333	DV900334
Key-double bit 5mm, metal	IU004906