

Heaters



Heaters



IUK08343



IUK08341



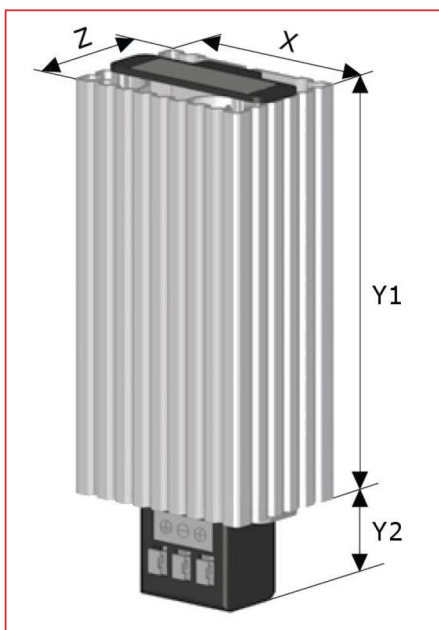
IUK08342



SCHRACK-INFO

- Radiant heaters are used in combination with a thermostat or hygrostat, predominantly to avoid excessively low temperature or excessively high humidity in the control cabinet
- Wattages of 10 to 150 W make sure that the perfect amount of heating power is always available

Dimensions heaters



[mm]	10 - 45 W	60 - 100 W	150 W
X	70	70	70
Y1	65	140	215
Y2	35	35	35
Z	50	50	50

Technical data

Data	Unit	IUK0836 4-A	IUK0834 6	IUK08341	IUK0834 2	IUK08343	IUK0834 4	IUK083 45
Radiator power (Ta = +20°C)	[W]	10	15	30	45	60	100	150
Max. surface temperature	[°C]	55	65	90	105	105	130	150
Power consumption	[W]	10	15	30	45	60	100	150
Starting current	[A]	1	1.1	1.2	1.8	2.5	5	7.5
Weight	[g]	250	250	250	250	450	510	770
Degree of protection for intended use		IP44(connection cable) and IP20(plug terminal connection)						
Rated voltage		230 V AC, 50/60 Hz*						
Functional range		110-250 V AC, 50/60 Hz						
Duty Cycle	[%]	100						
Operational temperature range	°C(F°)	-40 to +70(-40 to +158)						
Storage temperature range	°C(F°)	-40 to +70(-40 to +158)						
Installation orientation		AS desired, preferably vertical						
Device construction		Aluminium profile, light anodized						
Mounting type		Snap fastening for 35 mm profile bars according to EN 60715						
Protection class		Class I						
Connection		Connecting cable(500 mm) or plug terminal connection						
Clamping range of the terminal clamp		Single-wire: 2 x 0.5-2.5 mm ² fine-stranded:(tinned, with ferrule, with pin cable lug) 2 x 0.5-1.5 mm ²						
* Other voltage upon request								

DESCRIPTION	ORDER NO.
10 W, Terminal connection	IUK08364-A
15 W, Terminal connection	IUK08346
30 W, Terminal connection	IUK08341
45 W, Terminal connection	IUK08342
60 W, Terminal connection	IUK08343
100 W, Terminal connection	IUK08344
150 W, Terminal connection	IUK08345