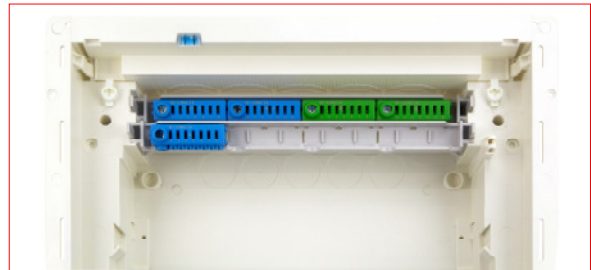


DATA SHEET:

DOMESTIC CONSUMER UNIT ENCLOSURES FOR SOLID WALLS KVM AND PARTITION WALLS KVH



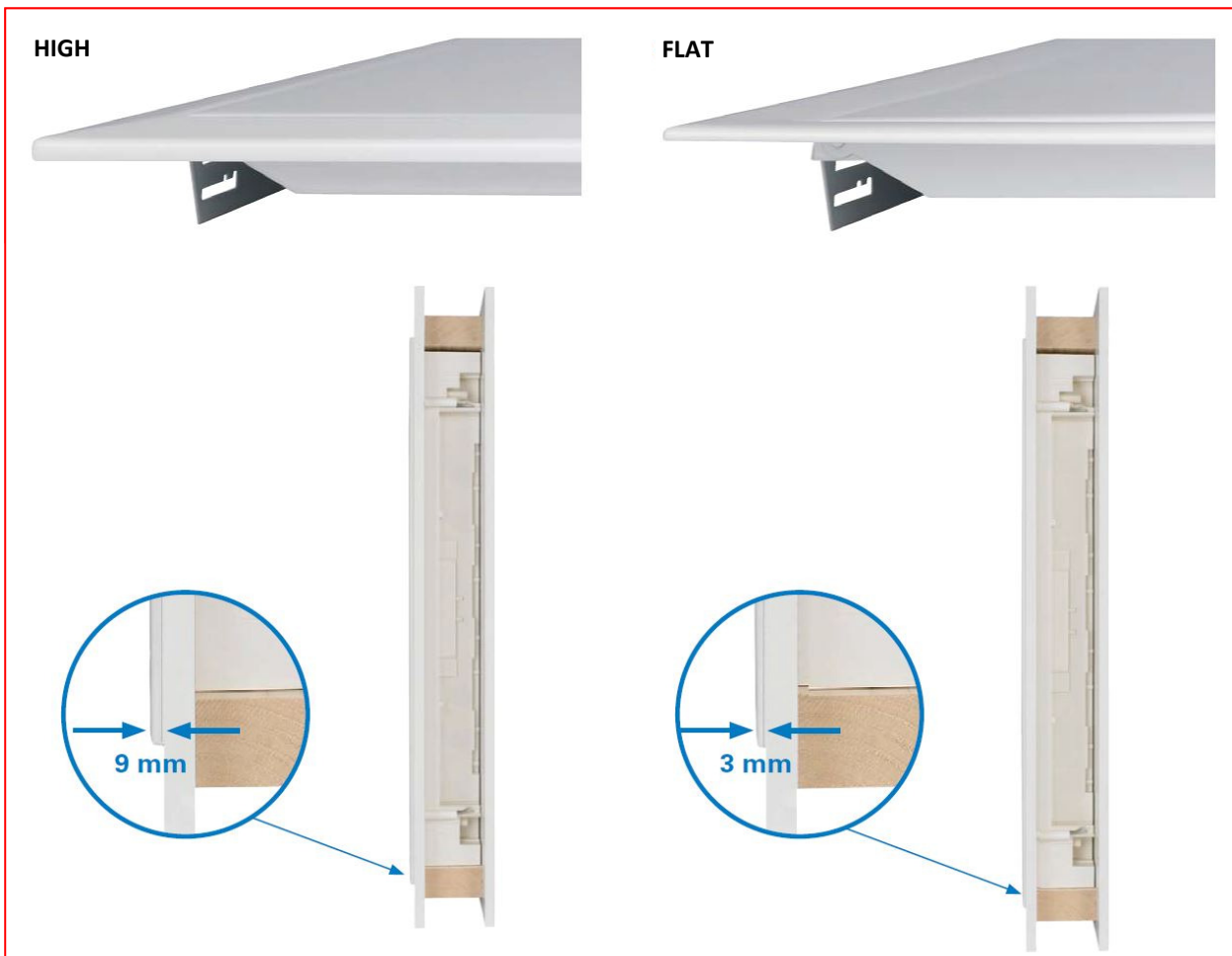
SCHRACK-INFO

- 1- to 4-row solid walls (BK071...) or partition walls (BK072...)
- Frame and door in coated sheet steel
- Available in two different frame designs: flat folded (approx. 1 mm) or high folding (approx. 6mm)
- Module cover and wall box in self-extinguishing plastic, low halogen level
- 12+2HP per row, 90° four-point locking, lead-sealable, laser-labelled type plate
- BK071... and BK072... incl. PE and N combined plug terminals with snap-on mounting
- BK071-F and BK072-F "frame (high) with door and insert" available with spring clamp terminals or screw terminals
- Includes a bubble level, 3D plaster compensation (up to 18mm compensation possible)
- Lateral wiring duct with cable holder for clearly arranged wiring
- Cable entry slider with knockouts and snap-on attachment
- Door turn lock fastener, replaceable with lock version (sash lock small cylinder)
- Conforms with IEC/EN 60670-24 and IEC/EN 62208, for distributions according to IEC/EN 61439-3
- Glow wire test:
 - Resistant to abnormal heat and fire up to 850°C for partition wall
 - Resistant to abnormal heat and fire up to 650°C for solid wall
- Protection class II
- Degree of protection IP30
- RAL9016 traffic white

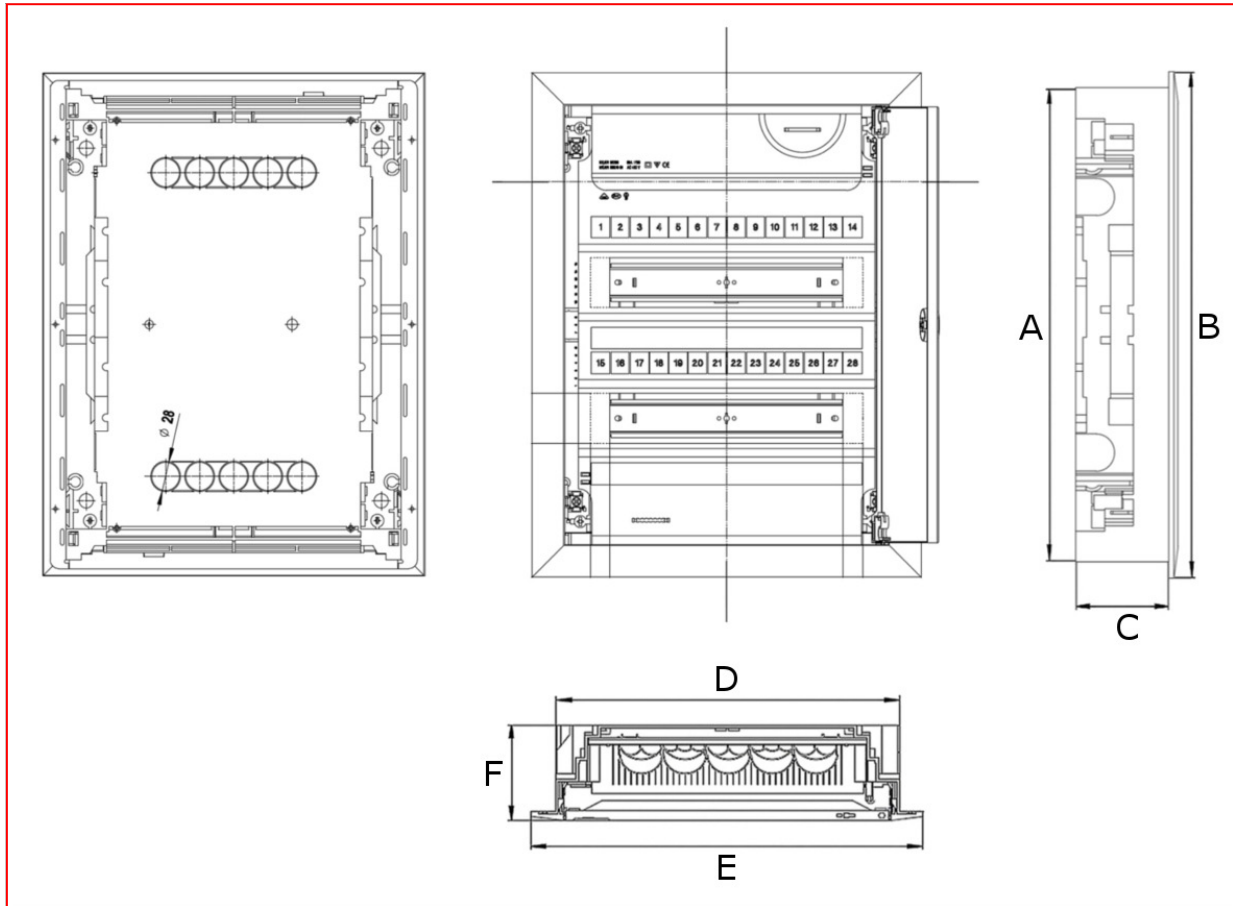
■ BK071 (SOLID WALL-) & BK072 (PARTITION WALL-) FAMILY1 – TO 4-ROW



■ FRAME HIGH & FRAME FLAT COMPARISON



DIMENSIONS



TECHNICAL DATA

| Article number | | A | B | C | D | E | F | Rows | MW | N terminals | PE terminals | Radiant power loss |
|----------------|------------|------|------|------|------|------|------|------|------|--------------------|--------------------|--------------------|
| | | [mm] | [mm] | [mm] | [mm] | [mm] | [mm] | | | [mm ²] | [mm ²] | [W]* |
| Frame flat | Frame high | | | | | | | | | | | |
| BK071001-- | BK071001-F | 309 | 339 | 87,5 | 315 | 359 | 95 | 1 | 12+2 | 2x25 + 14x4 | 2x25 + 14x4 | -19 |
| BK071002-- | BK071002-F | 434 | 464 | 87,5 | 315 | 359 | 95 | 2 | 24+4 | 3x25 + 21x4 | 2x25 + 14x4 | -32 |
| BK071003-- | BK071003-F | 559 | 589 | 87,5 | 315 | 359 | 95 | 3 | 36+6 | 4x25 + 28x4 | 4x25 + 28x4 | -41 |
| BK071004-- | BK071004-F | 684 | 714 | 87,5 | 315 | 359 | 95 | 4 | 48+8 | 4x25 + 28x4 | 4x25 + 28x4 | -49 |
| BK072001-- | BK072001-F | 309 | 339 | 87,5 | 315 | 359 | 95 | 1 | 12+2 | 2x25 + 14x4 | 2x25 + 14x4 | -19 |
| BK072002-- | BK072002-F | 434 | 464 | 87,5 | 315 | 359 | 95 | 2 | 24+4 | 3x25 + 21x4 | 2x25 + 14x4 | -32 |
| BK072003-- | BK072003-F | 559 | 589 | 87,5 | 315 | 359 | 95 | 3 | 36+6 | 4x25 + 28x4 | 4x25 + 28x4 | -41 |
| BK072004-- | BK072004-F | 684 | 714 | 87,5 | 315 | 359 | 95 | 4 | 48+8 | 4x25 + 28x4 | 4x25 + 28x4 | -49 |

*max. radiated power of housing calculated as a flush mounted single fixed with $\Delta T = 35K$.

MOUNTING DIMENSIONS

| Article number | | Solid wall cutout | | | Partition wall cutout | | Rows | MW |
|---------------------|-------------------------|-------------------|--------|--------|-----------------------|--------|------|------|
| Wall box Solid wall | Wall box Partition wall | A [mm] | B [mm] | C [mm] | A [mm] | B [mm] | | |
| BK071001-A | BK072001-A | 325 | 345 | 90 | 315 | 322 | 1 | 12+2 |
| BK071002-A | BK072002-A | 450 | 345 | 90 | 440 | 322 | 2 | 24+4 |
| BK071003-A | BK072003-A | 575 | 345 | 90 | 565 | 322 | 3 | 36+6 |
| BK071004-A | BK072004-A | 700 | 345 | 90 | 690 | 322 | 4 | 48+8 |

WALL BOX PARTICULARITIES

OUTSTANDING ACCESSIBILITY - ALSO FOR RETROFITTING



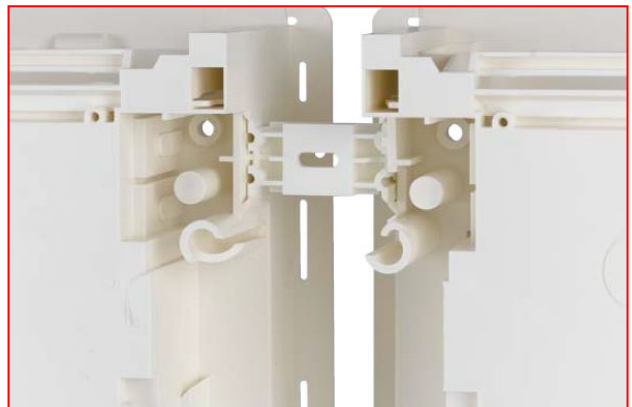
BUBBLE LEVEL FOR PRECISE ALIGNMENT



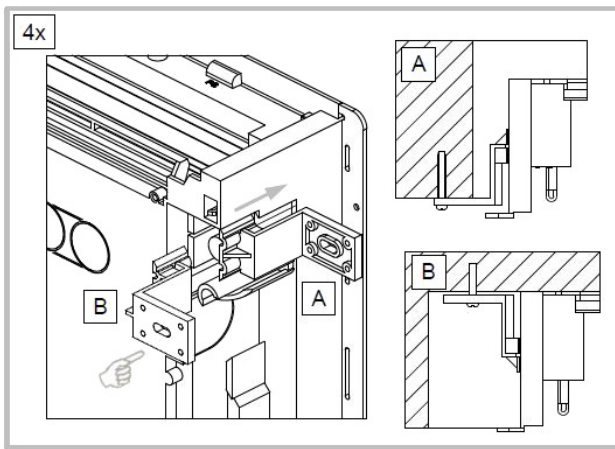
BK071 BRACKETS FOR FASTENING ON
SOLID WALLS (included)



HORIZONTAL BRACKET SET **BK071057**
available as accessory

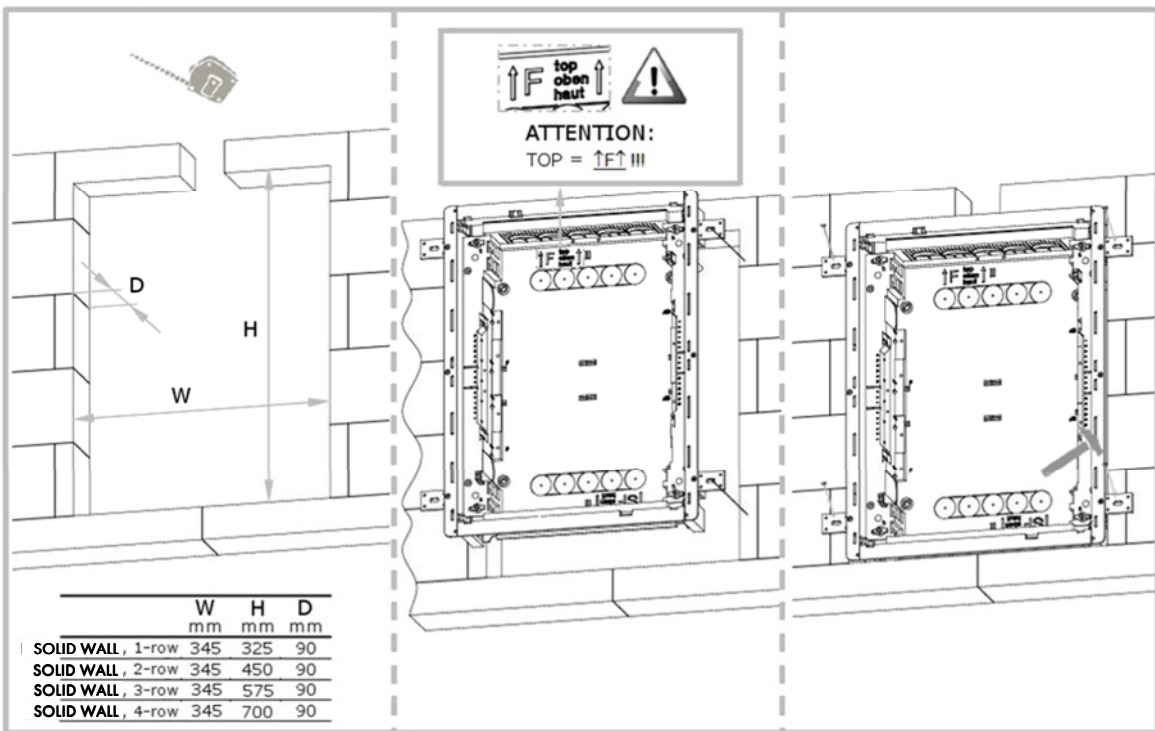
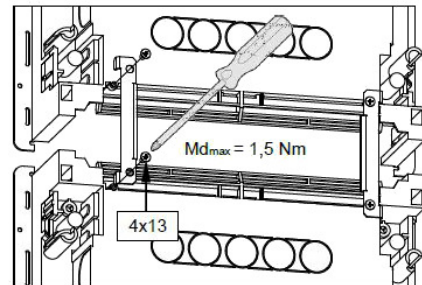
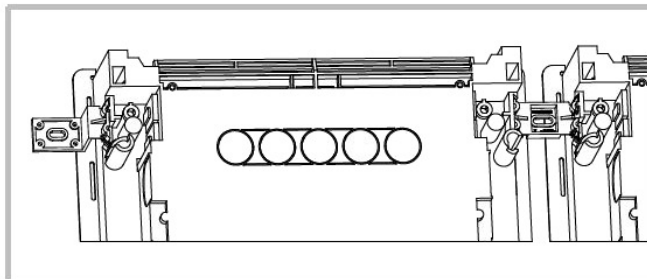
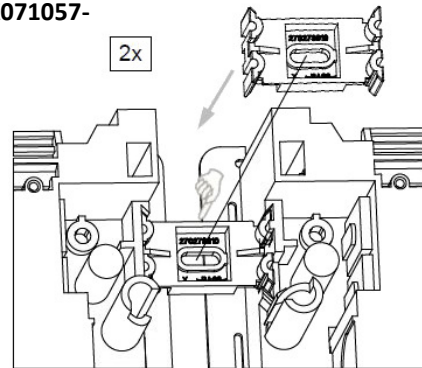


MOUNTING

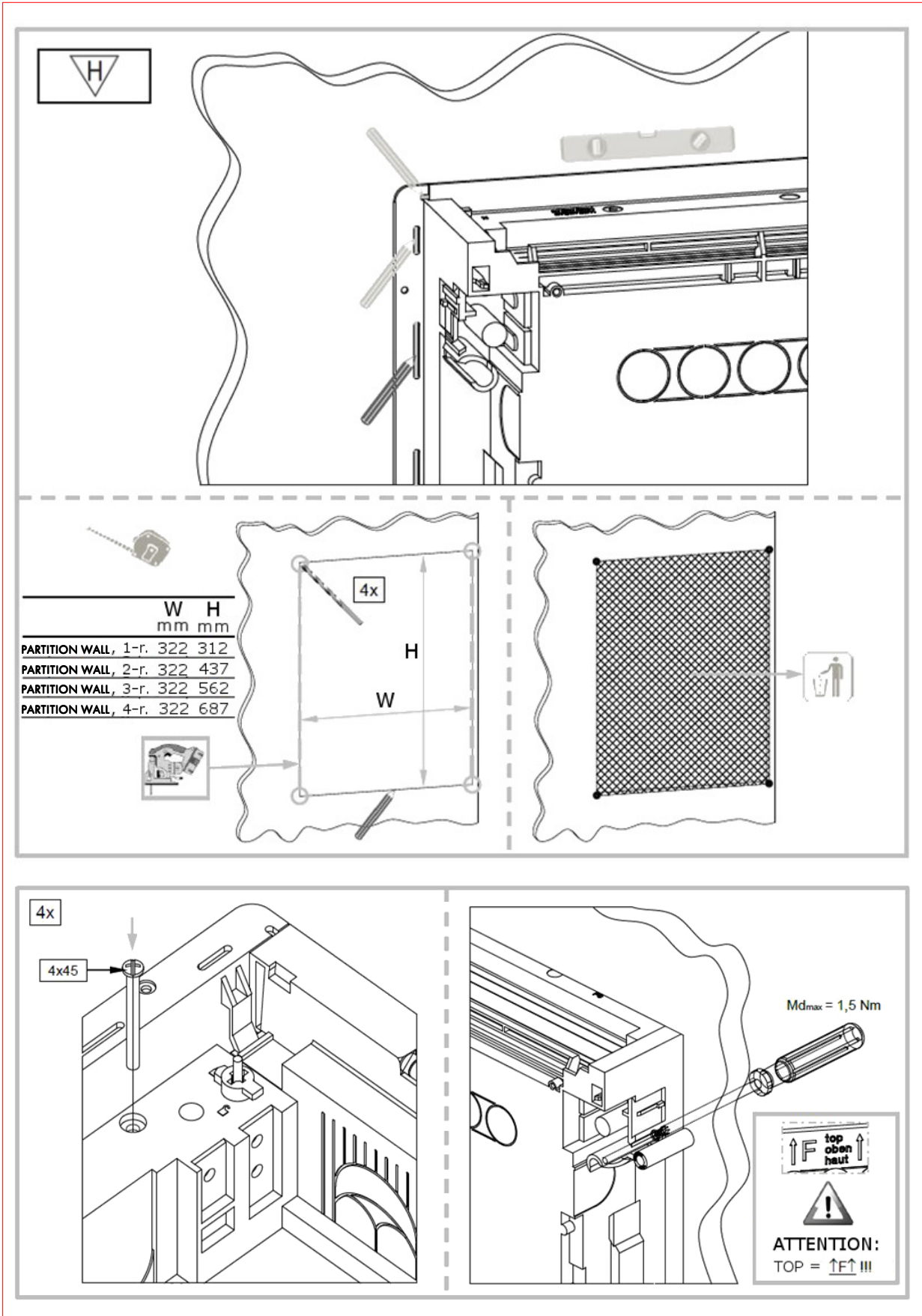


Bracket for horizontal side by side mounting

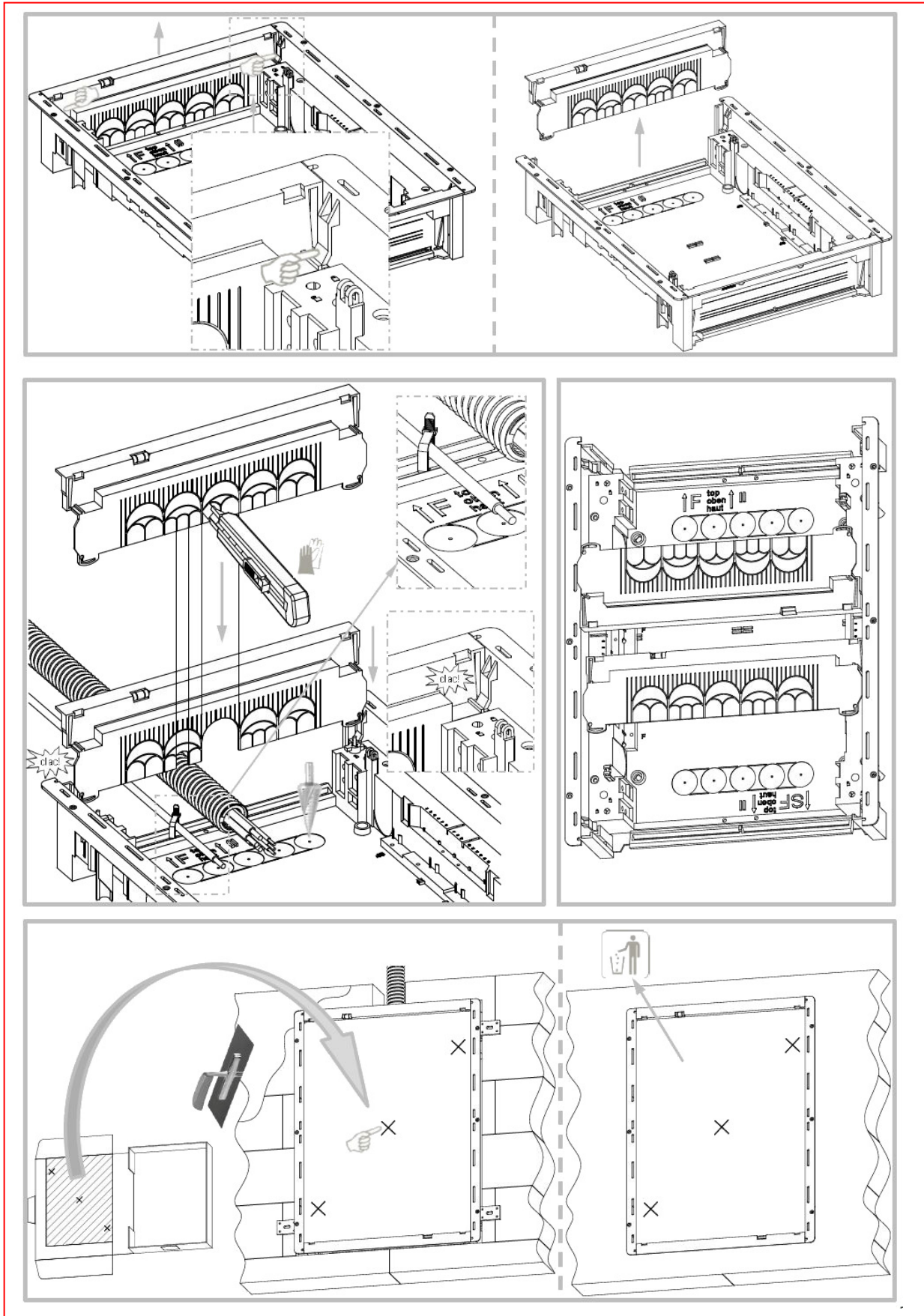
BK071057-



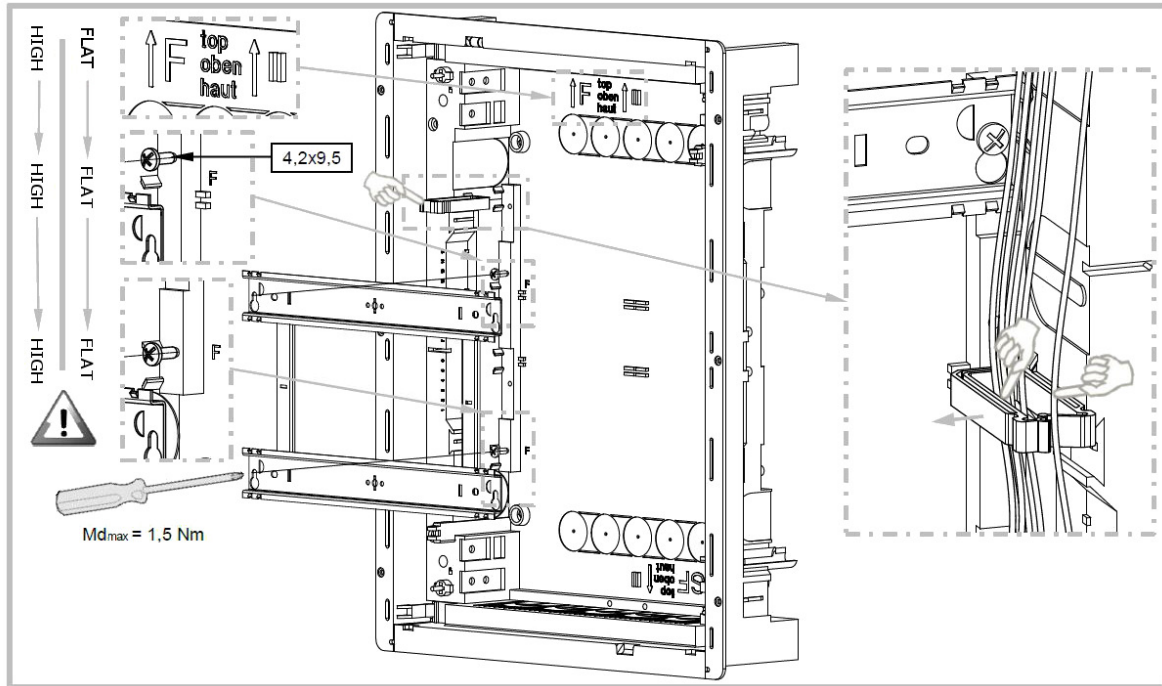
MOUNTING



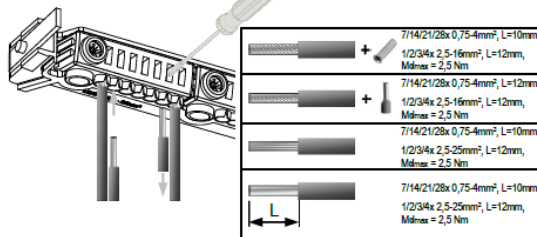
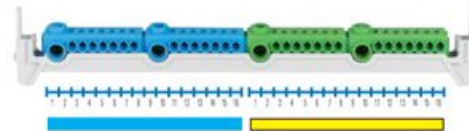
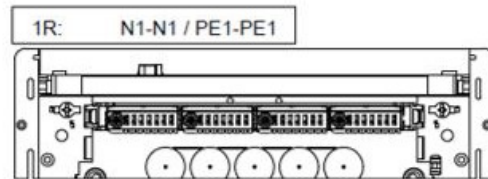
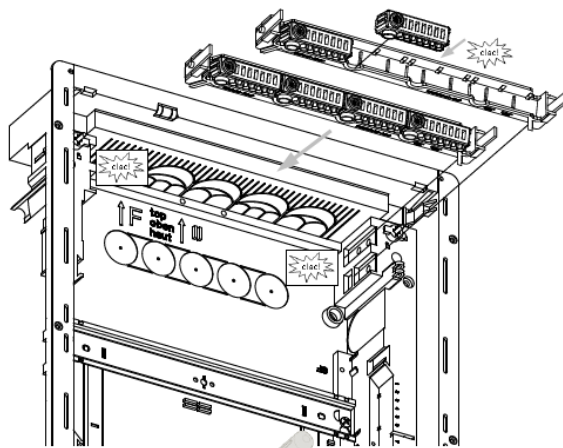
MOUNTING



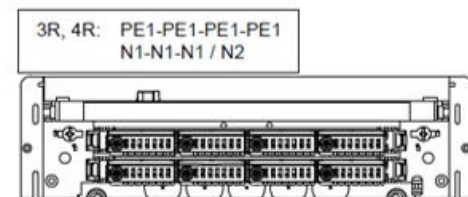
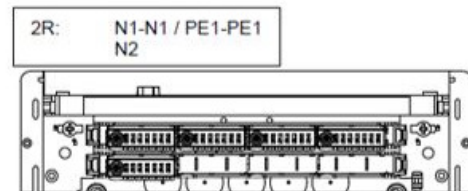
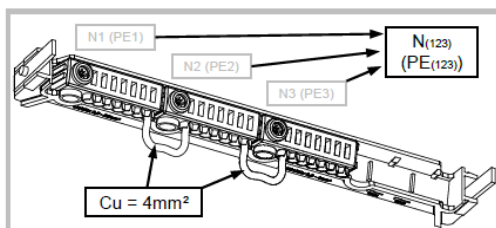
MOUNTING



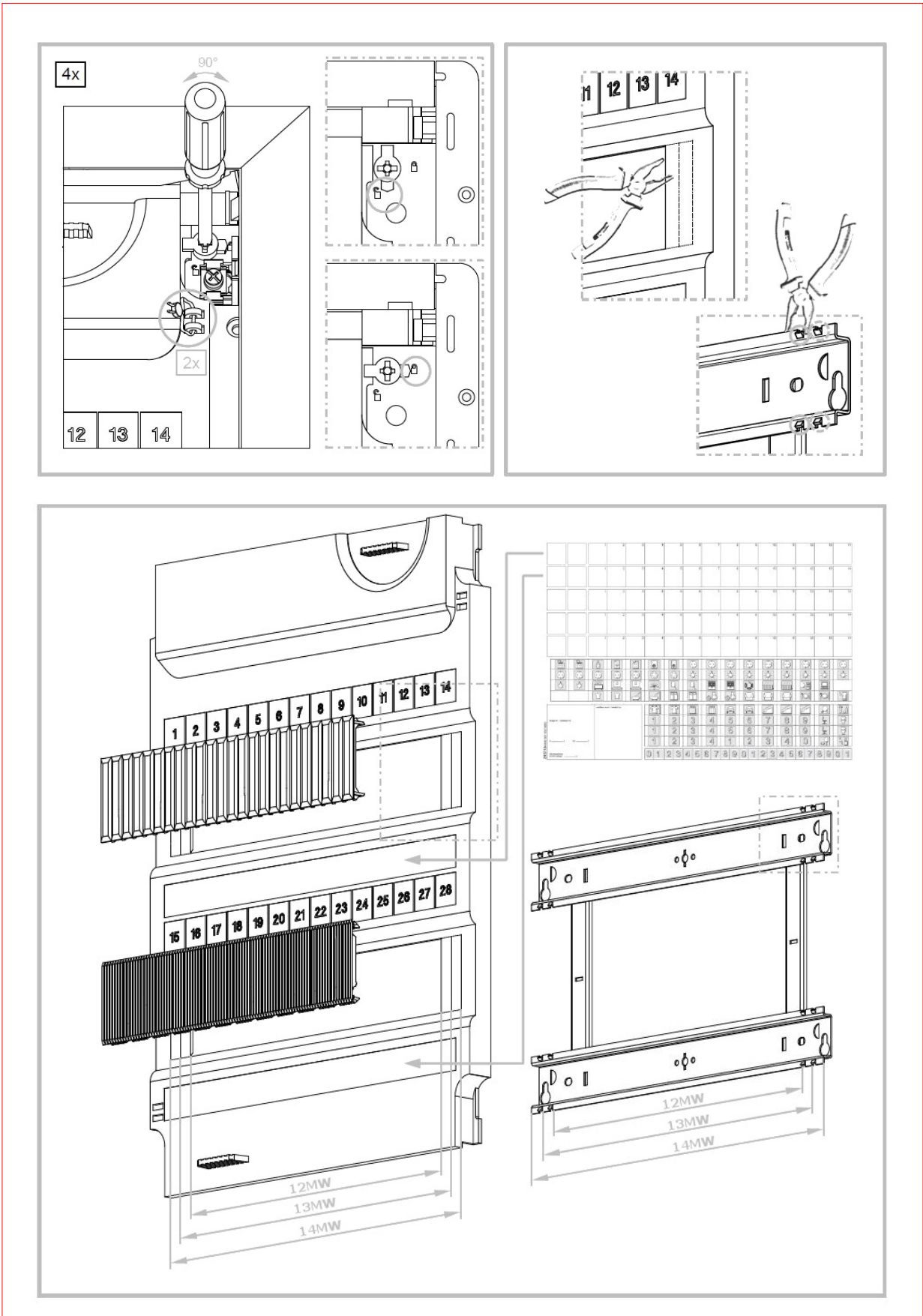
INTERNAL CLAMP TERMINAL CONNECTION
AS SHOWN:



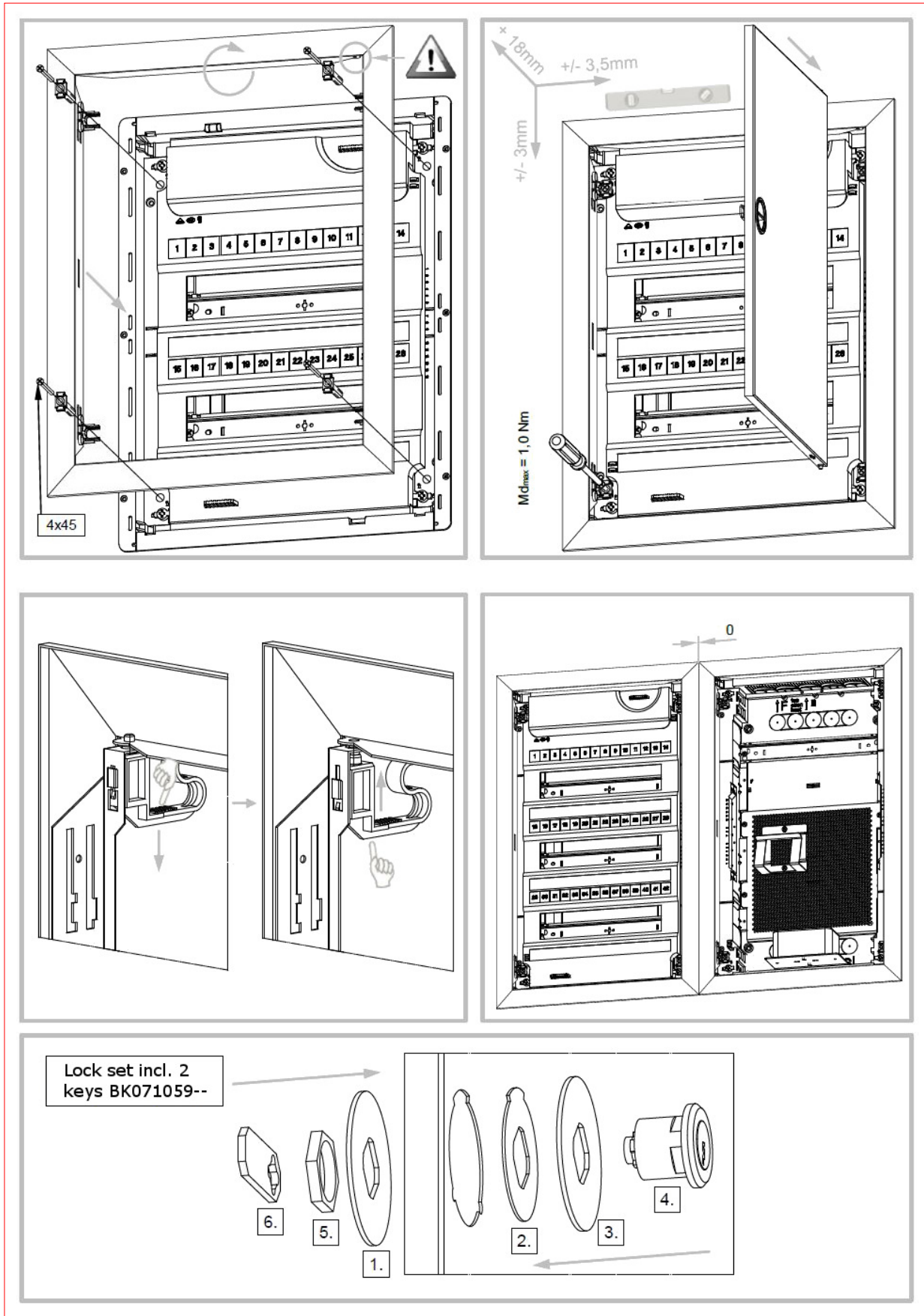
PLUG-IN TERMINAL EXTENSION WITH
INDEPENDENT Cu 4mm² WIRING!



MOUNTING

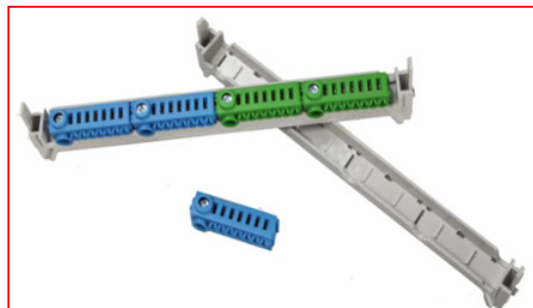


MOUNTING



OVERVIEW SPRING CLAMP TERMINALS & SCREW TERMINALS AT FRAME FLAT (BK071-- / BK072--) AND FRAME HIGH (BK071-F/ BK072-F)

SPRING CLAMP TERMINALS
(at 2-row version)



SCREW TERMINALS
(at 2-row version)



| Wall | Frame | Article number | Rows | MW | Spring clamp terminals | Screw terminals | N terminals [mm ²] | PE terminals [mm ²] |
|----------------|------------|----------------|------|------|------------------------|-----------------|--------------------------------|---------------------------------|
| Solid wall | Frame flat | BK071101-- | 1 | 12+2 | X | | 2x25 + 14x4 | 2x25 + 14x4 |
| | | BK071102-- | 2 | 24+4 | X | | 3x25 + 21x4 | 2x25 + 14x4 |
| | | BK071103-- | 3 | 36+6 | X | | 4x25 + 28x4 | 4x25 + 28x4 |
| | | BK071104-- | 4 | 48+8 | X | | 4x25 + 28x4 | 4x25 + 28x4 |
| | Frame high | BK071101-F | 1 | 12+2 | X | | 2x25 + 14x4 | 2x25 + 14x4 |
| | | BK071102-F | 2 | 24+4 | X | | 3x25 + 21x4 | 2x25 + 14x4 |
| | | BK071103-F | 3 | 36+6 | X | | 4x25 + 28x4 | 4x25 + 28x4 |
| | | BK071104-F | 4 | 48+8 | X | | 4x25 + 28x4 | 4x25 + 28x4 |
| | | BK071201-F | 1 | 12+2 | | X | 13x0.75 bis 16 | 13x0.75 bis 16 |
| | | BK071202-F | 2 | 24+4 | | X | 13x0.75 bis 16 | 16x0.75 bis 16 |
| | | BK071203-F | 3 | 36+6 | | X | 25x0.75 bis 16 | 25x0.75 bis 16 |
| | | BK071204-F | 4 | 48+8 | | X | 25x0.75 bis 16 | 25x0.75 bis 16 |
| Partition wall | Frame flat | BK072101-- | 1 | 12+2 | X | | 2x25 + 14x4 | 2x25 + 14x4 |
| | | BK072102-- | 2 | 24+4 | X | | 3x25 + 21x4 | 2x25 + 14x4 |
| | | BK072103-- | 3 | 36+6 | X | | 4x25 + 28x4 | 4x25 + 28x4 |
| | | BK072104-- | 4 | 48+8 | X | | 4x25 + 28x4 | 4x25 + 28x4 |
| | Frame high | BK072101-F | 1 | 12+2 | X | | 2x25 + 14x4 | 2x25 + 14x4 |
| | | BK072102-F | 2 | 24+4 | X | | 3x25 + 21x4 | 2x25 + 14x4 |
| | | BK072103-F | 3 | 36+6 | X | | 4x25 + 28x4 | 4x25 + 28x4 |
| | | BK072104-F | 4 | 48+8 | X | | 4x25 + 28x4 | 4x25 + 28x4 |
| | | BK072201-F | 1 | 12+2 | | X | 13x0.75 bis 16 | 13x0.75 bis 16 |
| | | BK072202-F | 2 | 24+4 | | X | 13x0.75 bis 16 | 16x0.75 bis 16 |
| | | BK072203-F | 3 | 36+6 | | X | 25x0.75 bis 16 | 25x0.75 bis 16 |
| | | BK072204-F | 4 | 48+8 | | X | 25x0.75 bis 16 | 25x0.75 bis 16 |

DOMESTIC CONSUMER UNIT ENCLOSURES FOR SOLID WALLS KVM

| DESCRIPTION | WxHxD mm | ORDER NO. |
|------------------------------------------------------------------------------------------------------------|------------|------------|
| KVM - Solid wall | | |
| Enclosure KVM with frame (flat) with door from sheet steel and wall box with spring clamp terminals | | |
| 1-row, 12/14MW | 359x339x95 | BK071001 |
| 2-rows, 24/28MW | 359x464x95 | BK071002 |
| 3-rows, 36/42MW | 359x589x95 | BK071003 |
| 4-rows, 48/56MW | 359x714x95 | BK071004 |
| Enclosure KVM frame (high) with door from sheet steel and wall box with spring clamp terminals | | |
| 1-row, 12/14MW | 359x339x99 | BK071001-F |
| 2-rows, 24/28MW | 359x464x99 | BK071002-F |
| 3-rows, 36/42MW | 359x589x99 | BK071003-F |
| 4-rows, 48/56MW | 359x714x99 | BK071004-F |
| Wall box KVM | | |
| 1-row, 12/14MW | 315x325x88 | BK071001-A |
| 2-rows, 24/28MW | 315x450x88 | BK071002-A |
| 3-rows, 36/42MW | 315x575x88 | BK071003-A |
| 4-rows, 48/56MW | 315x700x88 | BK071004-A |
| Frame KVM (flat) with door and insert with spring clamp terminals | | |
| 1-row, 12/14MW | | BK071101 |
| 2-rows, 24/28MW | | BK071102 |
| 3-rows, 36/42MW | | BK071103 |
| 4-rows, 48/56MW | | BK071104 |
| Frame KVM (high) with door and insert with spring clamp terminals | | |
| 1-row, 12/14MW | | BK071101-F |
| 2-rows, 24/28MW | | BK071102-F |
| 3-rows, 36/42MW | | BK071103-F |
| 4-rows, 48/56MW | | BK071104-F |
| Frame KVM (high) with door and insert with screw terminals | | |
| 1-row, 12/14MW | | BK071201-F |
| 2-rows, 24/28MW | | BK071202-F |
| 3-rows, 36/42MW | | BK071203-F |
| 4-rows, 48/56MW | | BK071204-F |

DOMESTIC CONSUMER UNIT ENCLOSURES FOR PARTITION WALLS KVH

| DESCRIPTION | WxHxD mm | AVAILABLE | ORDER NO. |
|--------------------------------------------------------------------------------|------------|-----------|------------|
| KVH - Partition wall | | | |
| Enclosure KVH with frame (flat) with door from sheet steel and wall box | | | |
| 1-row, 12/14MW | 359x339x95 | | BK072001 |
| 2-rows, 24/28MW | 359x464x95 | | BK072002 |
| 3-rows, 36/42MW | 359x589x95 | | BK072003 |
| 4-rows, 48/56MW | 359x714x95 | | BK072004 |
| Enclosure KVH with frame (high) with door from sheet steel and wall box | | | |
| 1-row, 12/14MW | 359x339x99 | | BK072001-F |
| 2-rows, 24/28MW | 359x464x99 | | BK072002-F |
| 3-rows, 36/42MW | 359x589x99 | | BK072003-F |
| 4-rows, 48/56MW | 359x714x99 | | BK072004-F |

DOMESTIC CONSUMER UNIT ENCLOSURES FOR PARTITION WALLS KVH

| DESCRIPTION | WxHxD mm | AVAILABLE | ORDER NO. |
|--------------------------------------------------------------------------|------------|-----------|------------|
| KVH - Partition wall | | | |
| Wall box KVH | | | |
| 1-row, 12/14MW | 315x325x88 | | BK072001-A |
| 2-rows, 24/28MW | 315x450x88 | | BK072002-A |
| 3-rows, 36/42MW | 315x575x88 | | BK072003-A |
| 4-rows, 48/56MW | 315x700x88 | | BK072004-A |
| Frame KVH (flat) with door and insert with spring clamp terminals | | | |
| 1-row, 12/14MW | | | BK072101 |
| 2-rows, 24/28MW | | | BK072102 |
| 3-rows, 36/42MW | | | BK072103 |
| 4-rows, 48/56MW | | | BK072104 |
| Frame KVH (high) with door and insert with spring clamp terminals | | | |
| 1-row, 12/14MW | | | BK072101-F |
| 2-rows, 24/28MW | | | BK072102-F |
| 3-rows, 36/42MW | | | BK072103-F |
| 4-rows, 48/56MW | | | BK072104-F |
| Frame KVH (high) with door and insert with screw terminals | | | |
| 1-row, 12/14MW | | | BK072201-F |
| 2-rows, 24/28MW | | | BK072202-F |
| 3-rows, 36/42MW | | | BK072203-F |
| 4-rows, 48/56MW | | | BK072204-F |

ACCESSORIES FOR DOMESTIC CONSUMER UNIT ENCLOSURES KVM AND KVH

| Accessories | | | |
|-----------------------------------------------------------------------------------------------|--|--|----------|
| Twist lock BK07... complete | | | BK077005 |
| Extension plug-in term. N (1x25mm ² , 7x4mm ²), without holder | | | BK071051 |
| Extension plug-in term. PE (1x25mm ² , 7x4mm ²), without holder | | | BK071052 |
| Plug-in terminal blank for max. 4 plug-in terminals | | | BK071053 |
| Bracket for horizontal side by side mounting | | | BK071057 |
| Bracket for vertical combined mounting | | | BK071058 |
| Lock set incl. 2 keys | | | BK071059 |
| N/PE plug-in term. 2xN (ea. 1x25, 7x4mm ²) / 2xPE (ea. 1x25, 7x4mm ²) | | | BK071060 |
| N plug-in term. 3xN (ea. 1x25, 7x4mm ²) / 1xN (1x25, 7x4mm ²) | | | BK071061 |
| PE plug-in term. 4xPE (ea. 1x25, 7x4mm ²) | | | BK071062 |
| Partition plate plastic for BK07...horizontal | | | BK077000 |
| Cable holder 4 pcs. | | | BK071050 |