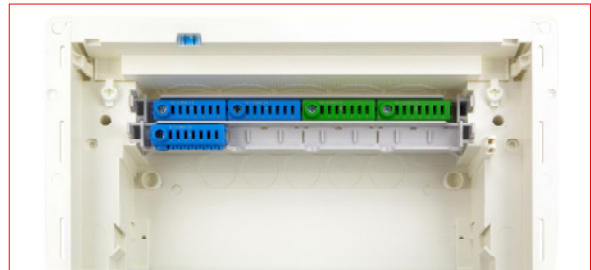


**DATA SHEET:**

**DOMESTIC CONSUMER UNIT ENCLOSURES FOR SOLID WALLS KVM AND PARTITION WALLS KVH**



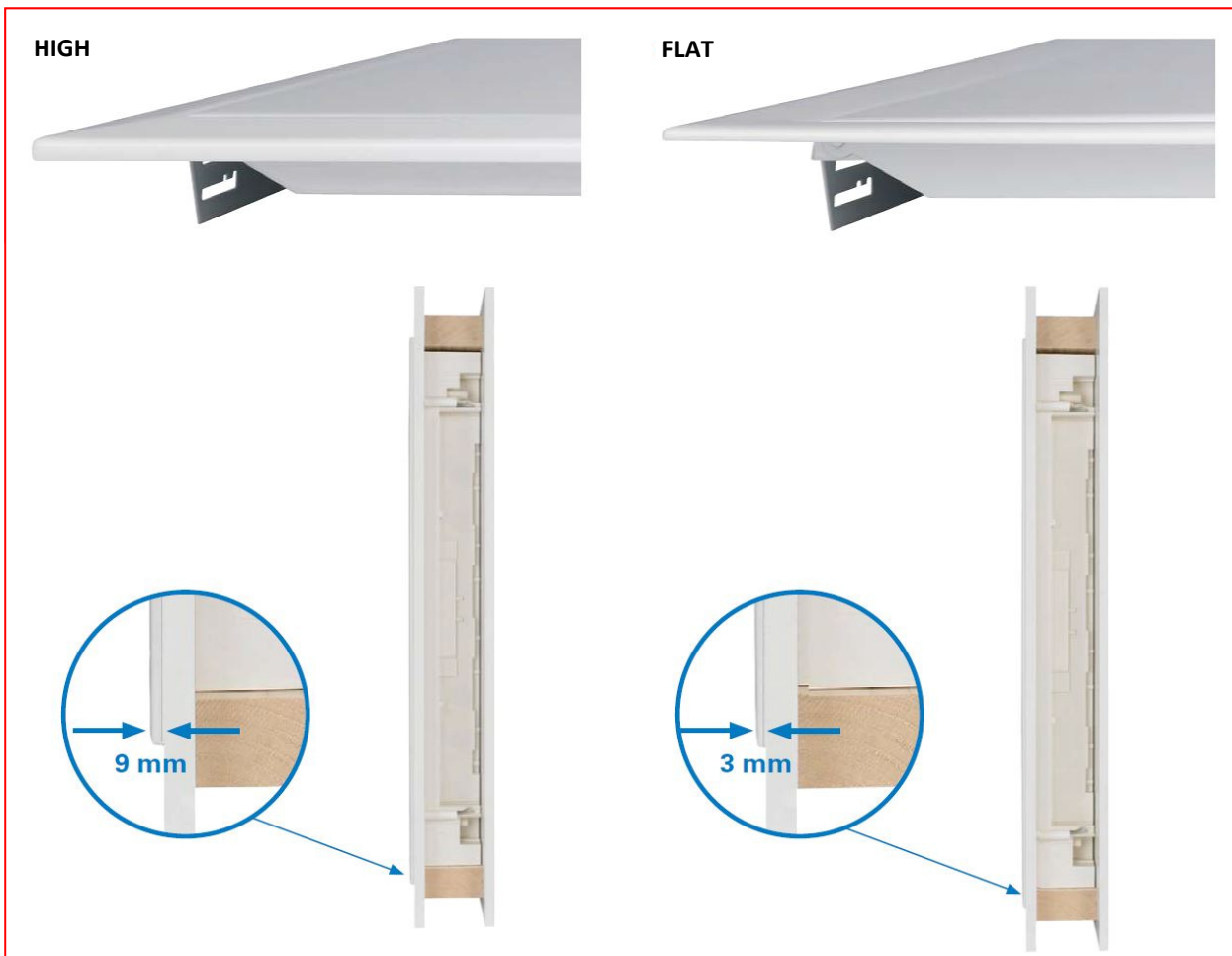
**SCHRACK-INFO**

- 1- to 4-row solid walls (BK071...) or partition walls (BK072...)
- Frame and door in coated sheet steel
- Available in two different frame designs: flat folded (approx. 1 mm) or high folding (approx. 6mm)
- Module cover and wall box in self-extinguishing plastic, low halogen level
- 12+2HP per row, 90° four-point locking, lead-sealable, laser-labelled type plate
- BK071... and BK072... incl. PE and N combined plug terminals with snap-on mounting
- BK071-F and BK072-F "frame (high) with door and insert" available with spring clamp terminals or screw terminals
- Includes a bubble level, 3D plaster compensation (up to 18mm compensation possible)
- Lateral wiring duct with cable holder for clearly arranged wiring
- Cable entry slider with knockouts and snap-on attachment
- Door turn lock fastener, replaceable with lock version (sash lock small cylinder)
- Conforms with IEC/EN 60670-24 and IEC/EN 62208, for distributions according to IEC/EN 61439-3
- Glow wire test:
  - Resistant to abnormal heat and fire up to 850°C for partition wall
  - Resistant to abnormal heat and fire up to 650°C for solid wall
- Protection class II
- Degree of protection IP30
- RAL9016 traffic white

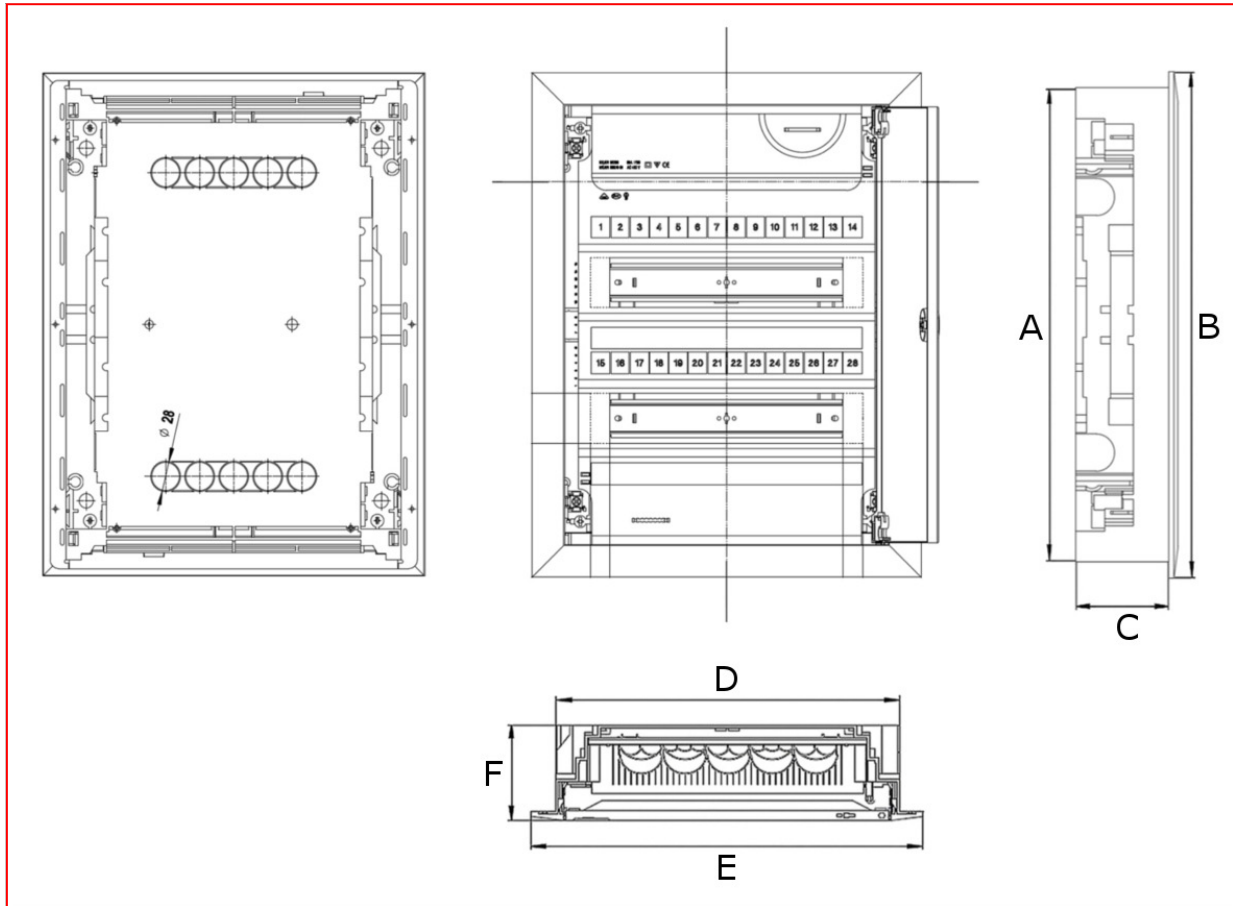
■ BK071 (SOLID WALL-) & BK072 (PARTITION WALL-) FAMILY1 – TO 4-ROW



■ FRAME HIGH & FRAME FLAT COMPARISON



**DIMENSIONS**



**TECHNICAL DATA**

Article number		A	B	C	D	E	F	Rows	MW	N terminals	PE terminals	Radiant power loss
		[mm]	[mm]	[mm]	[mm]	[mm]	[mm]			[mm <sup>2</sup> ]	[mm <sup>2</sup> ]	[W]*
Frame flat	Frame high											
BK071001--	BK071001-F	309	339	87,5	315	359	95	1	12+2	2x25 + 14x4	2x25 + 14x4	-19
BK071002--	BK071002-F	434	464	87,5	315	359	95	2	24+4	3x25 + 21x4	2x25 + 14x4	-32
BK071003--	BK071003-F	559	589	87,5	315	359	95	3	36+6	4x25 + 28x4	4x25 + 28x4	-41
BK071004--	BK071004-F	684	714	87,5	315	359	95	4	48+8	4x25 + 28x4	4x25 + 28x4	-49
BK072001--	BK072001-F	309	339	87,5	315	359	95	1	12+2	2x25 + 14x4	2x25 + 14x4	-19
BK072002--	BK072002-F	434	464	87,5	315	359	95	2	24+4	3x25 + 21x4	2x25 + 14x4	-32
BK072003--	BK072003-F	559	589	87,5	315	359	95	3	36+6	4x25 + 28x4	4x25 + 28x4	-41
BK072004--	BK072004-F	684	714	87,5	315	359	95	4	48+8	4x25 + 28x4	4x25 + 28x4	-49

\*max. radiated power of housing calculated as a flush mounted single fixed with  $\Delta T = 35K$ .

**MOUNTING DIMENSIONS**

Article number		Solid wall cutout			Partition wall cutout		Rows	MW
Wall box Solid wall	Wall box Partition wall	A [mm]	B [mm]	C [mm]	A [mm]	B [mm]		
BK071001-A	BK072001-A	325	345	90	315	322	1	12+2
BK071002-A	BK072002-A	450	345	90	440	322	2	24+4
BK071003-A	BK072003-A	575	345	90	565	322	3	36+6
BK071004-A	BK072004-A	700	345	90	690	322	4	48+8

WALL BOX PARTICULARITIES

OUTSTANDING ACCESSIBILITY - ALSO FOR RETROFITTING



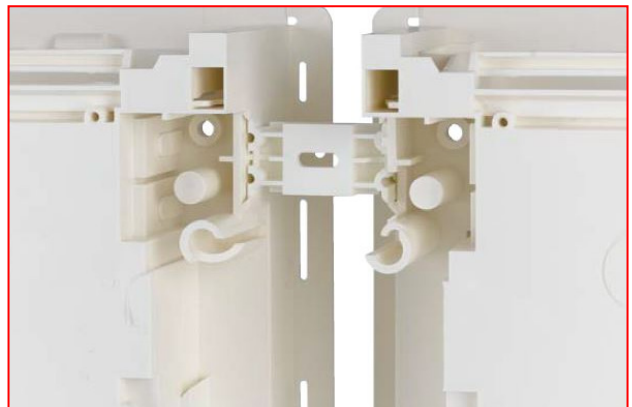
BUBBLE LEVEL FOR PRECISE ALIGNMENT



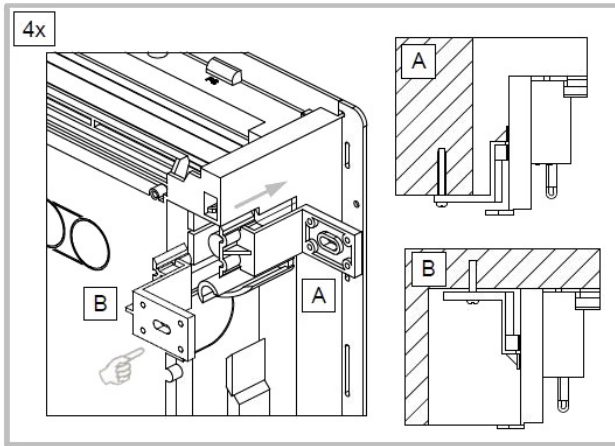
BK071 BRACKETS FOR FASTENING ON  
SOLID WALLS (included)



HORIZONTAL BRACKET SET **BK071057**  
available as accessory

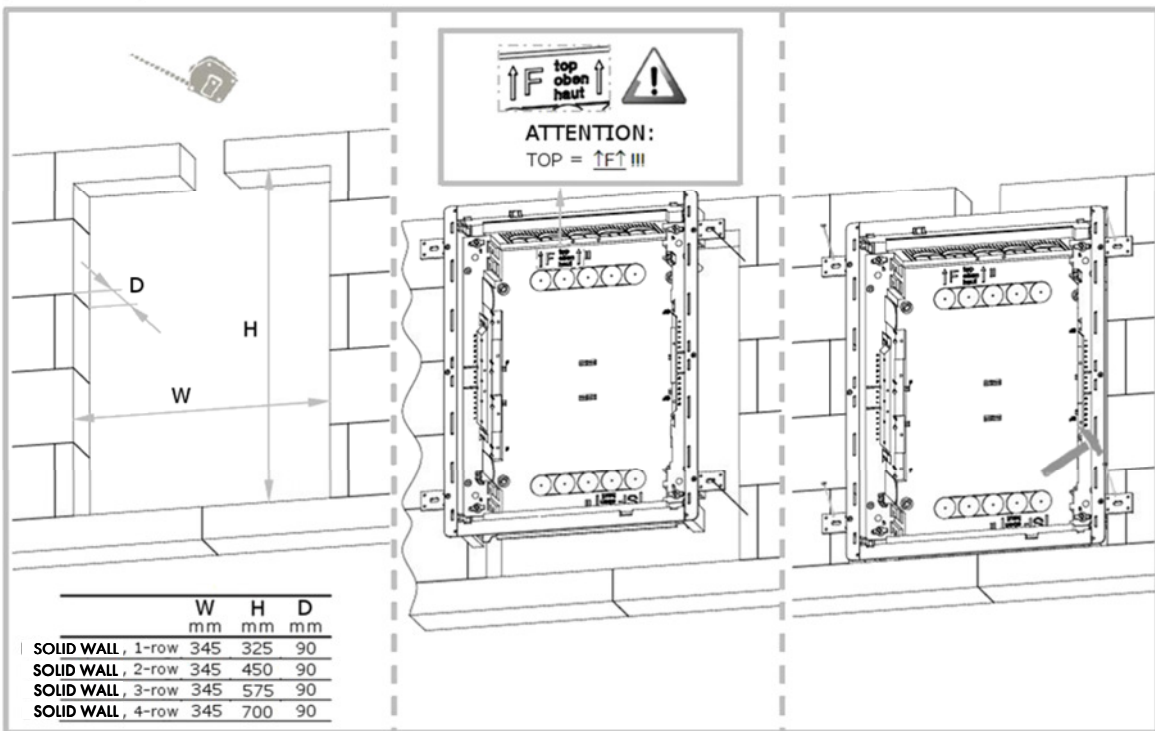
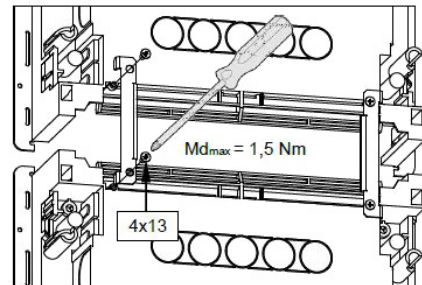
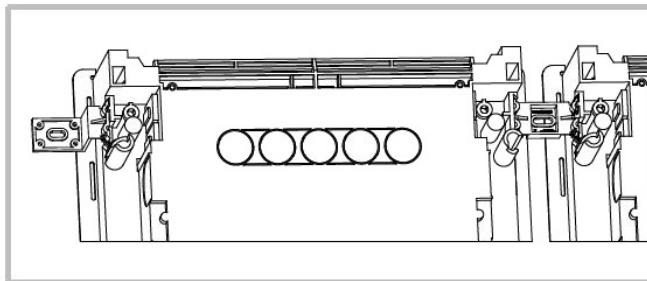
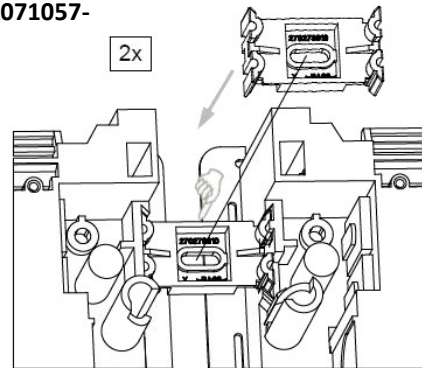


**MOUNTING**

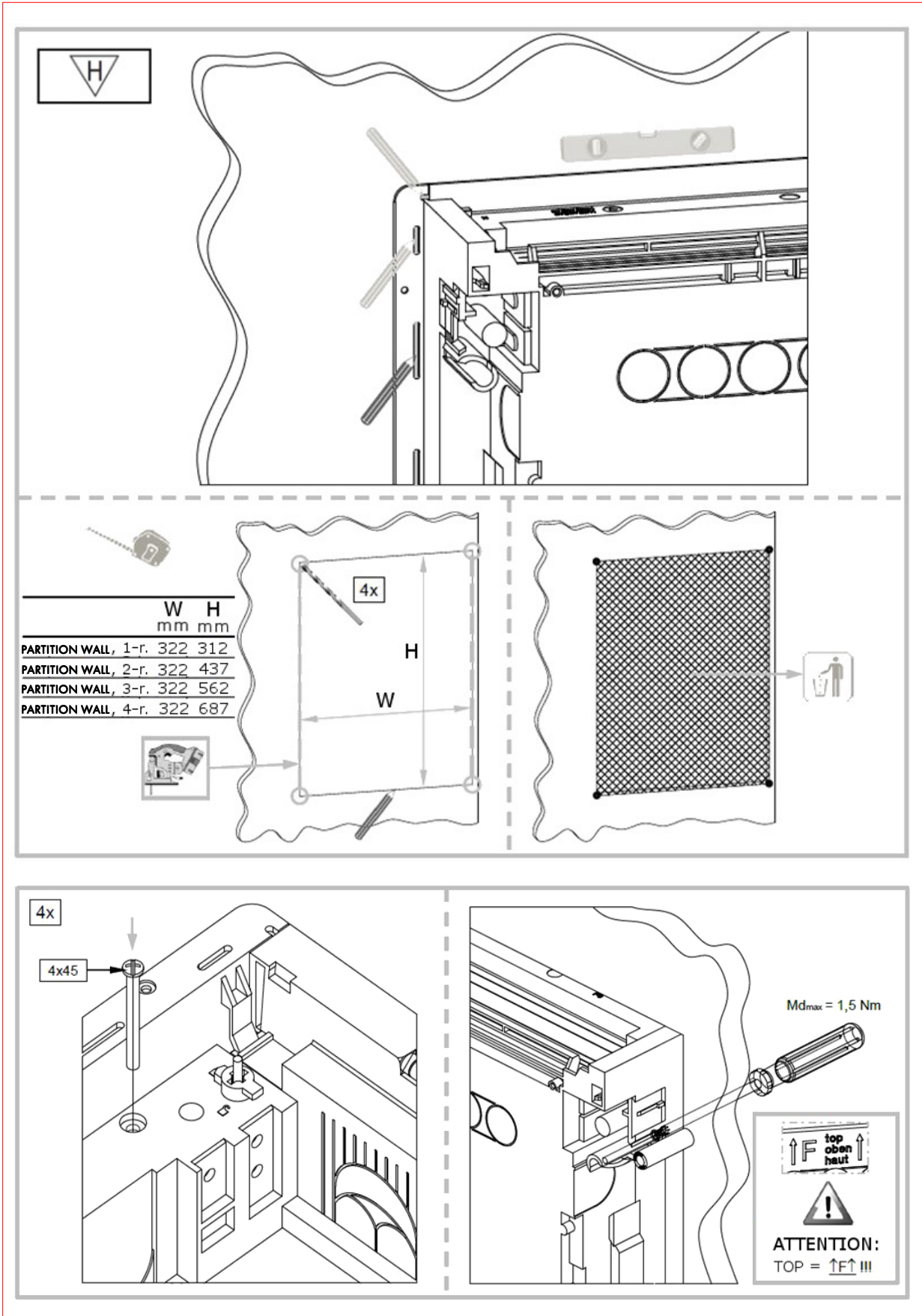


Bracket for horizontal side by side mounting

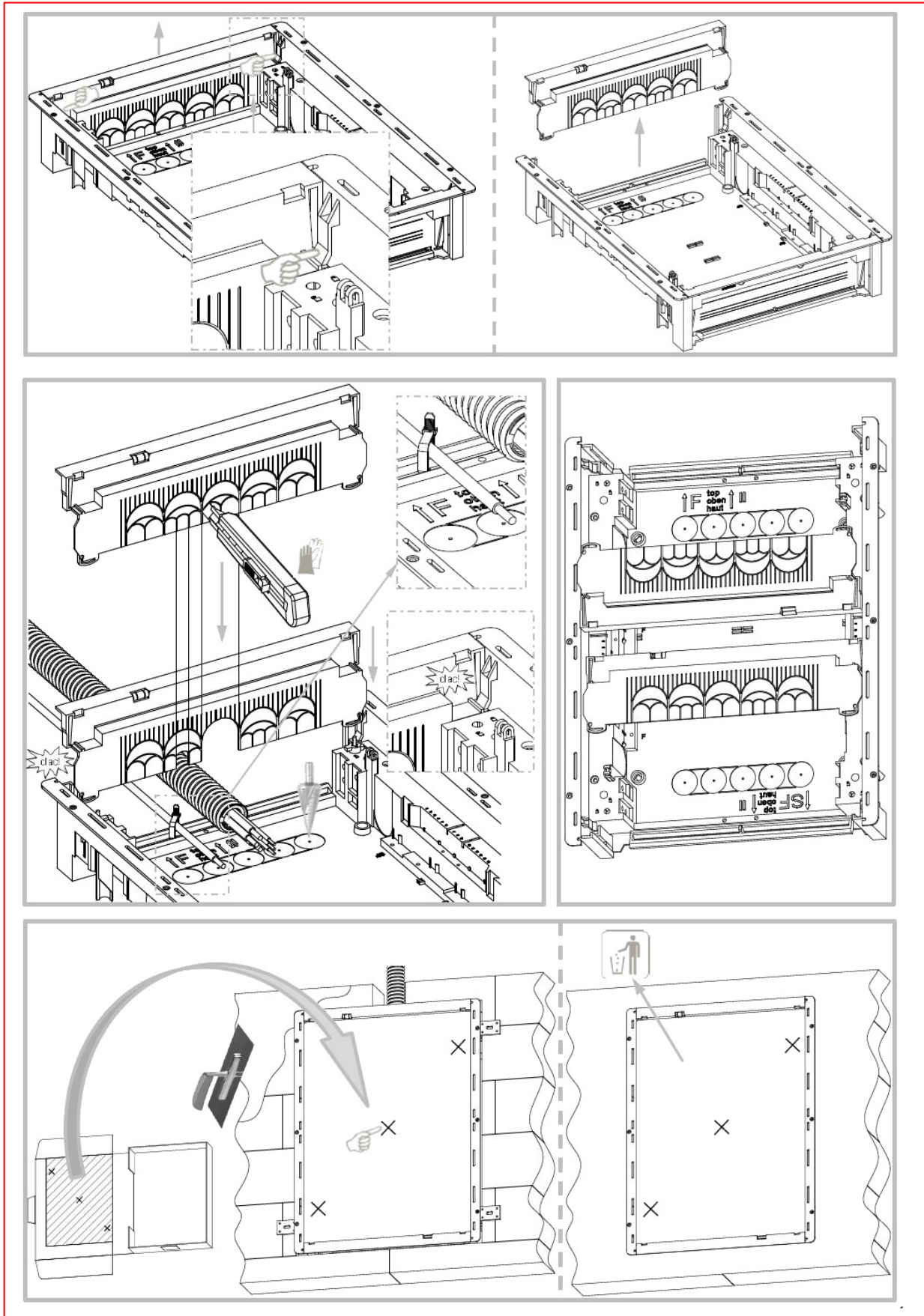
**BK071057-**



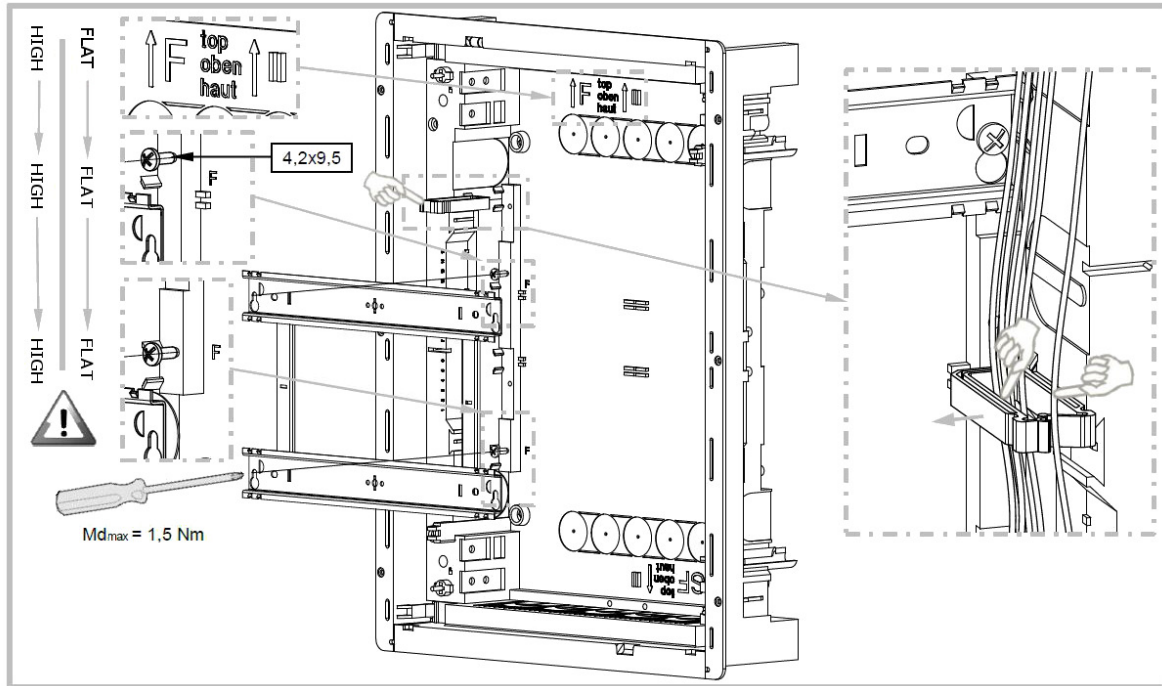
**MOUNTING**



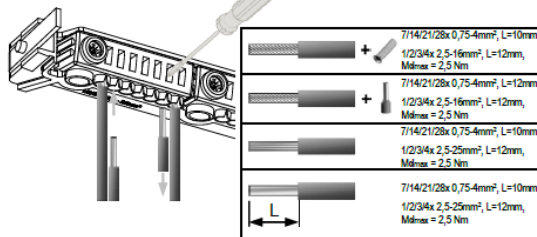
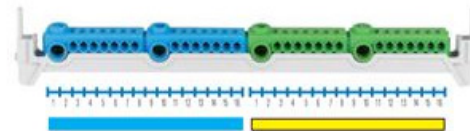
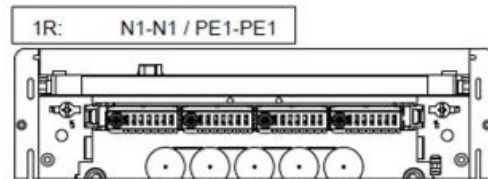
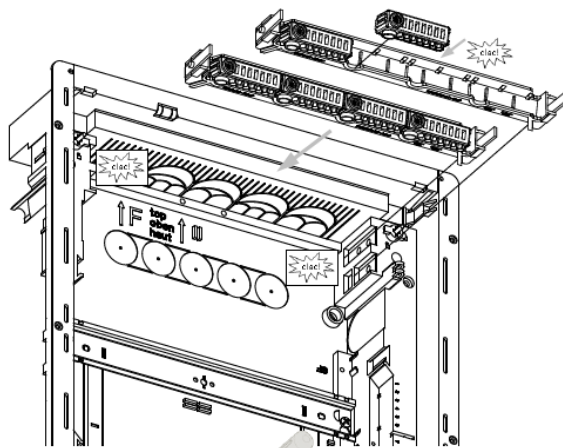
**MOUNTING**



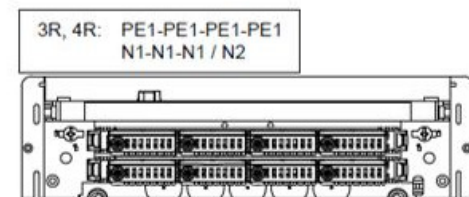
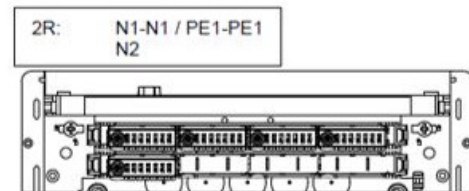
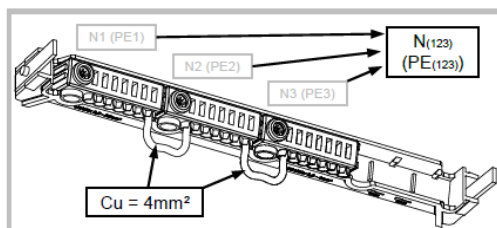
**MOUNTING**



INTERNAL CLAMP TERMINAL CONNECTION  
AS SHOWN:

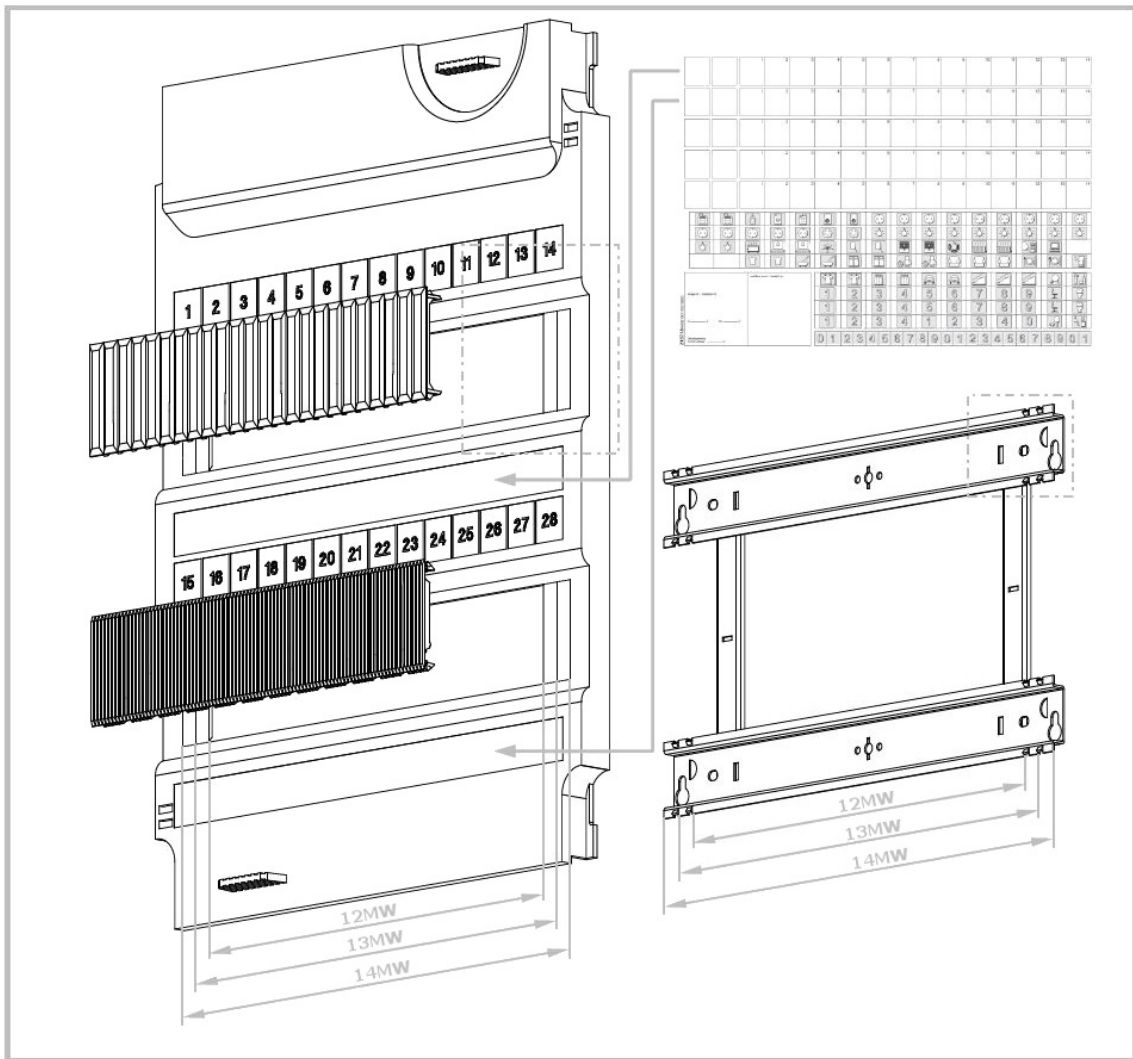
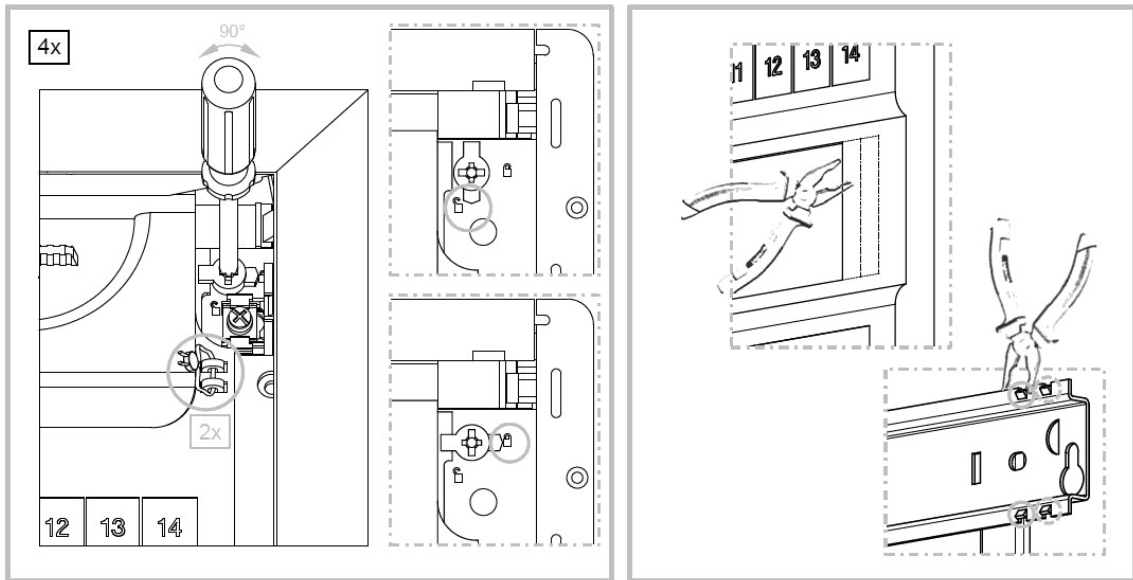


PLUG-IN TERMINAL EXTENSION WITH  
INDEPENDENT Cu 4mm<sup>2</sup> WIRING!

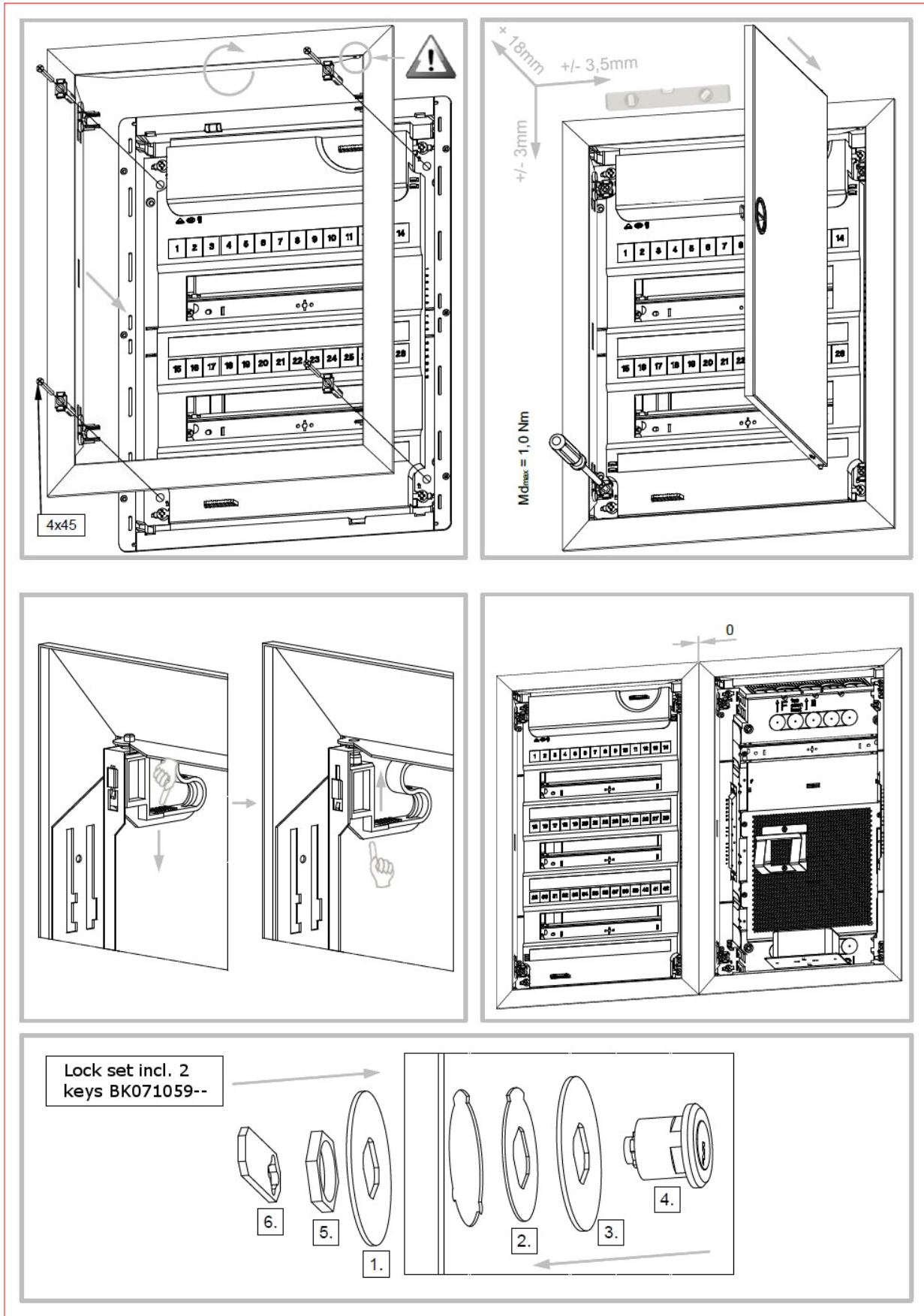




**MOUNTING**

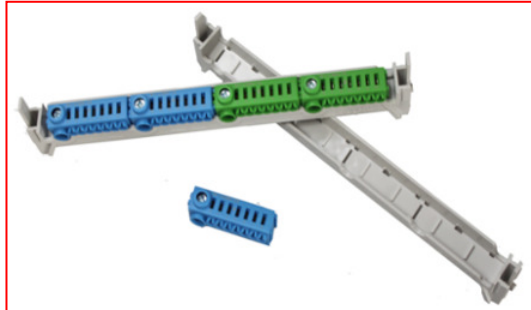


**MOUNTING**



OVERVIEW SPRING CLAMP TERMINALS & SCREW TERMINALS AT FRAME FLAT (BK071-- / BK072--) AND FRAME HIGH (BK071-F/ BK072-F)

SPRING CLAMP TERMINALS  
(at 2-row version)



SCREW TERMINALS  
(at 2-row version)



Wall	Frame	Article number	Rows	MW	Spring clamp terminals	Screw terminals	N terminals [mm <sup>2</sup> ]	PE terminals [mm <sup>2</sup> ]
Solid wall	Frame flat	BK071101--	1	12+2	X		2x25 + 14x4	2x25 + 14x4
		BK071102--	2	24+4	X		3x25 + 21x4	2x25 + 14x4
		BK071103--	3	36+6	X		4x25 + 28x4	4x25 + 28x4
		BK071104--	4	48+8	X		4x25 + 28x4	4x25 + 28x4
	Frame high	BK071101-F	1	12+2	X		2x25 + 14x4	2x25 + 14x4
		BK071102-F	2	24+4	X		3x25 + 21x4	2x25 + 14x4
		BK071103-F	3	36+6	X		4x25 + 28x4	4x25 + 28x4
		BK071104-F	4	48+8	X		4x25 + 28x4	4x25 + 28x4
		BK071201-F	1	12+2		X	13x0.75 bis 16	13x0.75 bis 16
		BK071202-F	2	24+4		X	13x0.75 bis 16	16x0.75 bis 16
		BK071203-F	3	36+6		X	25x0.75 bis 16	25x0.75 bis 16
		BK071204-F	4	48+8		X	25x0.75 bis 16	25x0.75 bis 16
Partition wall	Frame flat	BK072101--	1	12+2	X		2x25 + 14x4	2x25 + 14x4
		BK072102--	2	24+4	X		3x25 + 21x4	2x25 + 14x4
		BK072103--	3	36+6	X		4x25 + 28x4	4x25 + 28x4
		BK072104--	4	48+8	X		4x25 + 28x4	4x25 + 28x4
	Frame high	BK072101-F	1	12+2	X		2x25 + 14x4	2x25 + 14x4
		BK072102-F	2	24+4	X		3x25 + 21x4	2x25 + 14x4
		BK072103-F	3	36+6	X		4x25 + 28x4	4x25 + 28x4
		BK072104-F	4	48+8	X		4x25 + 28x4	4x25 + 28x4
		BK072201-F	1	12+2		X	13x0.75 bis 16	13x0.75 bis 16
		BK072202-F	2	24+4		X	13x0.75 bis 16	16x0.75 bis 16
		BK072203-F	3	36+6		X	25x0.75 bis 16	25x0.75 bis 16
		BK072204-F	4	48+8		X	25x0.75 bis 16	25x0.75 bis 16

**DOMESTIC CONSUMER UNIT ENCLOSURES FOR SOLID WALLS KVM**

DESCRIPTION	WxHxD mm	ORDER NO.
<b>KVM - Solid wall</b>		
<b>Enclosure KVM with frame (flat) with door from sheet steel and wall box with spring clamp terminals</b>		
1-row, 12/14MW	359x339x95	BK071001
2-rows, 24/28MW	359x464x95	BK071002
3-rows, 36/42MW	359x589x95	BK071003
4-rows, 48/56MW	359x714x95	BK071004
<b>Enclosure KVM frame (high) with door from sheet steel and wall box with spring clamp terminals</b>		
1-row, 12/14MW	359x339x99	BK071001-F
2-rows, 24/28MW	359x464x99	BK071002-F
3-rows, 36/42MW	359x589x99	BK071003-F
4-rows, 48/56MW	359x714x99	BK071004-F
<b>Wall box KVM</b>		
1-row, 12/14MW	315x325x88	BK071001-A
2-rows, 24/28MW	315x450x88	BK071002-A
3-rows, 36/42MW	315x575x88	BK071003-A
4-rows, 48/56MW	315x700x88	BK071004-A
<b>Frame KVM (flat) with door and insert with spring clamp terminals</b>		
1-row, 12/14MW		BK071101
2-rows, 24/28MW		BK071102
3-rows, 36/42MW		BK071103
4-rows, 48/56MW		BK071104
<b>Frame KVM (high) with door and insert with spring clamp terminals</b>		
1-row, 12/14MW		BK071101-F
2-rows, 24/28MW		BK071102-F
3-rows, 36/42MW		BK071103-F
4-rows, 48/56MW		BK071104-F
<b>Frame KVM (high) with door and insert with screw terminals</b>		
1-row, 12/14MW		BK071201-F
2-rows, 24/28MW		BK071202-F
3-rows, 36/42MW		BK071203-F
4-rows, 48/56MW		BK071204-F

**DOMESTIC CONSUMER UNIT ENCLOSURES FOR PARTITION WALLS KVH**

DESCRIPTION	WxHxD mm	AVAILABLE	ORDER NO.
<b>KVH - Partition wall</b>			
<b>Enclosure KVH with frame (flat) with door from sheet steel and wall box</b>			
1-row, 12/14MW	359x339x95		BK072001
2-rows, 24/28MW	359x464x95		BK072002
3-rows, 36/42MW	359x589x95		BK072003
4-rows, 48/56MW	359x714x95		BK072004
<b>Enclosure KVH with frame (high) with door from sheet steel and wall box</b>			
1-row, 12/14MW	359x339x99		BK072001-F
2-rows, 24/28MW	359x464x99		BK072002-F
3-rows, 36/42MW	359x589x99		BK072003-F
4-rows, 48/56MW	359x714x99		BK072004-F

**DOMESTIC CONSUMER UNIT ENCLOSURES FOR PARTITION WALLS KVH**

DESCRIPTION	WxHxD mm	AVAILABLE	ORDER NO.
<b>KVH - Partition wall</b>			
<b>Wall box KVH</b>			
1-row, 12/14MW	315x325x88		BK072001-A
2-rows, 24/28MW	315x450x88		BK072002-A
3-rows, 36/42MW	315x575x88		BK072003-A
4-rows, 48/56MW	315x700x88		BK072004-A
<b>Frame KVH (flat) with door and insert with spring clamp terminals</b>			
1-row, 12/14MW			BK072101
2-rows, 24/28MW			BK072102
3-rows, 36/42MW			BK072103
4-rows, 48/56MW			BK072104
<b>Frame KVH (high) with door and insert with spring clamp terminals</b>			
1-row, 12/14MW			BK072101-F
2-rows, 24/28MW			BK072102-F
3-rows, 36/42MW			BK072103-F
4-rows, 48/56MW			BK072104-F
<b>Frame KVH (high) with door and insert with screw terminals</b>			
1-row, 12/14MW			BK072201-F
2-rows, 24/28MW			BK072202-F
3-rows, 36/42MW			BK072203-F
4-rows, 48/56MW			BK072204-F

**ACCESSORIES FOR DOMESTIC CONSUMER UNIT ENCLOSURES KVM AND KVH**

<b>Accessories</b>			
Twist lock BK07... complete			BK077005
Extension plug-in term. N (1x25mm <sup>2</sup> , 7x4mm <sup>2</sup> ), without holder			BK071051
Extension plug-in term. PE (1x25mm <sup>2</sup> , 7x4mm <sup>2</sup> ), without holder			BK071052
Plug-in terminal blank for max. 4 plug-in terminals			BK071053
Bracket for horizontal side by side mounting			BK071057
Bracket for vertical combined mounting			BK071058
Lock set incl. 2 keys			BK071059
N/PE plug-in term. 2xN (ea. 1x25, 7x4mm <sup>2</sup> ) / 2xPE (ea. 1x25, 7x4mm <sup>2</sup> )			BK071060
N plug-in term. 3xN (ea. 1x25, 7x4mm <sup>2</sup> ) / 1xN (1x25, 7x4mm <sup>2</sup> )			BK071061
PE plug-in term. 4xPE (ea. 1x25, 7x4mm <sup>2</sup> )			BK071062
Partition plate plastic for BK07...horizontal			BK077000
Cable holder 4 pcs.			BK071050