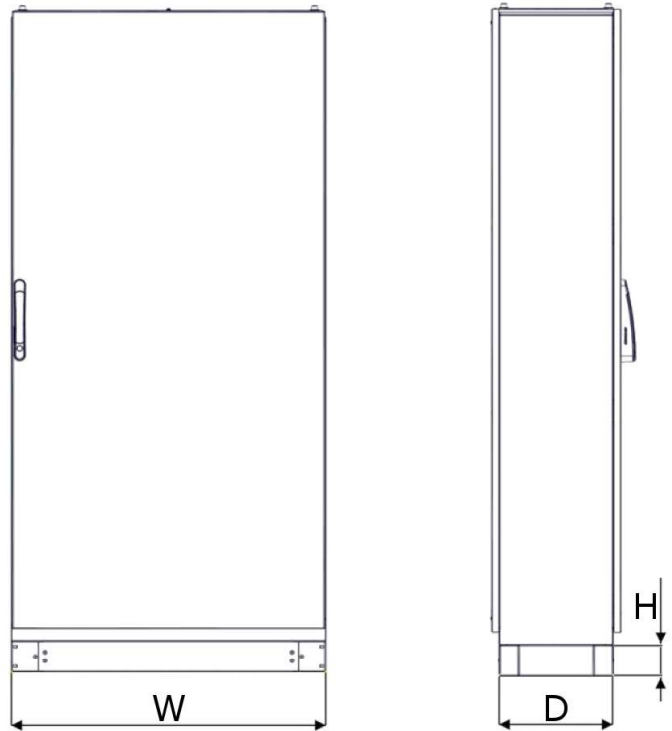
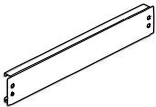

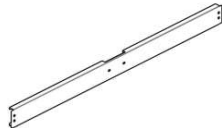
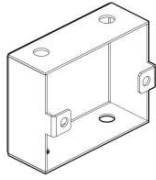







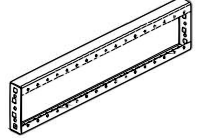
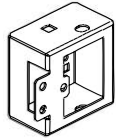



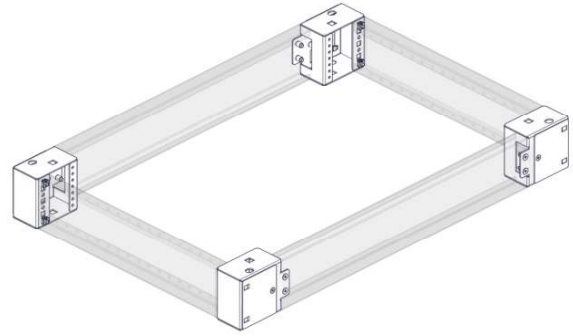
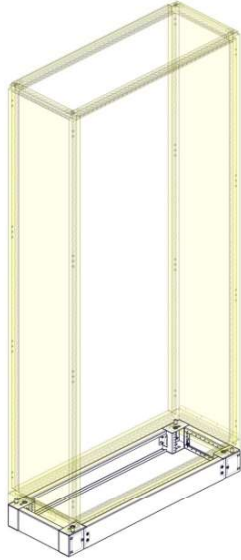
Artikel / Article	Breite / Width [mm]	Tiefe / Depth [mm]	Höhe / Height [mm]
ACSOB061	600	-	100
ACSOB062	600	-	200
ACSOB081	800	-	100
ACSOB082	800	-	200
ACSOB101	1000	-	100
ACSOB102	1000	-	200
ACSOB121	1200	-	100
ACSOB122	1200	-	200
ACSOB161	1600	-	100
ACSOB162	1600	-	200
ACSOT031	-	300	100
ACSOT032	-	300	200
ACSOT041	-	400	100
ACSOT042	-	400	200
ACSOT051	-	500	100
ACSOT052	-	500	200



<p><b>ACSOBxxx</b></p> <p>2x </p> <p>8x </p>	<p><b>ACSOB161</b></p> <p>2x </p> <p>2x </p> <p>12x </p>
---	--

<p><b>ACSOT0xx</b></p> <p>12x M6x12 DIN 7991,BlZn </p> <p>8x M6 </p> <p>8x M6x12 ISO 7380,Zn </p> <p>4x M12 DIN 934,Zn </p> <p>4x M12x20 DIN 912,Zn </p> <p>4x Plug LBS 21,5x15x17,5 </p>	<p>2x </p> <p>4x </p> <p>4x </p>
---	---

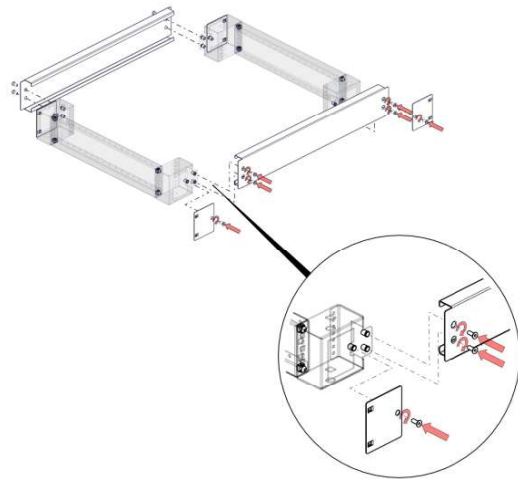
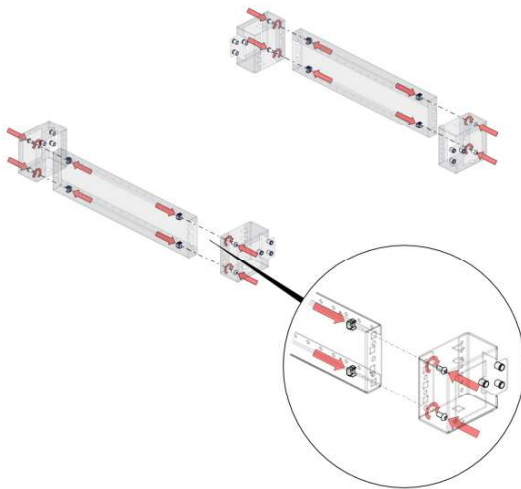
# G



Item 17 (8x)  
SW 4

Item 28 (8x)  
M6

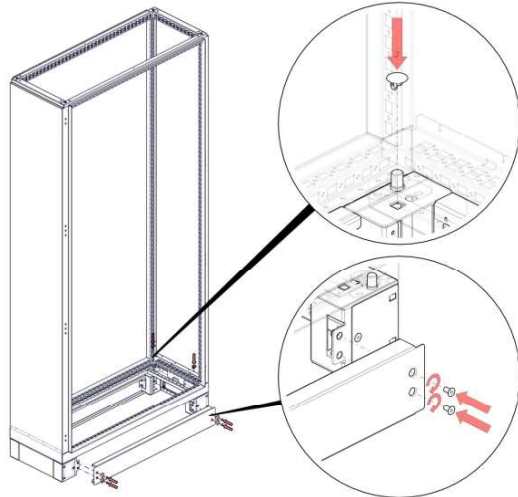
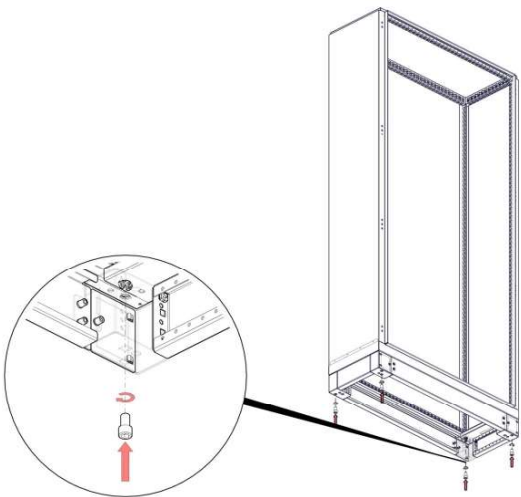
Item 6 (12x)  
TX 30



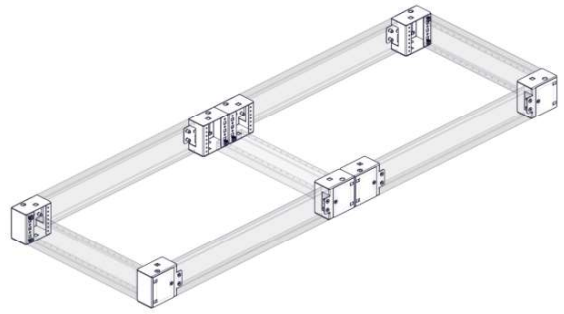
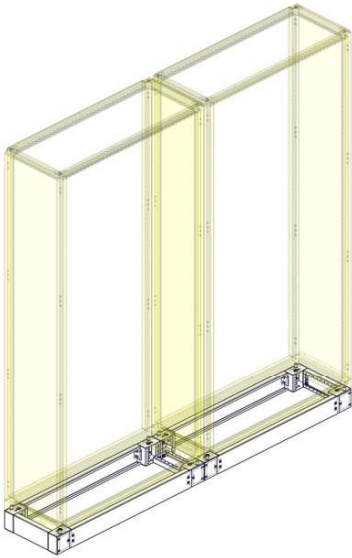
Item 22 (4x)  
SW 10

Item 29 (4x)

Item 6 (8x)  
TX 30

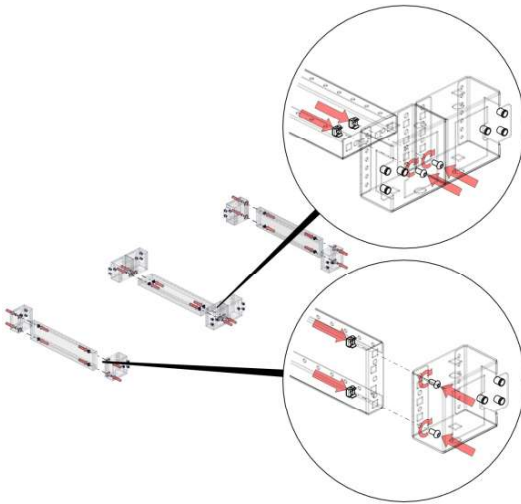


# H

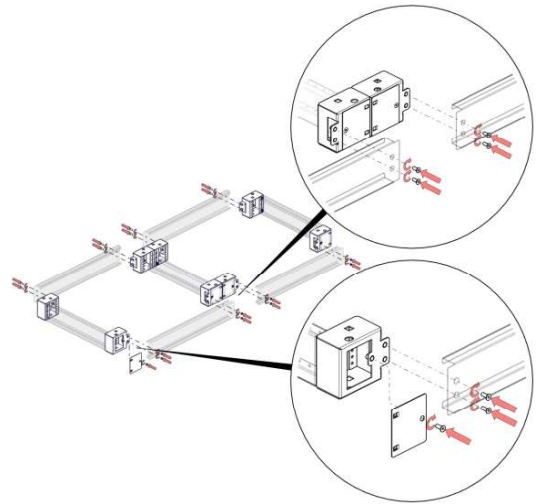


Item 17 (12x)  
● SW 4

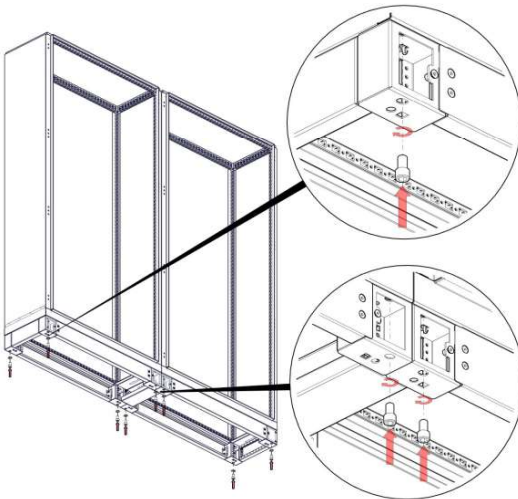
Item 28 (12x)  
M6



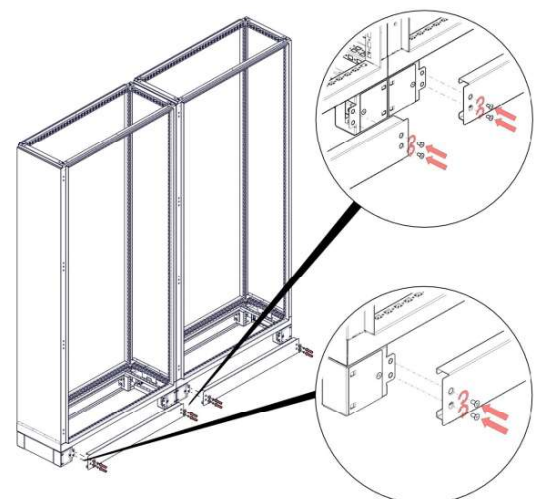
Item 6 (24x)  
● TX 30

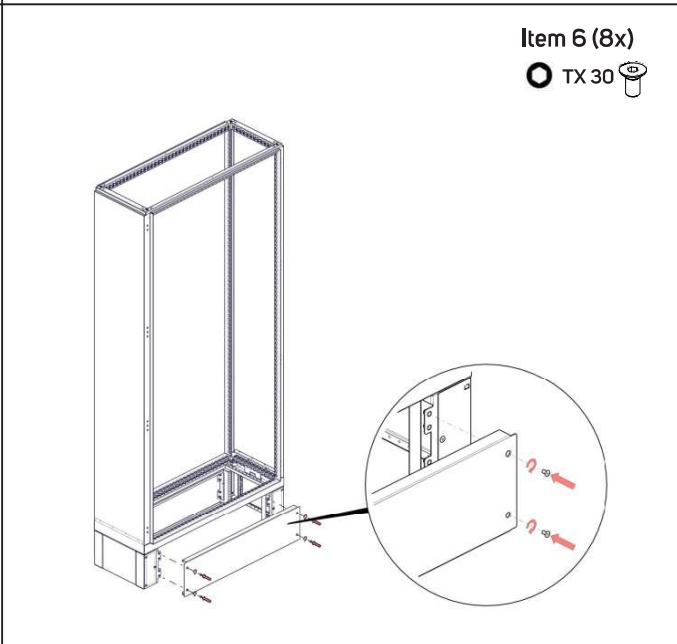
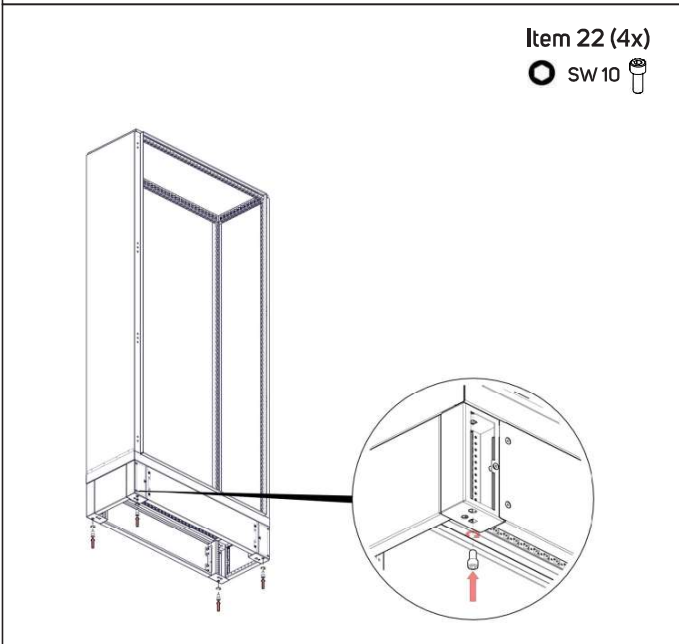
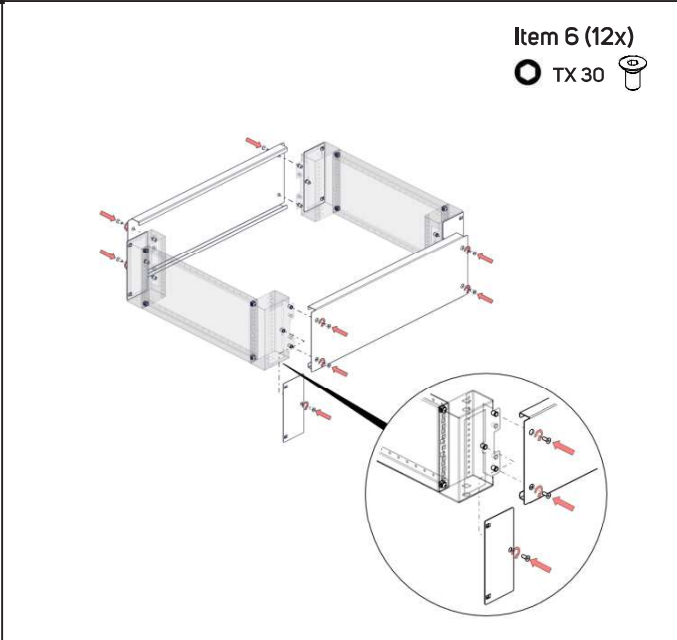
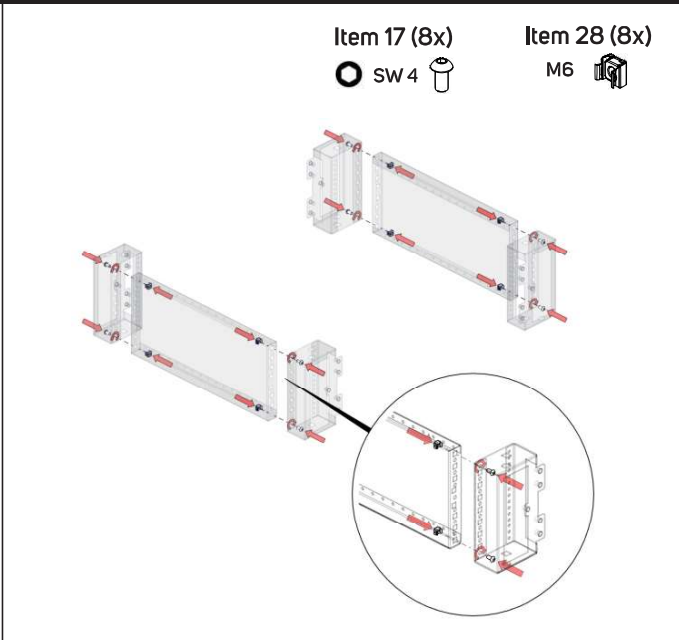
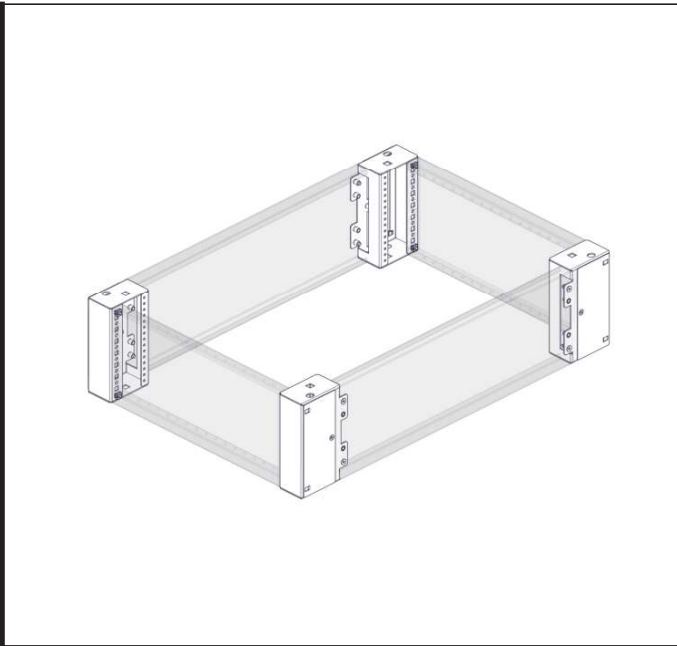
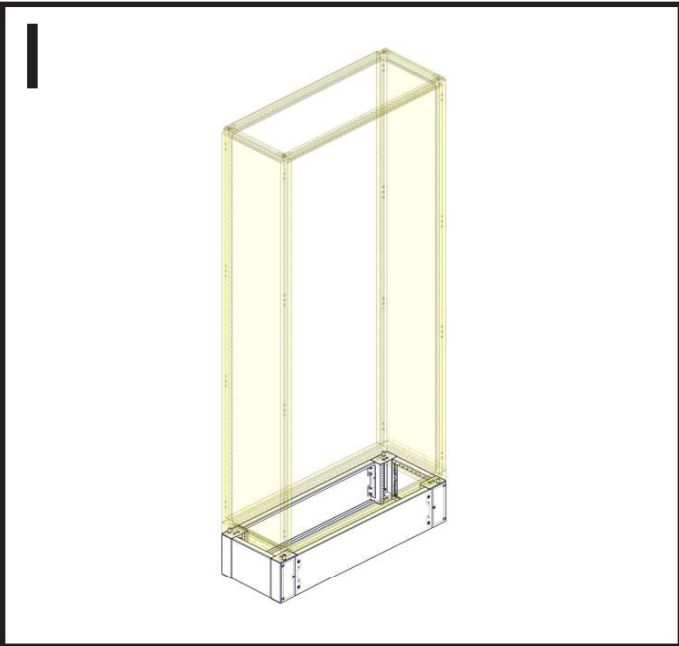


Item 22 (8x)  
● SW 10

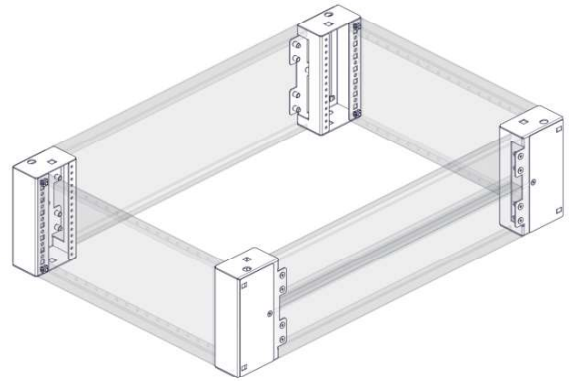
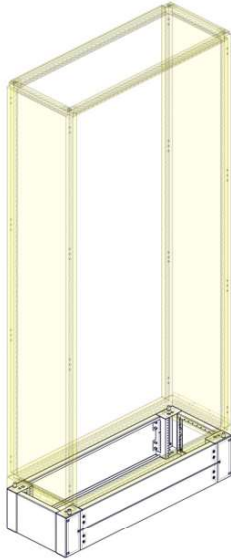


Item 6 (16x)  
● TX 30



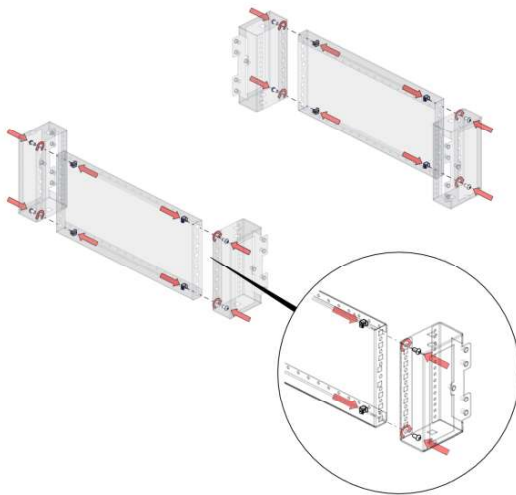


# J

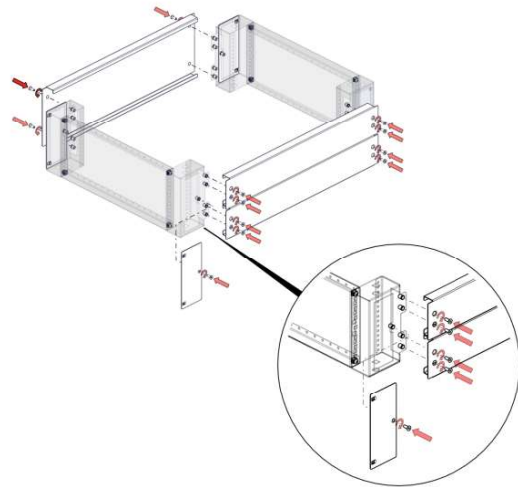


Item 17 (8x)  
● SW 4

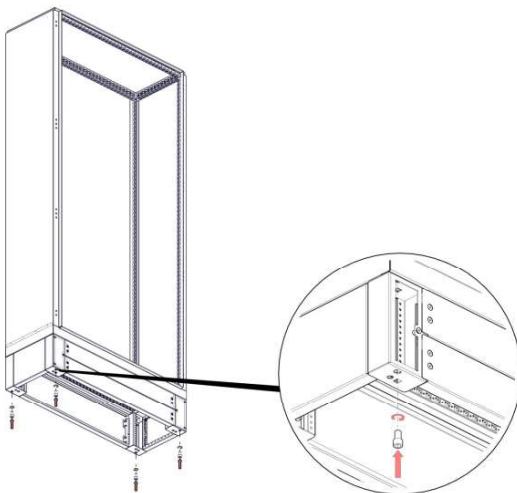
Item 28 (8x)  
M6



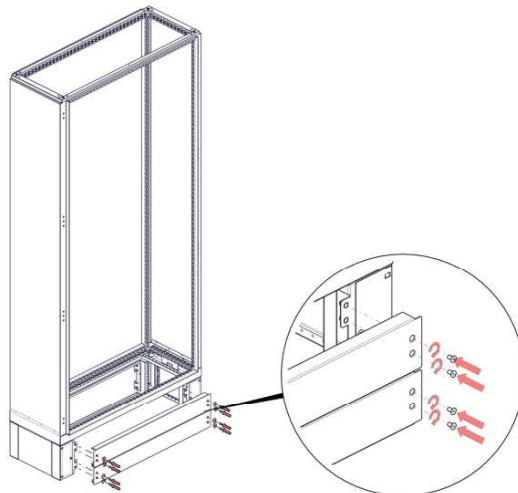
Item 6 (16x)  
● TX 30



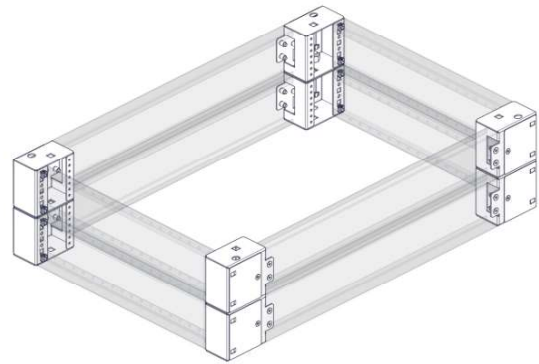
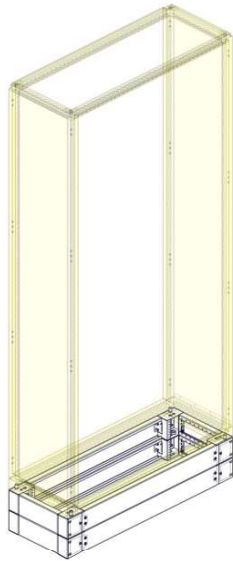
Item 22 (4x)  
● SW 10



Item 6 (12x)  
● TX 30

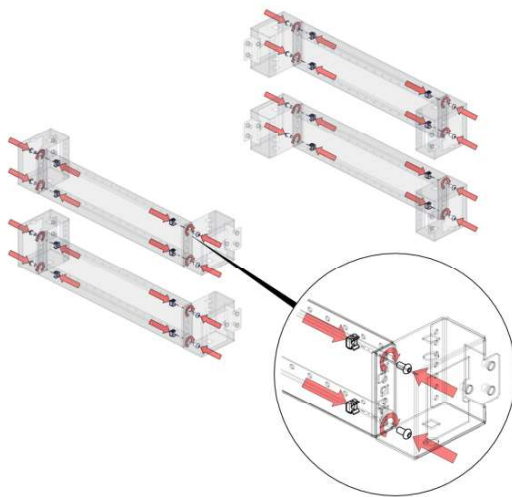


# K



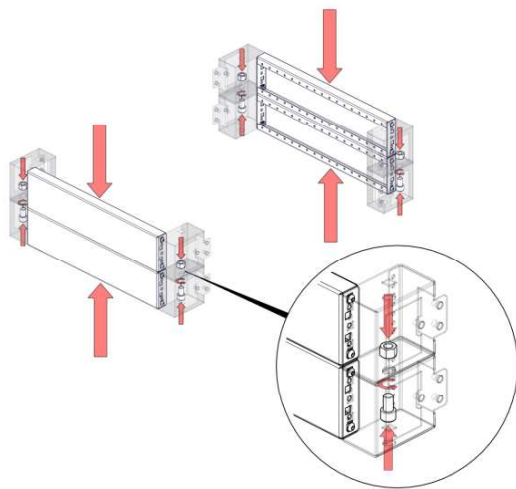
Item 17 (16x)  
 ● SW 4

Item 28 (16x)  
 M6



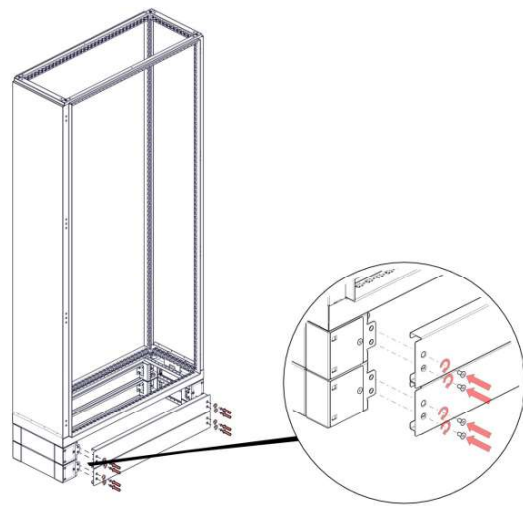
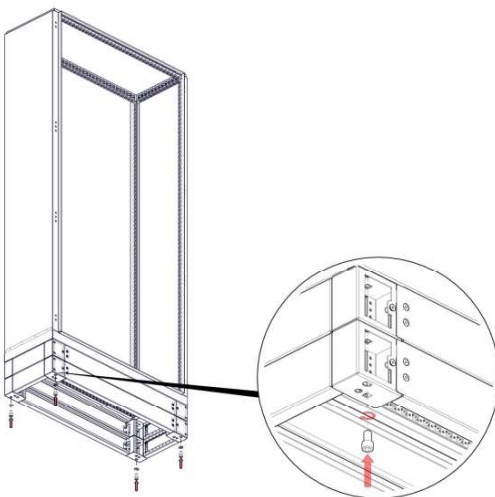
Item 22 (4x)  
 ● SW 10

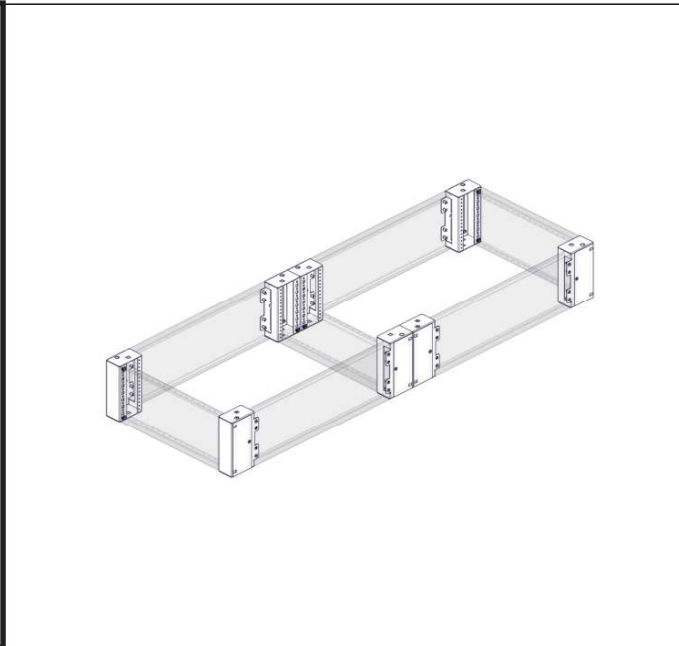
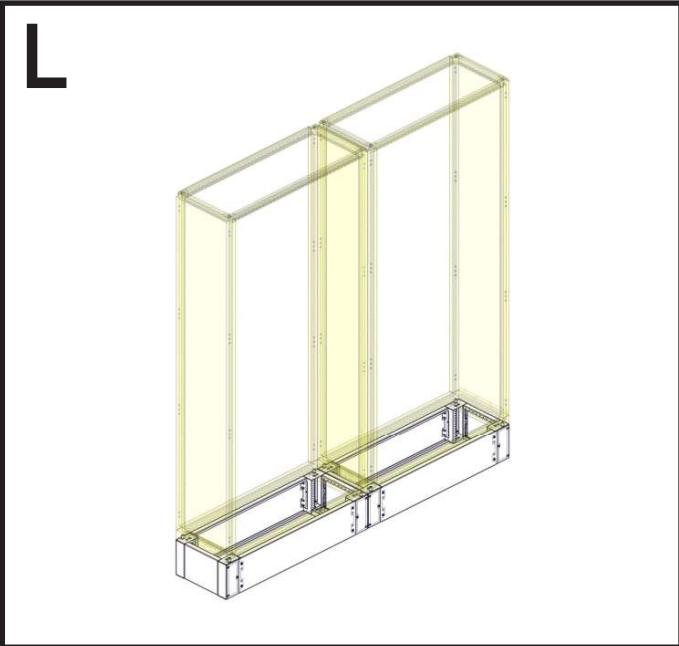
Item 30 (4x)  
 M12



Item 22 (4x)  
 ● SW 10

Item 6 (16x)  
 ● TX 30

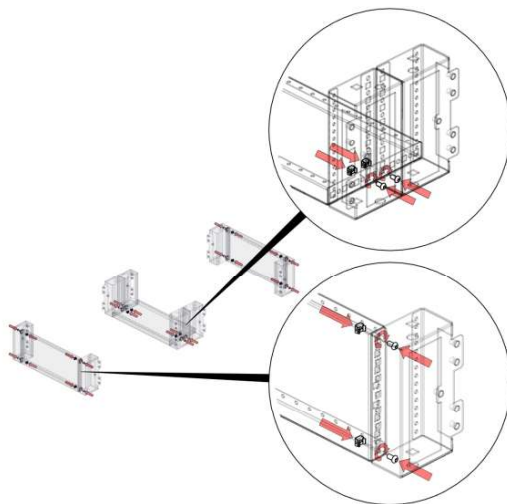




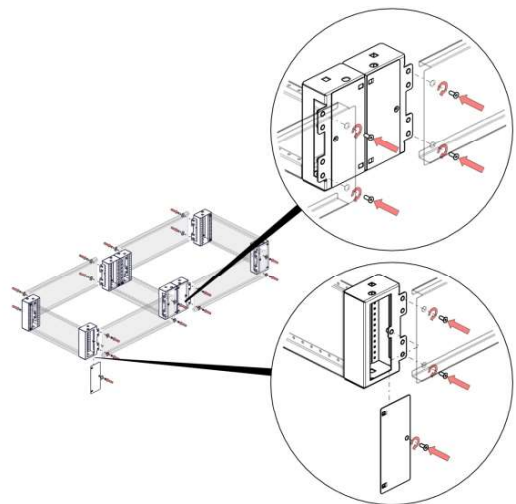
Item 17 (12x)



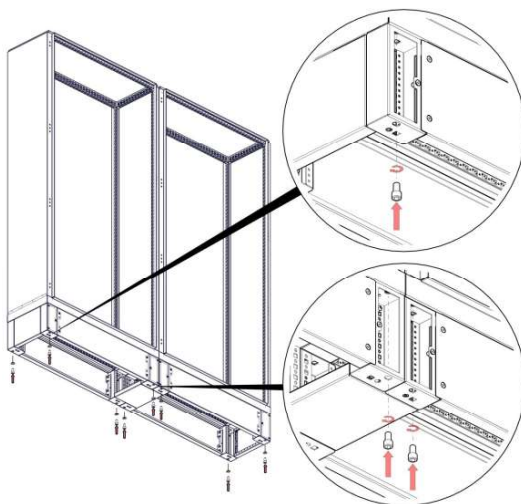
Item 28 (12x)



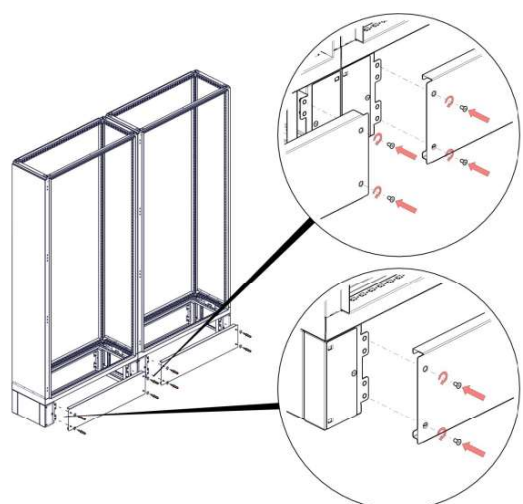
Item 6 (24x)



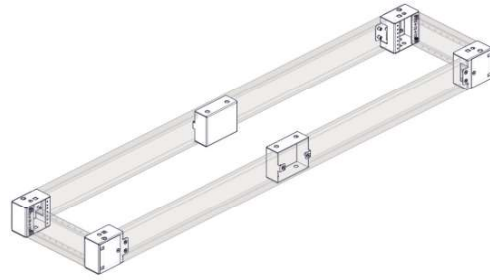
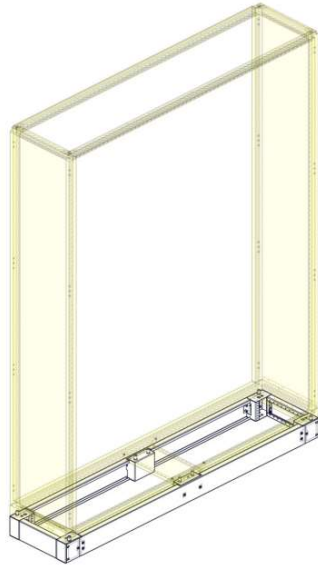
Item 22 (8x)



Item 6 (16x)

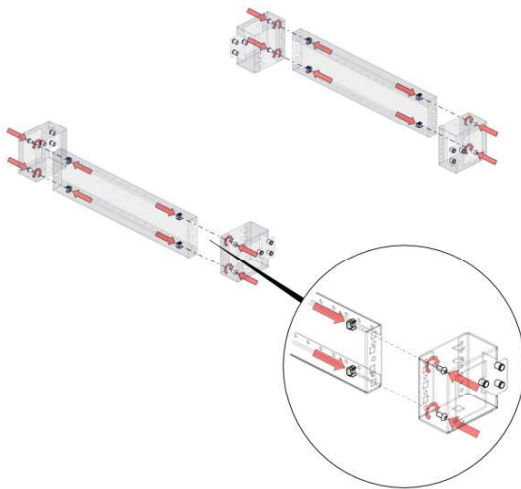


# M

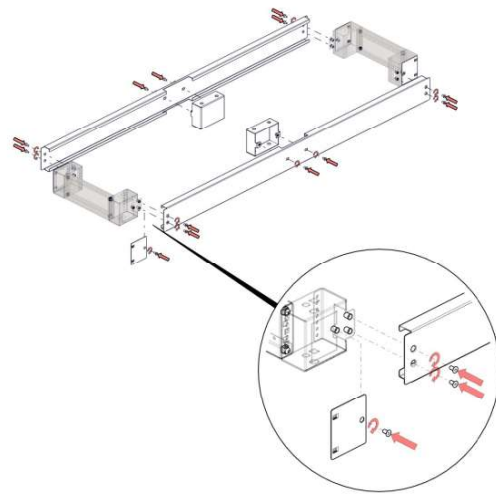


Item 17 (8x)  
● SW 4

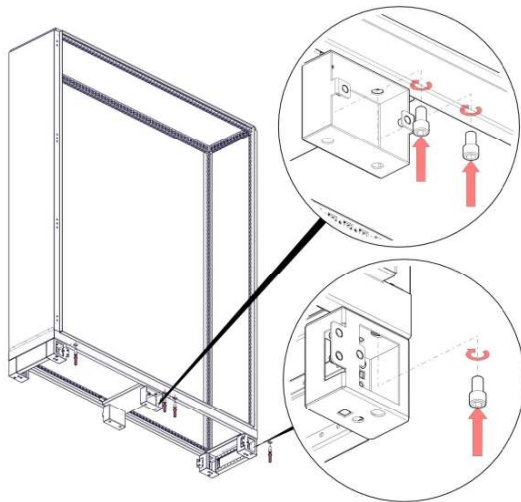
Item 28 (8x)  
M6



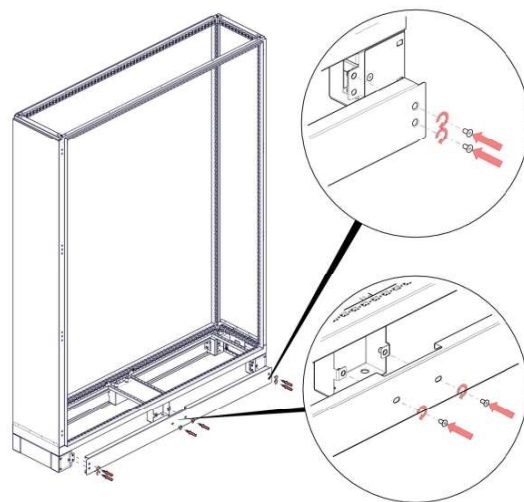
Item 6 (16x)  
● TX 30



Item 22 (10x)  
● SW 10

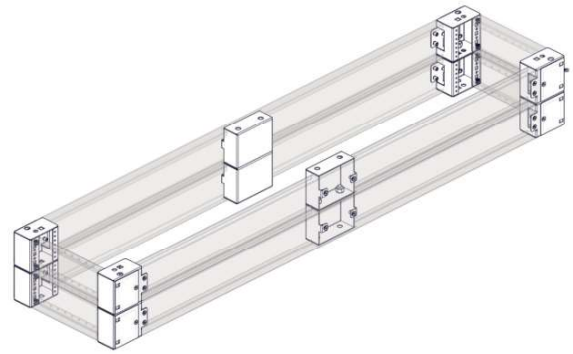
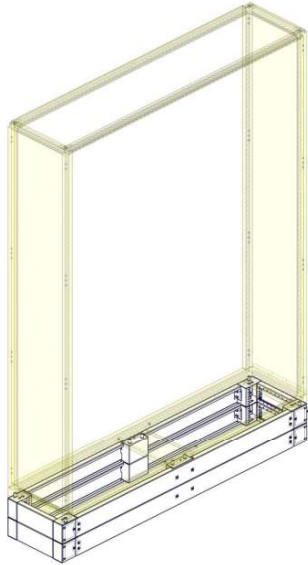


Item 6 (12x)  
● TX 30



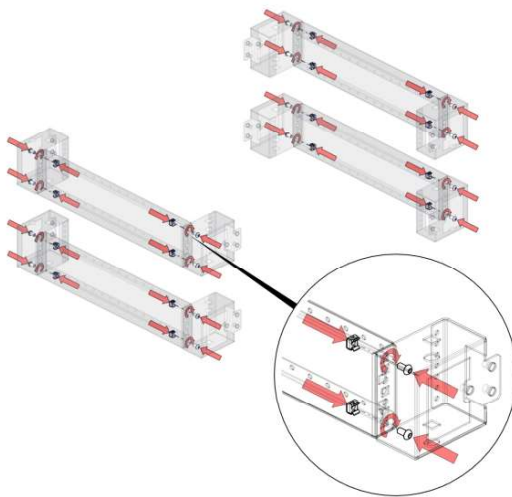


# N



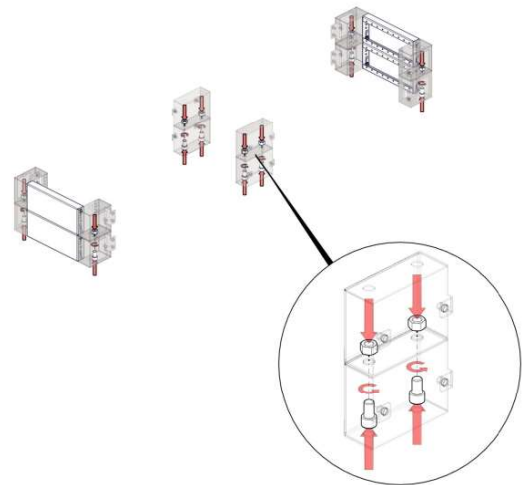
Item 17 (16x)  
● SW 4

Item 28 (16x)  
M6



Item 22 (8x)  
● SW 10

Item 30 (8x)  
M12



Item 22 (8x)  
● SW 10

Item 6 (24x)  
● TX 30

