

DATA SHEET: FILTERFAN IUKNF5523A / EXHAUST FILTER IUKNE450



SCHRACK-INFO

- Installation size 4, air flow rate up to 292 m³/h
- Two performance classes, cut-out compatible
- System of protection IP 54, NEMA type 12
- UL, cUL approval
- Cut-out compatible with installation size 4 from the 3rd Generation
- Standard: 230V AC / 50Hz

TECHNICAL DATA

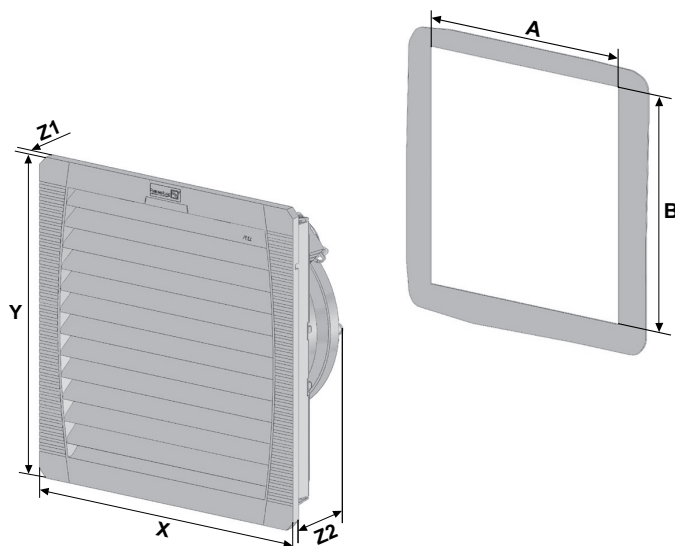
Rated voltage ± 10%	AC 50 Hz / 60 Hz DC, 230 V
Unimpeded airflow	256 / 292 m³/h
Airflow rate in combination (IUKNF5523A + IUKNE550)	231 / 265 m³/h
Power consumption	45 / 39 W
Current consumption	0,32 / 0,26 A
Noise level acc. to EN ISO 3741	42 / 46 dB (A)
Weight	1,67 kg
Type of connection	spring-type terminal
Fuse	6 A
System of protection acc. to EN 60529 / UL 50	NEMA type 12 - standard filter
Filtration efficiency	88 %
Filter mat quality class acc. to DIN EN 779	G 3
Duty cycle	100 %
Bearing type	ball bearing
Service life L ₁₀ (+ 40 °C) ¹	40000 h
Temperature range	- 15 ... + 55 °C
Design (housing and protection against accidental contact)	made of injection-moulded thermoplastic, self-extinguishing, UL 94 VO
Colour	RAL 7035, different colours available on request

¹ Fan failure is defined as being when the current and speed deviate or the operating noises are out of the ordinary.

DIMENSIONS

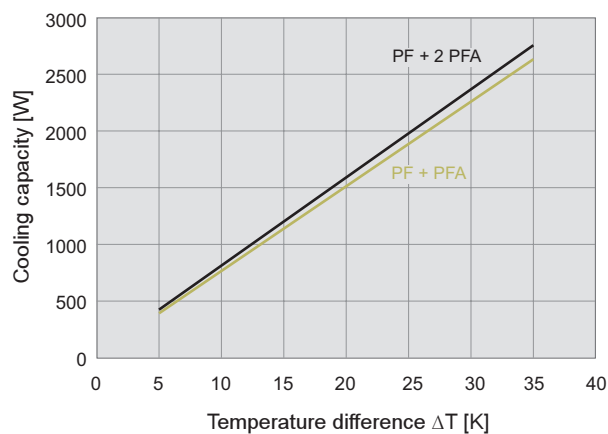
mm	IUKNF5523A		IUKNE450
	AC	DC	
X	252	252	252
Y	252	252	252
Z1	6	6	6
Z2	113	97	38
A ¹	223	223	223
B ¹	223	223	223

¹ for material thicknesses up to 2 mm
+ 1 mm for thickness of material > 2 mm ≤ 3 mm

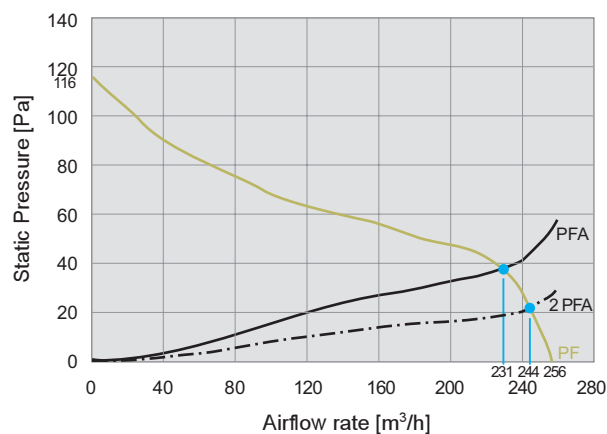


PERFORMANCE CURVES

COOLING CAPACITY PERFORMANCE CURVES



STATIC PRESSURE PERFORMANCE CURVES



DESCRIPTION

Filterfan

ORDER NO.

IUKNF5523A

ACCESSORIES

Exhaust filter

IUKNE450