

DATA SHEET: FILTERFAN IUKNF1523A / EXHAUST FILTER IUKNE150



SCHRACK-INFO

- Installation size 1, air flow rate up to 29 m³/h
- System of protection IP 54, NEMA type 12
- UL, cUL approval
- Cut-out compatible with installation size 1 from the 3rd Generation

TECHNICAL DATA

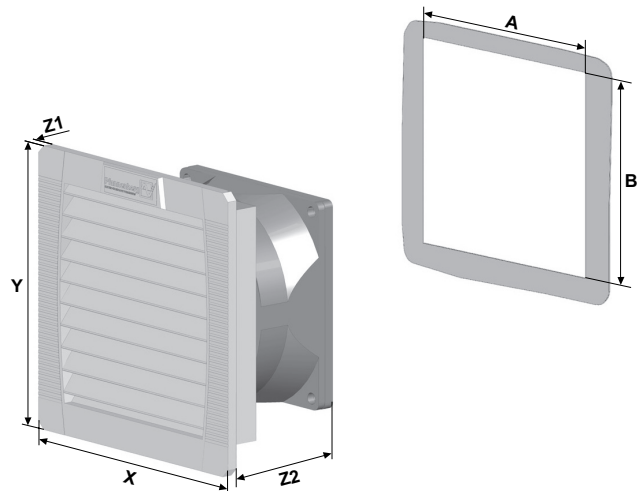
Rated voltage ± 10%	AC 50 Hz / 60 Hz DC, 230 V
Unimpeded airflow	25 / 29 m ³ /h
Airflow rate in combination (IUKNF1523A + IUKNE150)	16 / 18 m ³ /h
Power consumption	12 / 11 W
Current consumption	0,07 / 0,06 A
Noise level acc. to EN ISO 3741	33 / 33 dB (A)
Weight	0,55 kg
Type of connection	cable, 2-core, length 310 mm
Fuse	6 A
System of protection acc. to EN 60529 / UL 50	NEMA type 12 - standard filter
Filtration efficiency	88 %
Filter mat quality class acc. to DIN EN 779	G 3
Duty cycle	100 %
Bearing type	sleeve bearing
Service life L ₁₀ (+ 40 °C) ¹	52500 h
Temperature range	- 15 ... + 55 °C
Design (housing and protection against accidental contact)	made of injection-moulded thermoplastic, self-extinguishing, UL 94 VO
Colour	RAL 7035, different colours available on request

¹ Fan failure is defined as being when the current and speed deviate or the operating noises are out of the ordinary.

DIMENSIONS

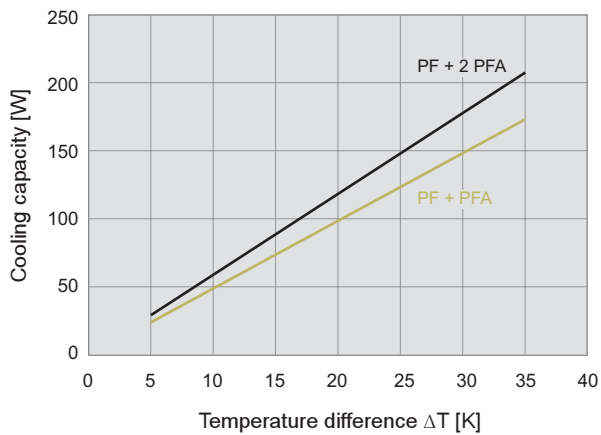
mm	IUKNF1523A		IUKNE150
	AC	DC	
X	109	109	109
Y	109	109	109
Z1	4	4	4
Z2	62	49	19
A ¹	92	92	92
B ¹	92	92	92

¹ for material thicknesses up to 2 mm
+ 1 mm for thickness of material > 2 mm ≤ 3 mm

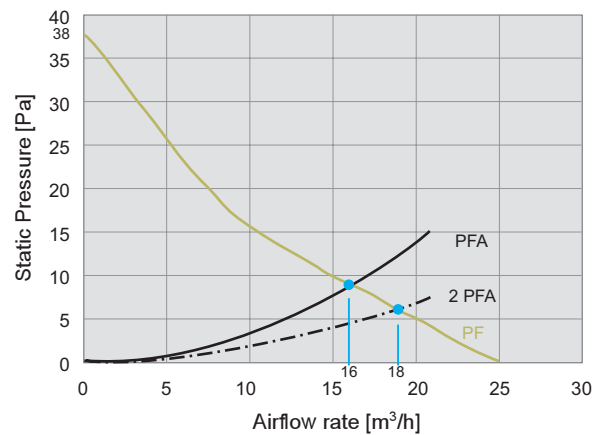


PERFORMANCE CURVES

COOLING CAPACITY PERFORMANCE CURVES



STATIC PRESSURE PERFORMANCE CURVES



DESCRIPTION

Filterfan

ORDER NO.

IUKNF1523A

ACCESSORIES

Exhaust filter

IUKNE150