

TECHNICAL SPECIFICATION

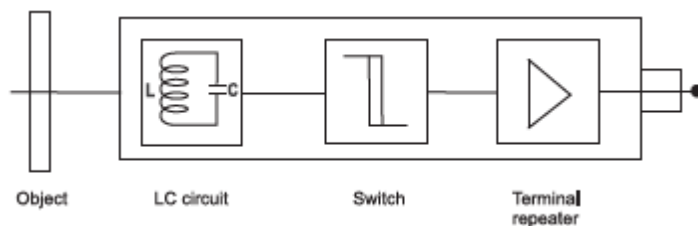
All-purpose proximity switch – series LM xx

Description:

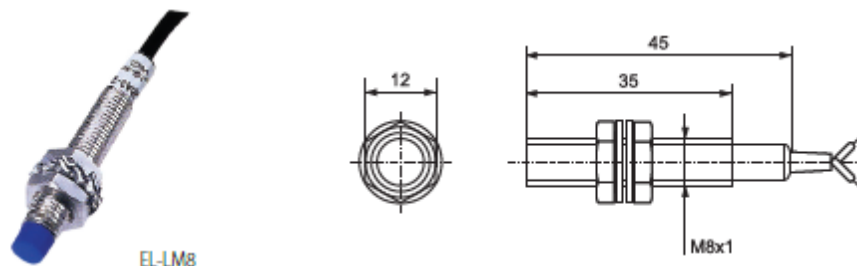
Proximity induction sensors are all-purpose switches used in machine systems and equipment for no contact surveillance of metal elements motion. They can also be used in other machine systems applications as no contact control sensors for level of liquids, control sensors for the speed and position of rotating chains, etc. They are developed on the base of PNP and NPN transition. They have small dimensions and feature a metal cylindrical shell resistant to vibrations and a plastic lid which is oil and water resistant.

Technical data:

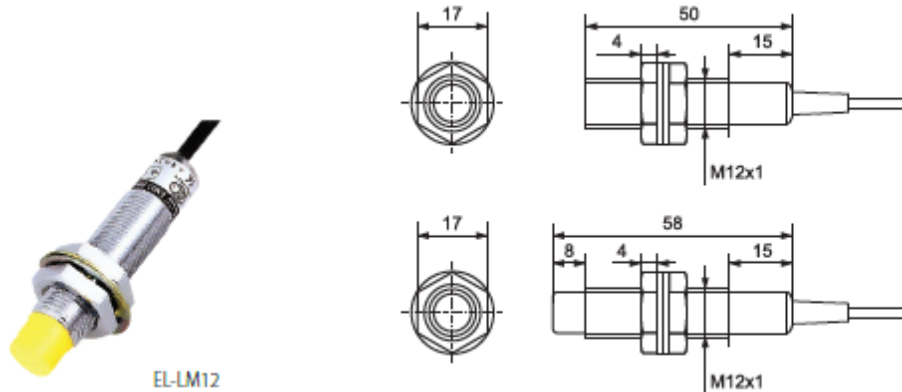
- Insulating resistance: $\geq 50 \text{ M } \Omega$
- Gearing distance: from 2 mm to 7 mm
- Precision of repetition: 0.01
- Ambient temperature: -25°C to $+70^{\circ}\text{C}$
- Gearing speed: 5mm/s
- Rated voltage: 6~36VDC; 90~230VAC
- IP code: IP 67



Variants and dimensions:

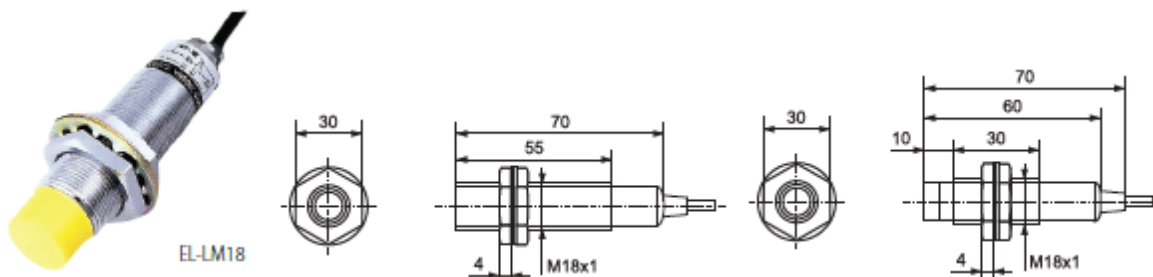


Type	Start distance (mm)	Power supply voltage	Type of transition	Type of contact	Output load	Packing / Box (pcs)	Catalogue number
EL-LM8-3002NA	2	15~30 VDC	NPN	NO	130mA	2 / 200	46LM 8-32NA
EL-LM8-3002NB	2	15~30 VDC	NPN	NC	130mA	2 / 200	46LM 8-32NB
EL-LM8-3002PA	2	15~30 VDC	PNP	NO	130mA	2 / 200	46LM 8-32PA
EL-LM8-3002PB	2	15~30 VDC	PNP	NC	130mA	2 / 200	46LM 8-32PB
EL-LM8-2002A	2	90~230VAC	SCR	NO	150mA	2 / 200	46LM 8-22A



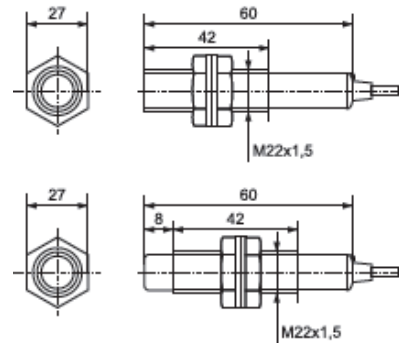
EL-LM12

Type	Start distance (mm)	Power supply voltage	Type of transition	Type of contact	Output load	Packing / Box (pcs)	Catalogue number
EL-LM12-3004NA	4	15~30 VDC	NPN	NO	200mA	2 / 200	46LM 12-34NA
EL-LM12-3004NB	4	15~30 VDC	NPN	NC	200mA	2 / 200	46LM 12-34NB
EL-LM12-3004PA	4	15~30 VDC	PNP	NO	200mA	2 / 200	46LM 12-34PA
EL-LM12-3004PB	4	15~30 VDC	PNP	NC	200mA	2 / 200	46LM 12-34PB
EL-LM12-2004A	4	90~230VAC	SCR	NO	300mA	2 / 200	46LM 12-24A



EL-LM18

Type	Start distance (mm)	Power supply voltage	Type of transition	Type of contact	Output load	Packing / Box (pcs)	Catalogue number
EL-LM18-3008NA	8	15~30 VDC	NPN	NO	200mA	1 / 200	46LM 18-38NA
EL-LM18-3008NB	8	15~30 VDC	NPN	NC	200mA	1 / 200	46LM 18-38NB
EL-LM18-3008PA	8	15~30 VDC	PNP	NO	200mA	1 / 200	46LM 18-38PA
EL-LM18-3008PB	8	15~30 VDC	PNP	NC	200mA	1 / 200	46LM 18-38PB
EL-LM18-2008A	8	90~230VAC	SCR	NO	300mA	1 / 200	46LM 18-28A



Type	Start distance (mm)	Power supply voltage	Type of transition	Type of contact	Output load	Packing / Box (pcs)	Catalogue number
EL-LM22-3010NA	10	15~30 VDC	NPN	NO	200mA	1 / 200	46LM 22-30NA
EL-LM22-3010NB	10	15~30 VDC	NPN	NC	200mA	1 / 200	46LM 22-30NB
EL-LM22-3010PA	10	15~30 VDC	PNP	NO	200mA	1 / 200	46LM 22-30PA
EL-LM22-3010PB	10	15~30 VDC	PNP	NC	200mA	1 / 200	46LM 22-30PB
EL-LM22-2010A	10	90~230VAC	SCR	NO	300mA	1 / 200	46LM 22-20A

Type	Start distance (mm)	Power supply voltage	Type of transition	Type of contact	Output load	Packing / Box (pcs)	Catalogue number
EL-LM12-4002A	2	230VAC	inductive	NO	100mA	2 / 200	46LM 12-44A
EL-LM12-4004A	4	230VAC	inductive	NO	300mA	2 / 200	46LM 12-46A
EL-LM18-4006A	6	230VAC	inductive	NO	100mA	1 / 100	46LM 18-44A
EL-LM18-4008A	8	230VAC	inductive	NO	300mA	1 / 100	46LM 18-48A

Standards: EN 60947-5-2:2007/A1:2012

EN 60947-5-3:1999/A1:2005

