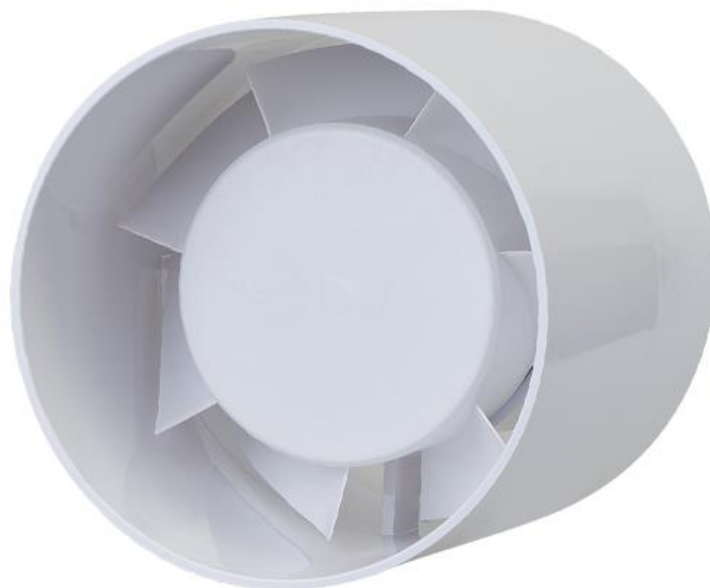


DOMESTIC AXIAL FANS

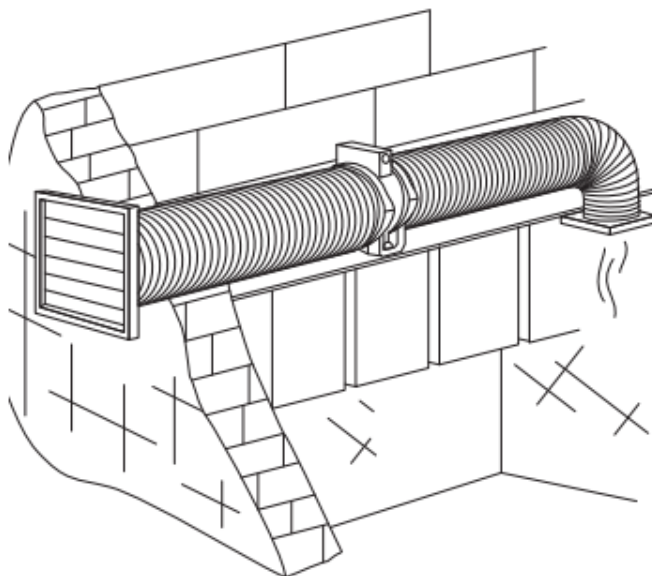
ELMARK AC SERIES



- Rated voltage: 220-240V

AREAS OF APPLICATION:

- Kitchens
- Showers
- Bathrooms
- Utility spaces
- Supply ventilation



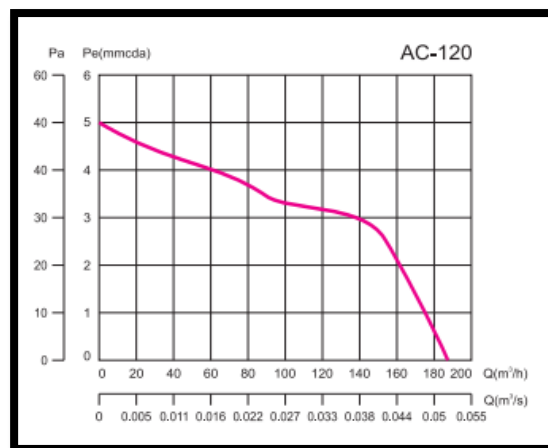
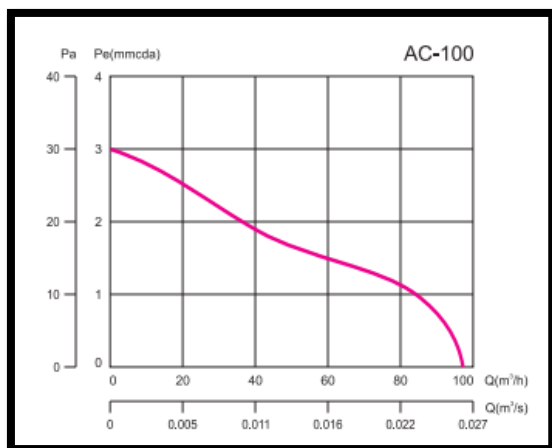
DESIGN :

- Plastic housing and impeller
- Modern design and aesthetic look
- Designed for ventilation where you want to stop spreading humidity and unpleasure smells.

TECHNICAL SPECIFICATION

MOTOR :

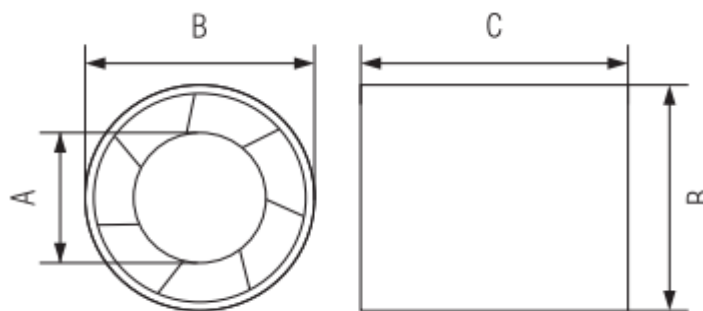
- Equipped with thermal cut out protection
- Low power consumption
- High materials quality and high efficiency
- Do not use in rooms where the temperature is above 40°C
- IP code: IP-X4
- Insulation class: B



OPTIONS :

- Compatible with 100 and 120 mm PVC or flexible air ducts
- Possibility to mounting in in the ventilation systems

DIMENSIONS :



Overall dimensions (mm)			
Model	ØA	ØB	C
AC-100	60	97	92
AC-120	65	118	96

TECHNICAL SPECIFICATION

VARIANTS :

Model	Diameter	Power	r.p.m	Maximum air capacity	Sound pressure level db	Packing	Catalogue number
	(mm)	(W)		(m3/h)	(A)		
AC-100	100	15	2500	98	41	12	500117
AC-120	120	20	2450	190	43	12	500118

BARCODES :

3800131203748	500117
3800131203755	500118