

# EL<sup>®</sup>MARK

The Brand of Electricity

## LED PROFILES S48 SERIES

## RECESSED MOUNTING

### [GENERAL INFORMATION »](#)

- 
- ∴ Rated voltage: 230V/ 50-60Hz
  - ∴ Power: 12W; 24W; 32W
  - ∴ Power supply: 42V SELV driver
  - ∴ Colour temperature: 4000K
  - ∴ Type of LED: SMD
  - ∴ Colour: White; Black; Grey
  - ∴ Body: Aluminium
  - ∴ Reflector: Polycarbonate (PC)
  - ∴ Clamps: Inox
  - ∴ Beam angle: 90°
  - ∴ Colour rendering index: Ra≥80
  - ∴ Switch on/off: >15 000
  - ∴ Long life: 20 000h
  - ∴ Protection against dust and moisture: IP40
  - ∴ Available in variant with an emergency kit

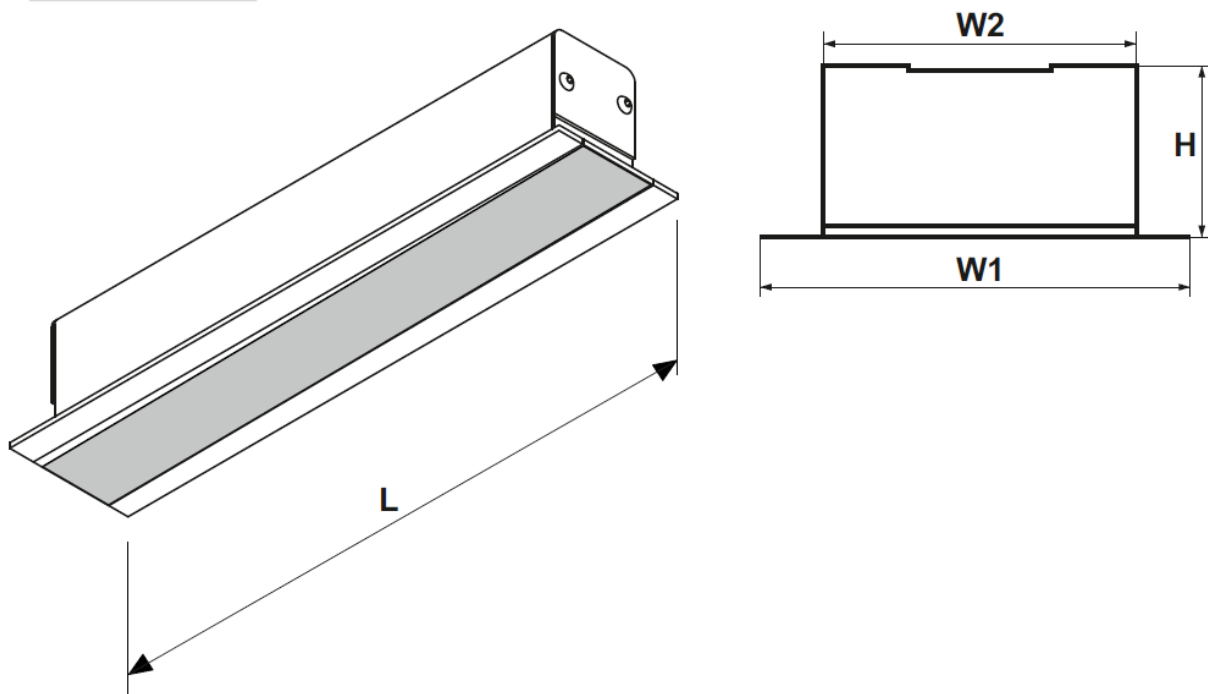
### [FEATURES »](#)

- ∴ Elegant and practical luminaires
- ∴ Pleasant and uniform light distribution
- ∴ Best alternate For LED tubelites with decorative and aesthetic look
- ∴ Low power consumption
- ∴ Repeated switch on/off does not affect the lifespan
- ∴ Instant light with maximum luminous flux
- ∴ Environmentally friendly - no mercury and lead
- ∴ No ultraviolet and infrared rays
- ∴ Resistant to shock and vibration-free body
- ∴ Low heat emission
- ∴ Suitable for commercial sites, residence buildings, banks, offices

## PRODUCT DETAILS »

Catalogue number	Catalogue number with Emergency kit	Colour	Watt (W)	Whole fixture lumens (lm)	Colour temp. (K)
99FM604012/BL	99FM604012/BLE	Black	12	1140	4000
99FM1204024/BL	99FM1204024/BLE	Black	24	2280	4000
99FM1504032/BL	99FM1504032/BLE	Black	32	3040	4000
99FM604012/WH	99FM604012/WHE	White	12	1140	4000
99FM1204024/WH	99FM1204024/WHE	White	24	2280	4000
99FM1504032/WH	99FM1504032/WHE	White	32	3040	4000
99FM604012/GR	99FM604012/GRE	Grey	12	1140	4000
99FM1204024/GR	99FM1204024/GRE	Grey	24	2280	4000
99FM1504032/GR	99FM1504032/GRE	Grey	32	3040	4000

## DIMENSIONS »



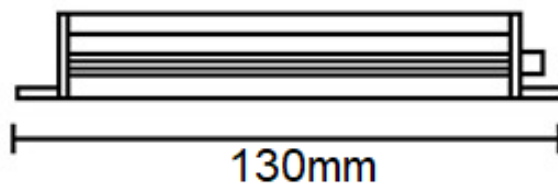
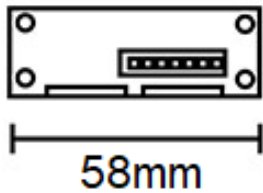
Model	Length (mm)	Width 1 (mm)	Width 2 (mm)	Height (mm)
12W	600	70	47.8	22.4
24W	1200	70	47.8	22.4
32W	1500	70	47.8	22.4

## LED EMERGENCY KIT SPECIFICATIONS »

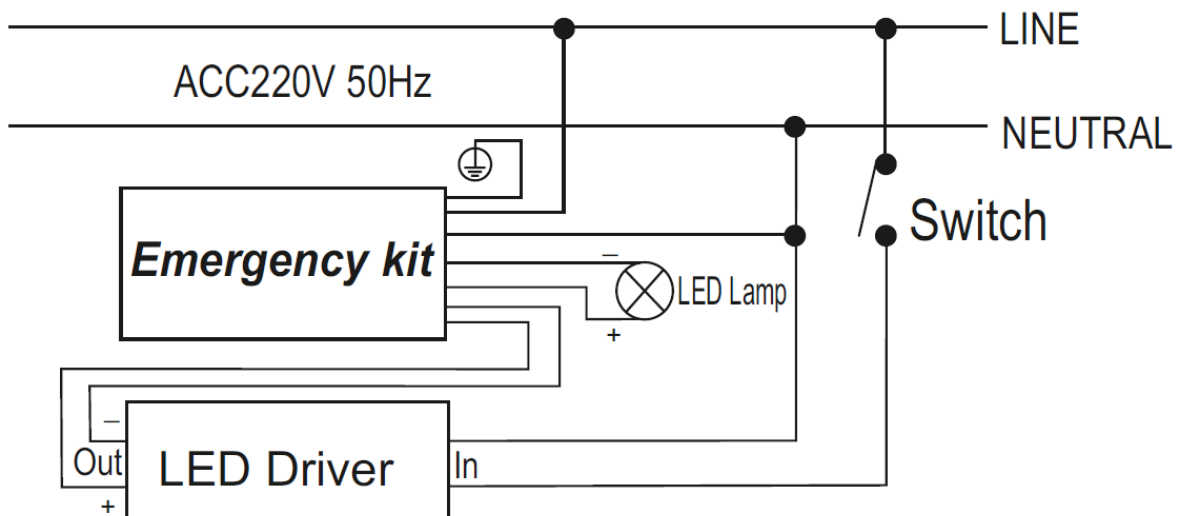


### General information »

- ∴ Voltage: AC85-265V 50Hz
- ∴ Emergency Output: 3-40W
- ∴ Emergency Time: 2hrs (120mins)
- ∴ Battery: 3.7V 2400mAh
- ∴ Emergency Switching Time: <2s
- ∴ AC Fuse: 250V 1A
- ∴ DC Fuse: 250V 5A
- ∴ Luminous Flux: >100lm
- ∴ Light Source: LED
- ∴ Working temperature: -10°C +55°C
- ∴ IP Rate: IP30




### Wiring diagram




● - It indicates the connection    ● Red = Charging    ● Blue = Emergency    ● Green = Power

## ADDITIONAL INFORMATION »




99FM604012/BL

---




This luminaire contains built-in LED lamps.



The lamps cannot be changed in the luminaire.

874/2012



### Accessories

L-corner for LED profiles S48series recessed

- White: 99FML/WH
- Black: 99FML/BL
- Grey: 99FML/GR
- size: 420x420mm



Inside corner for LED profiles S48 series recessed

- White: 99FMI/WH
- Black: 99FMI/BL
- Grey: 99FMI/GR
- size: 420x420mm



Catalogue number	Barcode	Packing/Box (pcs)
99FM604012/BL	3800131209825	1/1
99FM1204024/BL	3800131210029	1/1
99FM1504032/BL	3800131210036	1/1
99FM604012/WH	3800131210074	1/1
99FM1204024/WH	3800131210081	1/1
99FM1504032/WH	3800131210098	1/1
99FM604012/GR	3800131210043	1/1
99FM1204024/GR	3800131210067	1/1
99FM1504032/GR	3800131209849	1/1

