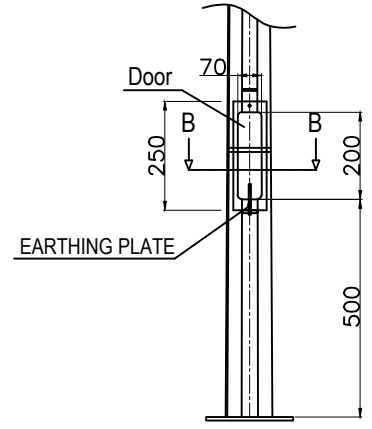
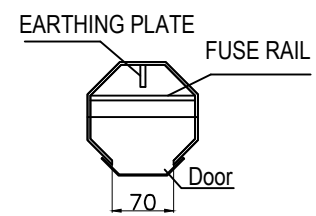


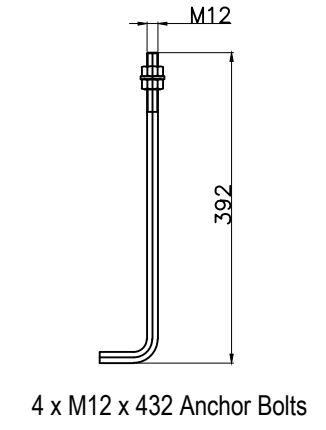
DETAY-C



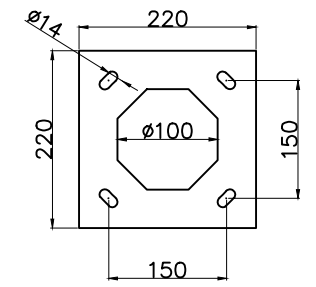
FUSE DETAIL



B-B Section



4 x M12 x 432 Anchor Bolts



BASE PLATE
8 mm x 220 x 220

GENERAL NOTES / GENEL NOTLAR	MATERIAL/MALAZEME	DESIGN/HAZIRLAYAN	NAME/ İSİM	SING/ İMZA	DATE/ TARİH	Stalp Octogonal cu flansa 5m din otel galvanizat	
* TUM ÖLÇÜLER mm.DİR	SAFT / GÖVDE	S235	E. AYGÜN		12/03/2019		SİP/TEK NO
* ALL DIMENSIONS ARE IN mm	FLANGE / FLANŞ	S235	E. BOLAT		12/03/2019		
* TUM ÇELİK ELEMANLAR . ÇİVATA,SOMUN VE RONDELALAR SICAK DALDIRMA GALVANİZDİR (EN ISO 1461	OTHER ACCESSORIES / DİĞER AKSESUARLAR	S235	E. AYGÜN		12/03/2019	TARİH	12/03/2019
* ALL STEEL ITEMS.BOLTS.NUTS & WASHERS TO BE HOT-DIPO GALVD.AS PER (EN ISO 1461)			E. AYGÜN		12/03/2019	SHEET 1 OF 1	ÖLÇEK/ SCALE REV.
* TASARIM KRİTELLERİNE GÖRE ÇİVATALAR (ISO 898) 5.8 & 6.8 & 8.8 OLARAK KULLANILABİLİR			M. ÖREN		12/03/2019		
* BOLTS CAN BE USED AS (ISO 898) 5.8 & 6.8 & 8.8 ACCORDING TO DESIGN CRITERIA						DESIGN NOTES/ TASARIM NOTLARI DESING WIND SPED / TASARIM RÜZGAR HIZI FOCTOR OF SAFETY / GÜVENLİK KAT SAYISI DESIGN STANDART / TASARIM STANDARDI	