

KNX: the Standard for home and building automation

KNX technology is the standard technology of the Gewiss range for Home and Building Automation. Since 2004, KNX technology has represented European Standard EN50090 for home and building automation and, in late 2006, it became the world Standard ISO/IEC 14543.

KNX is an open standard, sustained by more than 420 manufacturers (from 39 different countries) who are leaders in the domestic and commercial sectors, with an overall range that exceeds 10,000 devices, for a total of over 20 million nodes installed throughout the world!

Configuration

The Gewiss KNX products for Building Automation must be configured - in compliance with the Standard - via a PC using the ETS configuration software, sold by the KNX association.

Functions

The functions that can be created with the range of Gewiss KNX products are: control of lights and roller shutters, temperature control, energy control, burglar alarm, remote supervision and control of the whole system, both in local or by remote, via internet, through the HAPPY HOME app, for smartphone and tablet.

The system

The KNX automation system is an event piloted distributed intelligence system ensuring maximum power, flexibility and simplicity when creating all Home and Building Automation functions.

It is more simple than traditional electrical systems because of the way the devices are connected: each device is connected in parallel to the BUS cable, from which it gets the power needed for functioning and through which the exchange of information is carried out (commands and states) with the other devices in the system.

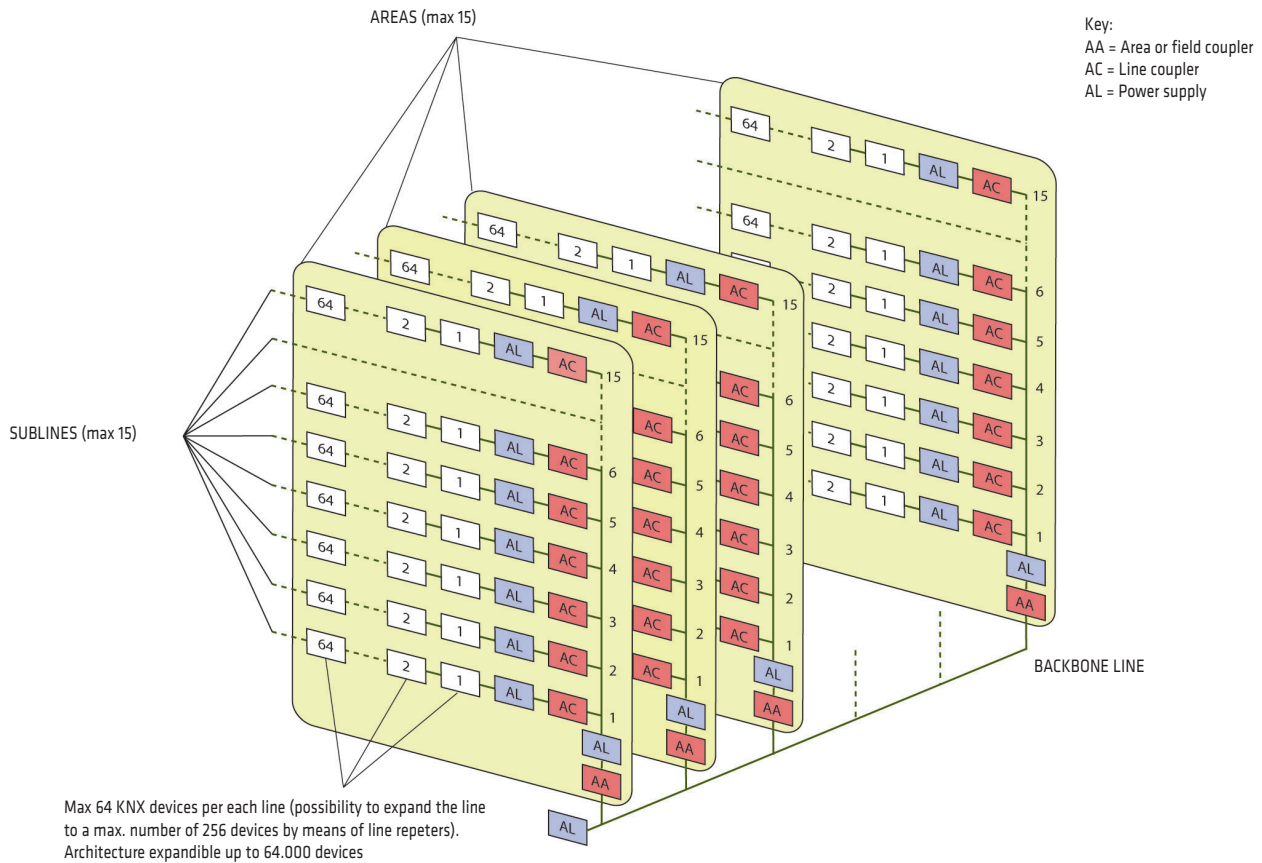
The KNX system is a SELV system, which means that it guarantees maximum safety for users who access the functions it contains: for example, pressing push-buttons to command lights, or adjusting a thermostat to modify the temperature.

The KNX BUS cable is a twisted and shielded cable, ensuring great immunity to system disturbances. There are two different types of KNX BUS cable: with one or two pairs. When a cable has two pairs, the second pair is used as a supplementary pair, e.g. to distribute a supplementary power supply when the one distributed by the main pair (along with the data signal) is not enough.

Automation is achieved by decentralising the intelligence elaboration capacity to the single devices, unlike what happens in centralised systems (e.g. a PLC) where there is a single central unit which all the functions refer to. This considerably increases system reliability - in fact, a fault in a device compromises only those functions carried out by that device, while all the other devices go on working as usual.

Architecture and conformation

The KNX BUS system consists of areas connected to each other by a Main Backbone Line. In each area there is a Main Line from which several Sublines branch out, and to which the devices (sensors, actuators, push-buttons, etc.) are connected.



The Main Area Lines are connected to the Main Backbone Line through special devices called Area (or Field) Couplers, while the Sublines are connected to the Main Lines through Line Couplers.

The functions of the Area (or Field) Coupler and the Line Coupler are carried out by a single device called a Line/Field Coupler. This device, when appropriately configured, can act also as simple Repeater.

Each line must include a BUS power supply unit to send power to the connected devices.

The following are the limitations that must be observed for each line (Backbone, Main and Sublines):

- Total length: max. 1000m, summing up all the cable segments comprising the line (the total length can be exceeded using repeaters).
- The maximum length of the line between the BUS power supply unit and the furthest BUS device must not exceed 350m.
- The maximum length of the line between two BUS devices is 700m.
- Number of power supply units on the same line: max 2.
- Distance (measured along the cable) between two power supply sources for the same line: min 200m.

The couplers electrically isolate the various parts of the system in order to prevent a single electrical malfunction from compromising the functions of the whole system.

The couplers also act as "filters" for the messages (data packages) transmitted by the single devices, in order to avoid the useless transmission of messages to the whole network, which would limit the communication capacity (or band), of the system.

The function of the couplers is therefore of vital importance when the KNX network is very extensive. The couplers give the system a high level of electrical and functional reliability and allow simultaneous and independent communication on different lines or areas.

The Lines (Backbone Line, Area Main Line and Sublines) need not respect any installation restrictions, and so can be laid in any conformation: linear, star, tree and mixed, without needing line terminators.

A KNX BUS system can even be comprised of a single line, which is typical for small systems (e.g. in an apartment or a house).

Transmission technique and BUS access

The data transmission between the BUS devices is through telegrams using techniques which make the use of resistances for line terminations unnecessary and which make possible any network conformation.

Data transmission on the BUS line is symmetric, the single bytes are transmitted by imposing a potential difference between the two BUS cables without reference to ground and, in this way, the system is immune to the external disturbances which commonly act on two wires.

Each device can transmit on the BUS independently from all other devices, so overlapping can occur and for this reason a special access procedure to the BUS ensures that no data is lost and that the BUS is always in operation.

Selecting the devices

The selection of the devices needed to create a KNX system must obviously be made according to the functional system specifications.

There are system devices which don't carry out automation functions but which are needed to create the network infrastructure.

These devices must be considered as listed below, in relation to the extension and size of the network:

- Power supply units: each line must have at least one power supply unit and the size of the power supply unit must be selected according to the number of devices connected to the line.
- Line/Field couplers: there should be one coupler for each Subline and for each area.
- KNX/USB or KNX/IP: used to configure the system via PC.

Configuring the devices

The KNX BUS devices require configuration. The configuration is carried out with a PC (e.g. a laptop), using the ETS software (EIB Tool Software). Access to the devices is typically through USB serial interface. The configuration consists of initialising the internal parameters of the devices so that they carry out the required functions. This configuration phase is also called the Start Up.

The ETS software can be purchased from the KNX association (www.knx.org). For any information, you can also contact the Konnex Italia association (www.konnex.it). This software need be purchased once only, and there is no limit to the number of systems that can be started up. The Gewiss database, needed by ETS for the configuration of all the KNX products, is available free of charge from the Gewiss website (www.gewiss.com), where it is automatically updated with new products as soon as they come onto the market.

Installation

The Lines (Backbone Line, Area Main Line and Sublines) of the KNX BUS system can be laid in any conformation (linear, star, tree, loop, mixed), exactly like an electrical network. For each line however, the prescribed distances (as indicated above) must always be respected.

For every system, it is important to check that no loops are formed within a single line or between different lines.

The KNX BUS devices can be installed in the distribution boards and assembled on DIN busbars, or flush- or wall-mounted, or else directly incorporated into the final service (e.g. in a lamp).

Detailed description of the functions and application programs of the devices

A detailed description of the KNX devices is published on the Gewiss website (www.gewiss.com), where the following documents are available:

- Instruction sheets: describe installation procedures and list all the electrical and size characteristics.
- Technical Manual: describes all the functions, and the parameters that condition their behaviour.

SYSTEM DEVICES

POWER SUPPLIES		
	GW 90 709	GW 90 710
Maximum current supplied	320mA	640mA
Max. no. of BUS devices which can be powered	The max no. of devices that can be powered is calculated on the basis of their consumption	The max no. of devices that can be powered is calculated on the basis of their consumption
Input power supply voltage	230V ac +6%/-10%, 50Hz	230V ac +6%/-10%, 50Hz
Output voltage	30V dc +/- 2V	30V dc +/- 2V
No. of DIN modules	4	4
Operating temperature	-5÷45 °C	
Connection to the BUS	Via coupling terminal, 2 pin Ø 1mm	
Common specifications	- Protection against short circuiting - Coil to suppress disturbances from the integrated power supply line - Push-button to reset the connected BUS devices - LED lights signalling the operating status and the exceeding of the maximum supplied current	



GW 90 709



GW 90 710

Reference standards:

Low Voltage Directive 2006/95/EC

Electromagnetic Compatibility Directive

2004/108/EC, EN50090-2-2

INTERFACES FOR PC				
	GW 90 706 S KNX/USB stick interface	GW 90 706 B KNX/USB interface	GW 90 707 KNX/IP router	GW 90 767 AP KNX/IP interface
Power supply	Via the USB port of the PC	Via the USB port of the PC	12/24V ac/dc (or PoE)	12/24V ac/dc (or PoE)
PC type of connection	A-type USB connector	B-type USB port	RJ45 LAN port - 10Mbit/s	RJ45 LAN port - 10Mbit/s
No. of DIN modules	-	1	2	2
Display elements	Green LED: USB connection Green LED: data traffic	Green LED: connection to PC Yellow LED: data traffic	Green LED: KNX signal Green LED: LAN signal Red LED: programming phase	Green LED: KNX signal Green LED: LAN signal Red LED: programming phase
No. of connections at the same time	1	1	5	5
Length of the connection cable to the PC	A-type male-female USB extension (15cm length)	5m max.	-	-
Notes	For the connection of a PC with a USB port to the KNX bus	For the connection of a PC with a USB port to the KNX bus	The KNX/IP network router also allows telegrams to be sent between different lines, via a LAN (IP) acting as a quick backbone line. To be configured with ETS	For the connection of a PC via LAN to the KNX bus. To be configured with ETS
Operating temperature	-5÷45 °C			
Connection to the BUS	Removable screw terminals	Via coupling terminal, 2 pin Ø 1mm		



GW 90 706 S



GW 90 706 B



GW 90 707



GW 90 767 AP

Reference standards:

Low Voltage Directive 2006/95/EC

Electromagnetic Compatibility Directive

2004/108/EC, EN50090-2-2,

EN61000-6-2, EN61000-6-3

SYSTEM SUPERVISION

HAPPY HOME

HAPPY HOME is the App designed by Gewiss to manage (command and visualisation), from local or by remote, of KNX or KNX Easy Home Building Automation systems, for smartphone and tablet developed on Android or iOS.

The KNX system access element is the KNX/IP interface (GW90767AP), with two separate modes:

- local (domestic LAN WiFi network)
- remote (via the internet, also using a VPN tunnel)

Each KNX/IP interface can manage up to 5 simultaneous system connections (for higher values, additional KNX/IP interfaces are needed).

The application allows to manage the here below functions:

- Lighting (On/off, dimmer, DALI, RGB)
- Roller shutters
- Venetian blinds
- Configuration and executing of scenarios
- Temperature and humidity adjustment in each room
- Visualisation of energy consumption
- Control of the burglar alarm
- ECO function (for lights, dimmers, roller shutters, venetian blinds, relays)
- Screen notifications
- Visualisation of IP cameras

The app is free downloadable from Play Store Android, Samsung Galaxy Apps e App Store.



NAXOS touch-screen panels - wall mounting

The NAXOS panels are 4.3" colour touch screen multifunctional terminals, designed for the control and the management of the Home Automation and the video entryphone systems:

- NAXOS DOMO, with KNX command and visualisation function,
- NAXOS COMBI, with video entryphone + KNX command and visualisation function.

The panels are available in white and black colours and are suitable for wall-mounting.

NAXOS DOMO and NAXOS COMBI's communication objects are divided into a total of 42 functional blocks, with 6 objects per block.

Each block is configured with the ETS software, to implement your choice of one of the standard functions shown in the table.

MAIN FUNCTIONS	
<p>1 dimmer</p> <p>ON/OFF command</p> <p>relative brightness regulation with 100% brightness increase/decrease and regulation stop command</p> <p>absolute brightness regulation with percentage value setting</p> <p>dimmer status feedback and brightness value feedback</p> <p>2 dimmers</p> <p>ON/OFF command</p> <p>relative brightness regulation with brightness increase/decrease or absolute brightness regulation with percentage value setting</p> <p>dimmer status feedback or brightness value feedback</p> <p>3 dimmers</p> <p>relative brightness regulation with brightness increase/decrease or absolute brightness regulation with percentage value setting</p> <p>dimmer status feedback or brightness value feedback</p> <p>DALI dimmer</p> <p>ON/OFF command</p> <p>relative brightness regulation with 100% brightness increase/decrease and regulation stop command</p> <p>absolute brightness regulation with percentage value setting</p> <p>dimmer status feedback, brightness value feedback and alarm/fault condition of the ballast/lamp connected</p> <p>RGB dimmer</p> <p>absolute brightness regulation with percentage value setting of the red, green and blue colour components</p> <p>brightness value feedback of the red, green and blue colour components</p> <p>3 RGB dimmers</p> <p>absolute RGB brightness regulation with percentage value setting</p> <p>RGB brightness value feedback</p> <p>1 light</p> <p>ON/OFF command</p> <p>priority command of light</p> <p>activation/deactivation block function</p> <p>light status feedback</p> <p>2 lights</p> <p>ON/OFF command</p> <p>priority command of light or activation/deactivation block function</p> <p>light status feedback</p> <p>3 lights</p> <p>ON/OFF command</p> <p>light status feedback</p> <p>1 on/off actuator</p> <p>ON/OFF command</p> <p>priority command</p> <p>activation/deactivation block function</p> <p>actuator status feedback</p>	<p>2 on/off actuators</p> <p>ON/OFF command</p> <p>priority command or activation/deactivation block function</p> <p>actuator status feedback</p> <p>3 on/off actuators</p> <p>ON/OFF command</p> <p>actuator status feedback</p> <p>1 shutter (or venetian)</p> <p>up/down movement</p> <p>stop current movement/louvres control</p> <p>percentage position setting</p> <p>priority command up/down</p> <p>activation/deactivation block function</p> <p>percentage position feedback</p> <p>2 shutters (or venetians)</p> <p>up/down movement</p> <p>stop current movement/louvres control</p> <p>percentage position feedback</p> <p>3 shutters (or venetians)</p> <p>up/down movement or percentage position setting</p> <p>stop current movement/louvres control or percentage position feedback</p> <p>HVAC master</p> <p>sending type of functioning (heating/cooling)</p> <p>sending setpoint or HVAC mode (auto/economy/precomfort/comfort/off)</p> <p>displaying measured temperature</p> <p>displaying type of functioning</p> <p>displaying setpoint or HVAC mode</p> <p>Irrigation</p> <p>ON/OFF command</p> <p>sprinkler block command</p> <p>sprinkler status feedback</p> <p>6 independent inputs</p> <p>inputs management (1 bit, 1 byte, 2 byte, 3 byte, 4 byte)</p> <p>6 independent outputs</p> <p>outputs management (1 bit, 2 bit, 4 bit, 1 byte, 2 byte, 3 byte, 4 byte)</p> <p>KNX scenes</p> <p>command and memorization</p> <p>execution command trigger</p> <p>6 videoentryphone events (for NAXOS COMBI only)</p> <p>signalling of a videoentryphone event toward the KNX bus</p> <p>command from KNX bus toward the videoentryphone system</p>

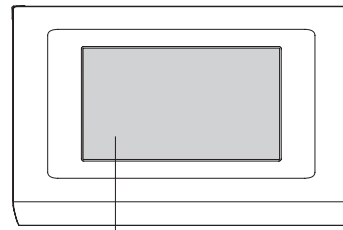
Detailed information on the application programmes and installation modes is available in the Technical Manual and the product instructions booklet.

In addition to the functions common to all blocks, it is possible to configure blocks 15 to 42 to carry out dedicated functions:

- date and time setting
- chronothermostat (zone 1, zone 2, zone 3, zone 4)
- heating fancoil (zone 1, zone 2, zone 3, zone 4)
- cooling fancoil (zone 1, zone 2, zone 3, zone 4)
- burglar alarm control (area 1, area 2, area 3, area 4)
- total burglar alarm command and alarm feedback
- load control/energy management



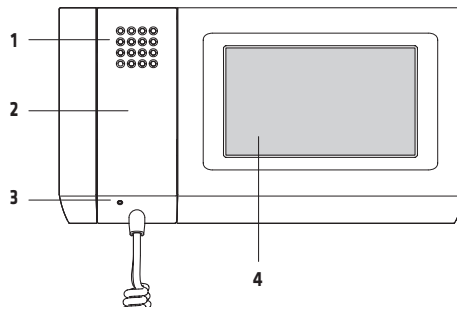
NAXOS DOMO
GW 10 961 WH - GW 12 961 BK



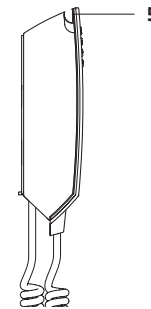
1. Display 16:9 touch screen 4,3"
2. Touchscreen pen housing



NAXOS COMBI
GW 10 962 WH - GW 12 962 BK



1. Loudspeaker (hands free)
2. Receiver
3. Microphone
4. 4.3" touch screen 16:9 display
5. Touchscreen pen housing



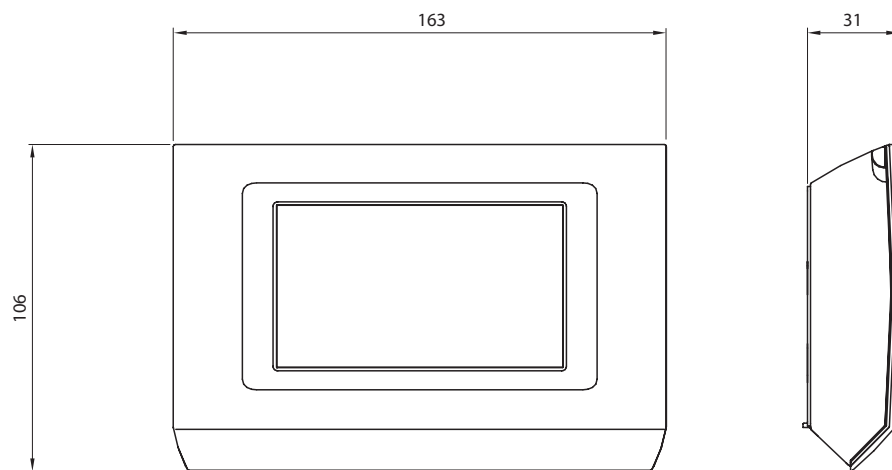
Reference standards:
Electromagnetic Compatibility Directive 2004/108/CE,
EN50428, EN50090-2-2, EN60669-2-1

TECHNICAL DATA		
	GW 10 961 WH - GW 12 961 BK	GW 10 962 WH - GW 12 962 BK
Power supply	14÷24 Vdc local (12÷16 Vac local) (e.g.: GW19305)	
Current consumption	0,48A at 12Vac - 0,36A at 16Vac 0,20A at 18Vdc - 0,15A at 24Vdc	0,75A (1,5A peak) 12Vac - 0,5A (1,1A peak) 16Vac 0,31A (0,81A peak) 18Vdc - 0,23A (0,58A peak) 24Vdc
Control elements	1 miniature button key for programming physical address	
Display elements	Display 16:9 wide screen 4.3", 480x272 pixel, touch screen red LED for programming physical address	
Operating temperature	5 - 40°C	
Installation	Wall-mounting	
Current absorbed by BUS	10mA max	
Protection degree	IP20	
Dimensions (LxHxD)	163x106x31,5mm	203x108x31mm
Connection to the BUS	Coupling terminal, 2 pins Ø 1mm	

For technical information contact the Technical Assistance Service or visit gewiss.com

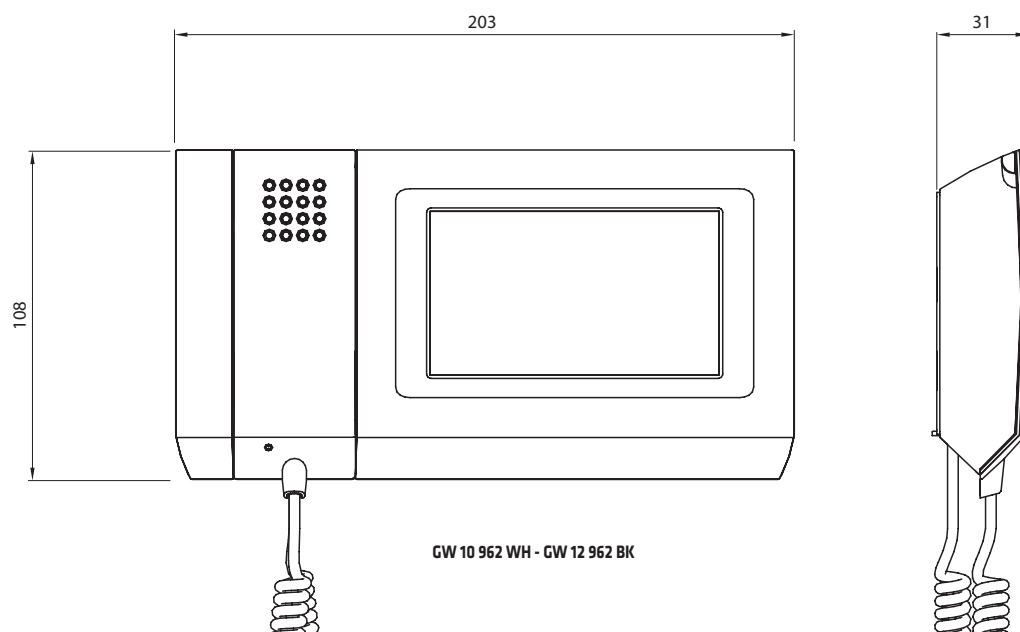
Dimension tables

NAXOS DOMO



GW 10 961 WH - GW 12 961 BK

NAXOS COMBI



GW 10 962 WH - GW 12 962 BK

MASTER ICE touch-screen panels - flush-mounting

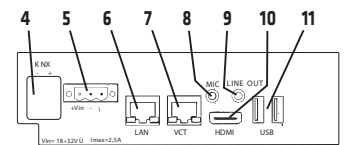
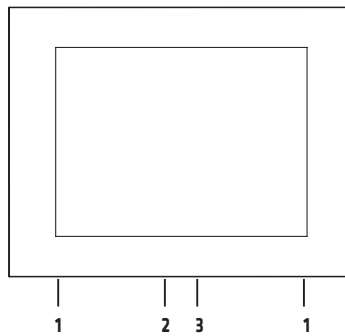
The MASTER ICE touchscreen panels are used to supervise (command and control) the KNX system. They also act as indoor video entryphone positions. The supervisions functions can be managed locally via the touchscreen colour display (10" or 15"), or remotely (via internet), via PC, smartphone or tablet. The pages of the user interface allow a high degree of customisation, with the positioning of the symbols or the icons representing the devices (and their relative statuses) directly on layouts, rendering or graphic maps.

FUNCTIONS	
Domotics supervision pages: lighting (on/off, dimmers, RGB, DALI, DMX); motorised systems (roller shutters, curtains and Venetian blinds with slat regulation); climate control (HVAC mode or temperature set-points, area control with weekly programming); scenes (KNX and sequence scenes); timer (daily or weekly programming); energy consumption display (active power); burglar alarm system;	video control (visualisation of images from IP camcorders and IP video servers); sound transmission. Indoor video entryphone position (City Vision): door/gate opening (only during a call); display of images from outdoor position (only during a call). Pages with Windows® 8 functions: access to multi-media contents (web radio, media player); messages (reproduction of audio and/or video messages); web functions (visualisation of web pages, e-mails, RSS feed).

(*) The functions will be made available with later software updates. For more information, contact the Gewiss technical support service.



GW 12 010 CB - GW 12 010 CN - 10"
 GW 12 015 CB - GW 12 015 CN - 15"



- | | |
|--------------------------|--------------------------|
| 1. Loudspeakers | 7. LAN port (VCT) |
| 2. On-Off push-button | 8. Microphone input |
| 3. Microphone | 9. Audio output LINE OUT |
| 4. KNX BUS terminal | 10. HDMI port |
| 5. Power supply terminal | 11. USB ports |
| 6. LAN port | |

Terminal \perp and screw \perp located on the casing must be both earth connected.

Reference standards:
 EN50491/EN50491-5-2, EN60950-1, EN61000-6-1, EN61000-6-3

Dimension tables

MASTER ICE	

For technical information contact the Technical Assistance Service or visit gewiss.com

ACCESSORIES					
Flush-mounting box				Power supply	Characteristics
MASTER ICE	Masonry wall	Plasterboard wall	Dimensions (LxHxD)	GW 90 802	100/240V - 50/60Hz 24V dc - 2,5A 4.5 DIN
10"	GW 24 101	GW 24 101 PM	306x238x80 mm		
15"	GW 24 102	GW 24 102 PM	396x306x85 mm		

TECHNICAL DATA	
Power supply (with extractable 3-pole terminal)	18-32V dc (Imax 2,5A)
Power loss	30W typical
Current absorbed by KNX BUS	<10mA
Operating system (embedded)	Microsoft® Windows® 8 Pro Embedded
RAM	4GB
Solid state HDD	32GB
Hardware interfaces	2xUSB 2.0 - 2xEthernet 1Gbps - 1xHDMI - 1xLine Out/Mic In - 1xKNX bus
Loudspeakers	2x1W
Microphone (integrated echo canceller)	1
Multi-touch capacitive display (10-touch)	10" - 15" / 1024x768
Dimensions/Resolution (pixels)	
Light intensity/Contrast	400cd/m ² / 700:1 typical
Vision angle (horizontal/vertical)	140° / 125°
Back-lighting lifespan (hours)	50.000 @ 25°C
Operating temperature	0 ÷ +40°C
Storage temperature	-20 ÷ +70°C
Relative humidity (without condensation)	5-85%
IP class	IP20
Dimensions (LxH)	320x250mm (10") - 430x320mm (15")

COMMAND DEVICES

KNX 2- and 4-channel contacts interface

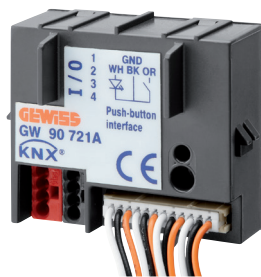
The device is configured with the ETS software to implement the functions shown in the table.

MAIN FUNCTIONS	
Inputs management / Object transmission on the BUS fronts management with sending of sequences (1 bit, 2 bit, 1 byte, 2 byte, 3 byte, 4 byte, 14 byte) with 8 communication objects and timed intervals brief / prolonged contact closure management with command transmission (1 bit, 2 bit, 1 byte, 2 byte, 3 byte, 4 byte, 14 byte) activation / blocking of inputs	Dimmer command with single or double push-button with stop telegram or cyclical send with sending of light value (0% - 100%)
Scenes scenes management with object, 1 byte sending of scenes memorisation commands management of scene sequence	Impulse count on rise/descent fronts, or both meter of 1 byte, 2 byte, 4 byte transmission on variation and/or cyclical (value counted on the BUS) overflow indication on the BUS
Priority commands sending of priority commands	Multi-pressing/contact closure management of contact closure with consecutive (max.4) pressing operations (1 bit, 2 bit, 1 byte, 2 byte, 3 byte, 4 byte, 14 byte)
Command of roller shutters/curtains with single or double push-button	Control of output LED 5 light effects for each LED
	Switchover sequences with objects of 1 bit on BUS (from 2 to 8)

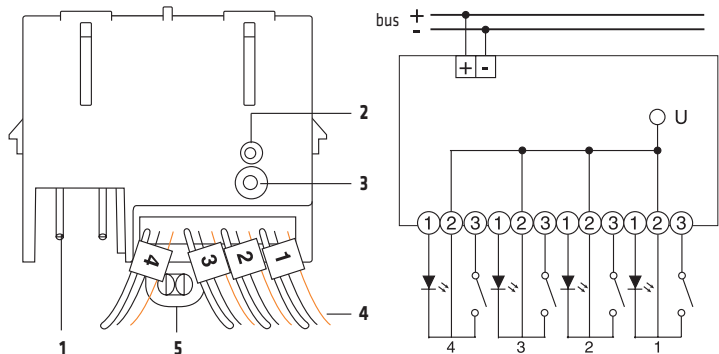
Detailed information on the application programmes and installation modes is available in the Technical Manual and the product instructions booklet.



GW 90 727



GW 90 721 A



1. BUS terminals
2. LED for programming physical address
3. Button key for programming physical address
4. Connection cables
5. Fixing slot

- ① White cable
- ② Black cable
- ③ Orange cable

Reference standards:
 Low Voltage Directive 2006/95/EC
 Electromagnetic Compatibility Directive 2004/108/EC, EN50428, EN50090-2-2

TECHNICAL DATA	
Power supply	Via KNX BUS 29V DC SELV
Current absorbed by BUS	5mA max + 1mA for every LED connected (max. total 9mA)
Contact scanning voltage	3.3V DC
LED outputs	Voltage: 3.3V DC max current: 1mA
Control elements	1 miniature button key for programming physical address
Display elements	1 red LED for programming physical address
Contact connection	AWG26 fitted cables - length 300mm
Extension of connection cables	max length 10m (twisted cable)
Dimensions (LxHxD)	38x38x13mm (38x38x19mm with rib)
Operating temperature	-5 to +45°C
Connection to the BUS	Coupling terminal, 2 pins Ø 1mm

For technical information contact the Technical Assistance Service or visit gewiss.com

KNX 8-channel ac/dc voltage input module - DIN rail

The module allows you to connect up to 8 push-buttons or live input contacts (24..48Vdc or 24..230Vac) and to send the relative commands to actuators devices via the KNX BUS. The module is powered via the BUS line, and has 8 LEDs for signalling the input status.

The device is configured with the ETS software to implement the functions shown in the table.

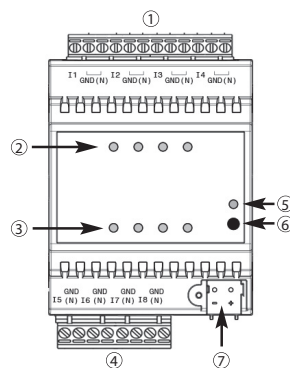
MAIN FUNCTIONS	
Inputs management / Object transmission on the bus	Dimmer command
fronts management with sending of sequences (1 bit, 2 bit, 1 byte, 2 byte, 3 byte, 4 byte, 14 byte) with 8 communication objects and timed intervals	with single or double push-button
brief/prolonged contact closure management with command transmission (1 bit, 2 bit, 1 byte, 2 byte, 3 byte, 4 byte, 14 byte)	with stop telegram or cyclical sending
activation/blocking of inputs	with sending of the light intensity value (0%..100%)
Scenes	Impulse count
scenes management with object, 1 byte	on rise/descent fronts, or both
sending of scenes memorisation commands	meter of 1 byte, 2 byte, 4 byte
management of scene sequence	transmission on variation and/or cyclical (value counted on the bus)
Priority commands	overflow signalling on the bus
sending of priority commands	Multi-pressing/contact closure
Roller shutters/curtains command	management of contact closure with consecutive (max.4) pressing operations (1 bit, 2 bit, 1 byte, 2 byte, 3 byte, 4 byte, 14 byte)
with single or double push-button	Switching sequences
	with 1 bit objects on bus (from 2 to 8)

Detailed information on the application programmes and installation modes is available in the Technical Manual and the product instructions booklet.

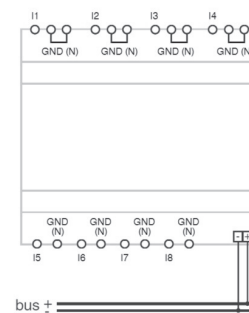


GW 90 729

Reference standards:
 Low Voltage Directive 2006/95/EC
 Electromagnetic Compatibility Directive
 2004/108/EC, EN50428, EN50090-2-2



1. Input 1...4
2. Input status LED 1...4
3. Input status LED 5...8
4. Input 5...8



5. LED for programming physical address
6. Button key for programming physical address
7. Bus terminals

TECHNICAL DATA	
Power supply	Via KNX BUS 29V dc SELV
Current absorbed by BUS	10mA max
Control elements	1 miniature button key for programming physical address
Display elements	8 amber LED for input status signalling 1 red LED for programming physical address
Inputs	Input contact voltage: 24..48Vdc or 24..230Vac Max distance for contact connection: 100m
Operating temperature	-5 ÷ +45 °C
Dimensions	4 DIN modules
Electric connections	Extractable screw terminals, max cable section: 4mm ²
Connection to the BUS	Coupling terminal, 2 pin Ø 1mm

KNX 6-channel push-button panel module with interchangeable symbols - flush-mounting

The device is configured with the ETS software to implement the functions shown in the table.

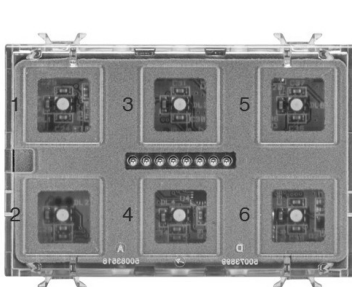
MAIN FUNCTIONS	
Fronts management / Sequence commandsa fronts management touch/release with sequence sending (1 bit, 2 bit, 1 byte, 2 byte, 4 byte, 14 byte)	with sending of the percentage position (0%-100%)
brief/prolonged touch management with command transmission	Dimmer command with single or double push-buttons
activation/blocking of channels	with stop telegram or cyclical send
Scenes	with sending of the light intensity value (0%-100%)
scenes management with object, 1byte	Multiple touch management of multiple touches on consecutive pressing operations (max. 4) with sending of commands
sending of scenes memorisation commands	Switchover sequences with 1 bit objects on bus (from 2 to 8)
Priority commands	Control of the output RGB LEDs 5 lighting effects for each RGB LED, and colour selection
sending of priority commands	
Commands of roller shutters/curtains	
with single or double push-button	

Detailed information on the application programmes and installation modes is available in the Technical Manual and the product instructions booklet.

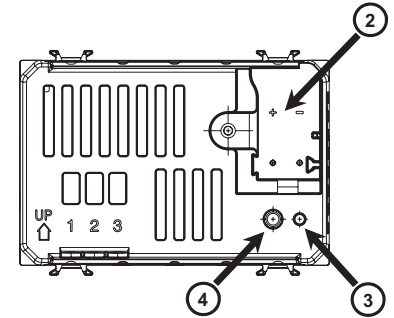
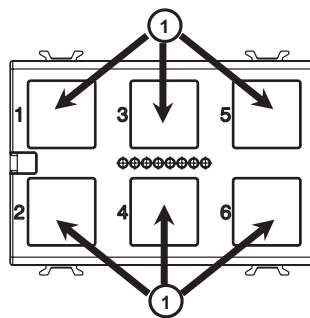
The device has 6 RGB LEDs for night-time localisation and display of the controlled load status. The device is provided with a buzzer for touch signalling, and a proximity sensor whose function is to increase the level of backlight when the user approaches the glass plate.

To be completed with the ICE Touch KNX glass plates, italian standard, white (GW 16 946 CB), black (GW 16 946 CN), titanium (GW 16 946 CT) or with the test plate (GW 16 950) for commissioning. The plates have 6 capacitive touch areas.

Each channel can be personalised using a set of adhesive icons (included in the package)

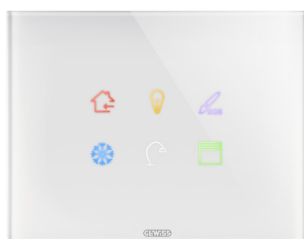
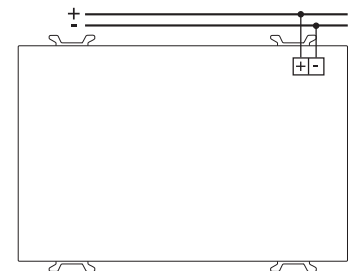


GW A9 421

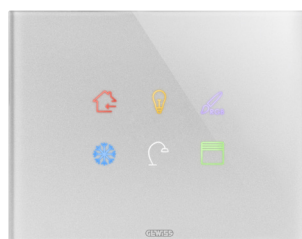


Reference standards:
 Low Voltage Directive 2014/35/EU
 Electromagnetic Compatibility Directive 2014/30/EU, EN50491, EN60669-2-5

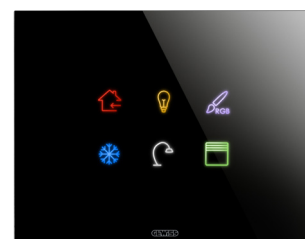
1. Configurable RGB LEDs for status and night-time localisation
2. Bus terminals
3. LED for programming physical address
4. Button key for programming physical address



GW 16 946 CB

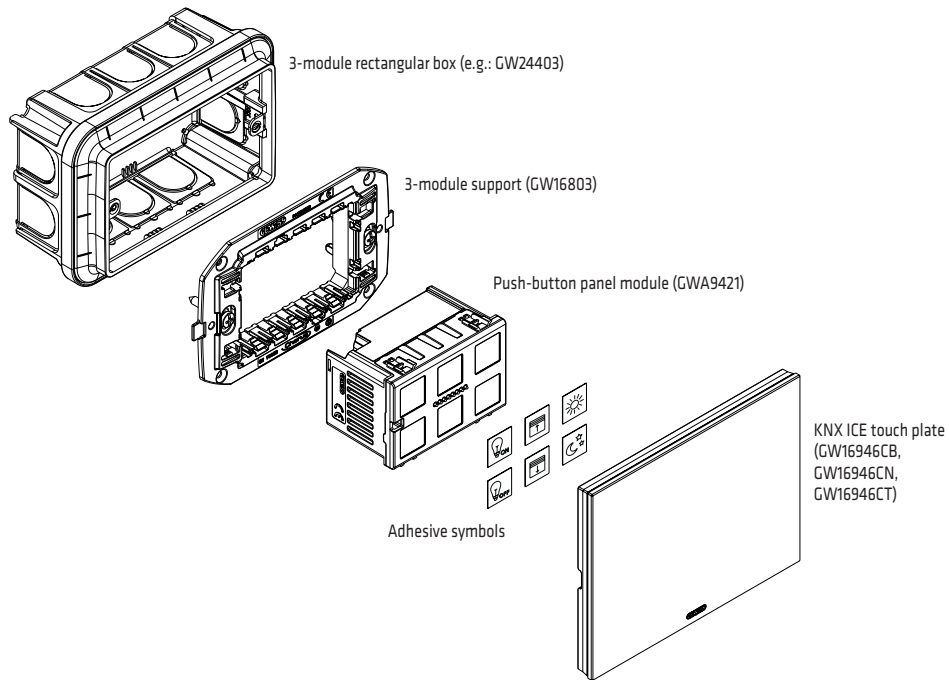


GW 16 946 CT



GW 16 946 CN

For technical information contact the Technical Assistance Service or visit gewiss.com



TECHNICAL DATA

Power supply	Via KNX bus 29V dc SELV
Current absorbed by bus	25mA max
Control elements	1 miniature button key for programming physical address
Display elements	6 touch command areas with configurable RGB LED backlight 1 red LED for programming physical address
Operating temperature	-5 ÷ +45 °C
Dimensions	3 Chorus modules
Connection to the bus	Coupling terminal, 2 pin Ø 1mm

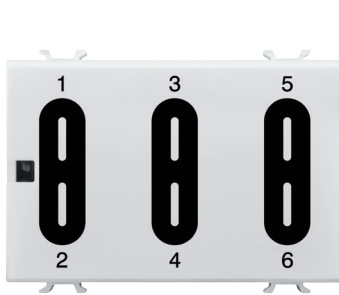
KNX 6-channel touch push-button panel module - flush-mounting

The device is configured with the ETS software to implement the functions shown in the table.

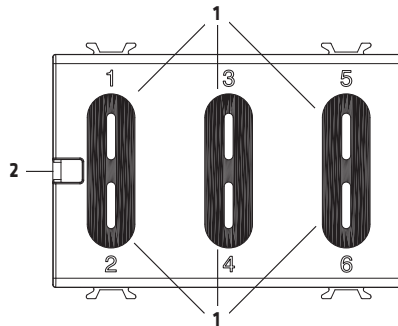
MAIN FUNCTIONS	
Fronts management/sequence commands touch/release fronts management with sending of commands (1 bit, 2 bit, 1 byte, 2 byte, 4 byte, 14 byte) touch/release fronts management with sending of sequences (1 bit, 2 bit, 1 byte, 2 byte, 4 byte, 14 byte) with 8 communication objects and timed intervals brief/prolonged touch management channel enabling/blocking	Command of roller shutters/curtains with single or double push-button with sending of the percentage position (0%-100%) Dimmer command with single or double push-button with stop telegram or cyclical send with sending of light value (0% - 100%) Control of output LED 5 brightness effects for each LED and colour selection Switchover sequences with 1 bit objects on bus (from 2 to 8)
Scenes scenes management with object, 1 byte sending of scenes memorisation commands	
Priority commands sending of priority commands	

Detailed information on the application programmes and installation modes is available in the Technical Manual and the product instructions booklet.

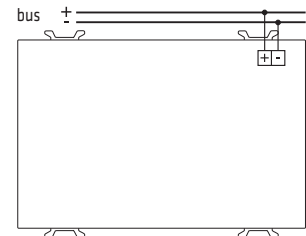
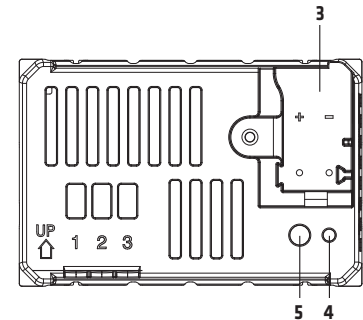
To be completed with Italian standard ICE Touch KNX glass plate with 2, 4 or 6 symbols, white colour (GW16962 CB, GW16964 CB or GW16966 CB), black (GW16962 CN, GW16964 CN or GW16966 CN) or titanium (GW16962 CT, GW16964 CT or GW16966 CT).



GW10746



1. LED for status and night-time localisation
2. Temperature sensor
3. Bus terminal
4. Physical address programming LED
5. Physical address programming button



Reference standards:

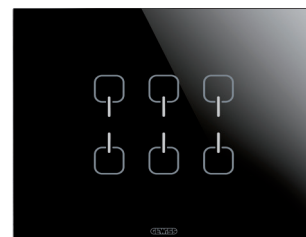
- Low Voltage Directive 2006/95/EC
- Electromagnetic Compatibility Directive 2004/108/EC, EN50090-2-2, EN60669-2-1



GW16962 CB - 2 Symbols
 GW16964 CB - 4 Symbols
 GW16966 CB - 6 Symbols



GW16962 CT - 2 Symbols
 GW16964 CT - 4 Symbols
 GW16966 CT - 6 Symbols



GW16962 CN - 2 Symbols
 GW16964 CN - 4 Symbols
 GW16966 CN - 6 Symbols

TECHNICAL DATA	
Power supply	Via KNX BUS 29V dc SELV
Current absorbed by BUS	10mA max
Control elements	1 miniature button key for programming physical address 6 command touch areas
Display elements	1 red LED for programming physical address 6 amber/blue LED for signalling of the commanded load or for night-time localisation
Operating temperature	-5 ÷ +45 °C
Dimensions	3 Chorus modules
Connection to the BUS	Coupling terminal, 2 pins Ø1mm

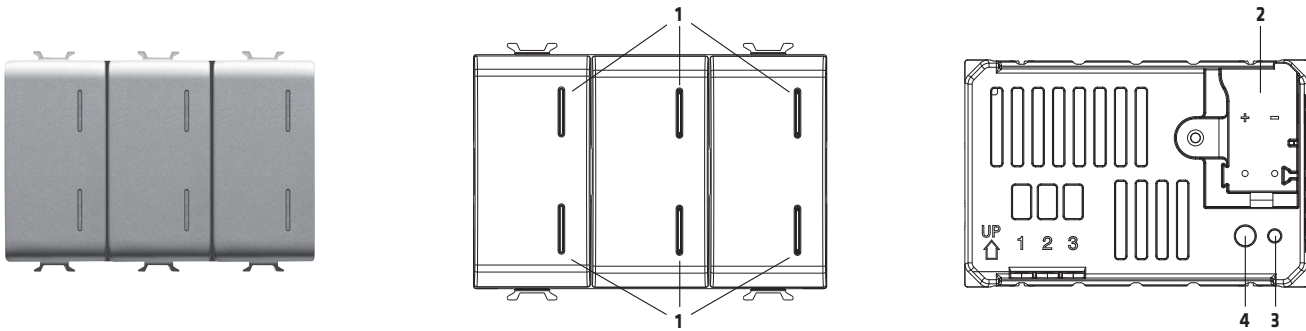
For technical information contact the Technical Assistance Service or visit gewiss.com

KNX 6-channel push-button panel - flush-mounting

The device is configured with the ETS software to implement the functions shown in the table.

MAIN FUNCTIONS	
Fronts management/sequence commands fronts management with sending of commands (1 bit, 2 bit, 1 byte, 2 byte, 4 byte, 14 byte) fronts management with sending of sequences (1 bit, 2 bit, 1 byte, 2 byte, 4 byte, 14 byte) with 8 communication objects and timed intervals brief/prolonged touch management channel enabling/blocking	Command of roller shutters/curtains with single or double push-button with sending of the percentage position (0%-100%)
Scenes scenes management with object, 1 byte sending of scenes memorisation commands	Dimmer command with single or double push-button with stop telegram or cyclical send with sending of light value (0% - 100%)
Priority commands sending of priority commands	Control of output LED 5 brightness effects for each LED and colour selection
	Switchover sequences with 1 bit objects on bus (from 2 to 8)

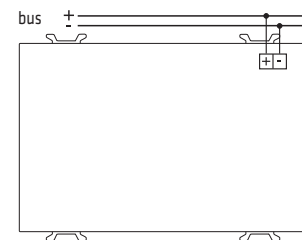
Detailed information on the application programmes and installation modes is available in the Technical Manual and the product instructions booklet.



GW 10 783 - GW 12 783 - GW 14 783

Reference standards:
 Low Voltage Directive 2006/95/EC
 Electromagnetic Compatibility Directive 2004/108/EC, EN50090-2-2, EN60669-2-1

1. LED for status and night-time localisation
2. Bus terminal
3. LED for programming physical address
4. Button key for programming physical address



TECHNICAL DATA	
Power supply	Via KNX BUS 29V dc SELV
Current absorbed by BUS	10mA max
Control elements	1 miniature button key for programming physical address 3 tilting push-buttons
Display elements	1 red LED for programming physical address 6 amber/blue LED for signalling of the commanded load or for night-time localisation
Operating temperature	-5 ÷ +45 °C
Dimensions	3 Chorus modules
Connection to the BUS	Coupling terminal, 2 pins Ø 1mm

KNX 6-channel push-button panel + On/Off actuator - flush-mounting

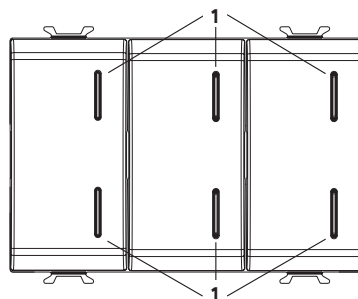
The device is configured with the ETS software to implement the functions shown in the table.

MAIN FUNCTIONS	
Push-button panel	Roller shutter actuator
Fronts management/sequence commands	Switchover
fronts management with sending of commands (1 bit, 2 bit, 1 byte, 2 byte, 4 byte, 14 byte)	parameterisation of output behaviour (NO/NC)
fronts management with sending of sequences (1 bit, 2 bit, 1 byte, 2 byte, 4 byte, 14 byte) with 8 communication objects and timed intervals	timing of stair raiser lights, with the possibility to set the duration of the timing via BUS
brief/prolonged touch management	timing of the stair raiser lights, with switch-off pre-warning function
channel enabling/blocking	activation/deactivation delay
Scenes	flashing
scenes management with object, 1 byte	Scenes
sending of scenes memorisation commands	storage and activation of 8 scenes (value 0-63) for each output
Priority commands	enabling/disabling of scene storage from BUS
sending of priority commands	Priority commands
Command of roller shutters/curtains	parameterisation of the output relay value at the end of the forcing
with single or double push-button	Shutdown command
with sending of the percentage position (0%-100%)	parameterisation of the shutdown item value and output relay value at the end of the forcing
Dimmer command	Logic functions
with single or double push-button	AND/NAND/OR/NOR logic operation with command element (switchover, timed switchover, delayed switchover, flashing) and the result of the logic operation
with stop telegram or cyclical send	use of the logic operation result to enable the command element (switchover, timed switchover, delayed switchover, flashing, scene)
with sending of light value (0% - 100%)	AND/NAND/OR/NOR/XOR/XNOR logic operations up to 4 logic inputs
Control of output LED	Output status
5 brightness effects for each LED and colour selection	the sending on the BUS can be parameterised
status signalling function for local actuator	Safety functions
Switchover sequences	regular monitoring of the input item
with 1 bit objects on bus (from 2 to 8)	Other functions
On/off actuator local command	parameterisation of output behaviour upon failure and resetting of voltage supply on BUS
with on/off command, stair raiser lights, activation/deactivation delay, flashing, scene, priority command or block	parameterisation of behaviour of local command push-buttons
	parameterisation of input objects priority

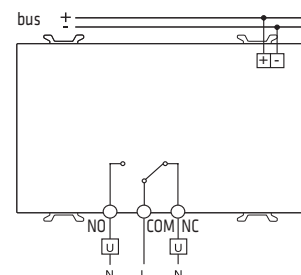
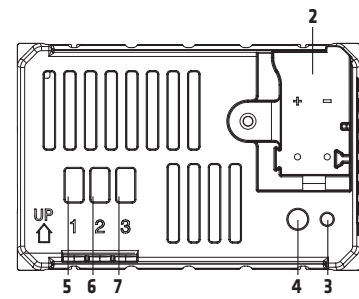
Detailed information on the application programmes and installation modes is available in the Technical Manual and the product instructions booklet.



GW 10 784 - GW 12 784 - GW 14 784



1. LED for status and night-time localisation
2. Bus terminal
3. LED for programming physical address
4. Button key for programming physical address
5. NO output
6. Common
7. NC output



Reference standards:
 Low Voltage Directive 2006/95/EC
 Electromagnetic Compatibility Directive
 2004/108/EC, EN50428, EN50090-2-2,
 EN60669-2-1

TECHNICAL DATA	
Power supply	Via KNX BUS - 29V dc SELV
Current absorbed by BUS	10mA max
Control elements	1 miniature button key for programming physical address - 3 tilting push-buttons
Display elements	1 red LED for programming physical address 6 amber/blue LED for signalling of the commanded load or for night-time localisation
Output contacts	1 NO/NC 10A(AC1) 230V ac - Incandescent lamps (230V ac): 1500W - Halogen lamps (230V ac): 1500W Loads controlled from electronic transformers: 600VA - Uncompensated fluorescent loads: 400VA - Energy saving lamps (compact fluorescent): 8x23W For compensated fluorescent lamps and all other loads not indicated here, you are advised to use a support relay.
Operating temperature	-5 ÷ +45 °C
Dimensions	3 Chorus modules
Connection to the BUS	Coupling terminal, 2 pins Ø 1mm

For technical information contact the Technical Assistance Service or visit gewiss.com

KNX 6-channel push-button panel + Roller shutter actuator - flush-mounting

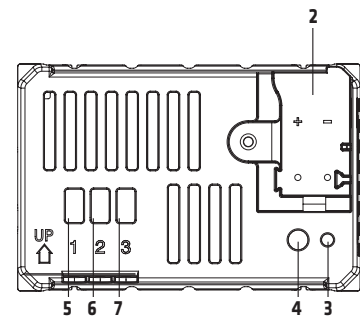
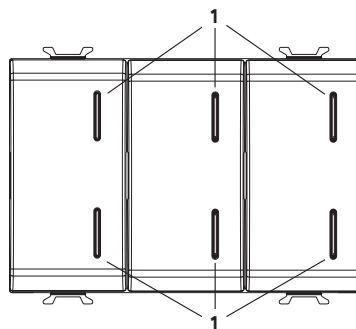
The device is configured with the ETS software to implement the functions shown in the table.

MAIN FUNCTIONS	
Push-button panel	Roller shutter actuator
Fronts management/sequence commands fronts management with sending of commands (1 bit, 2 bit, 1 byte, 2 byte, 4 byte, 14 byte) fronts management with sending of sequences (1 bit, 2 bit, 1 byte, 2 byte, 4 byte, 14 byte) with 8 communication objects and timed intervals brief/prolonged touch management channel enabling/blocking Scenes scenes management with object, 1 byte sending of scenes memorisation commands Priority commands sending of priority commands Command of roller shutters/curtains with single or double push-button with sending of the percentage position (0%-100%) Dimmer command with single or double push-button with stop telegram or cyclical send with sending of light value (0% - 100%) Control of output LED 5 brightness effects for each LED and colour selection status signalling function for local actuator Switchover sequences with 1 bit objects on bus (from 2 to 8)	Command functions management of rise/descent/stop movements slat adjustment movement command in relative position (0% - 100%), also for slat automatic adjustment of slat position Scenes storage and activation of 8 scenes (value 0-63) enabling/disabling of scene storage from BUS Priority commands parameterisation of the output relay value at the end of the forcing Blocking commands parameterisation of position at end of blocking Alarms management of alarm position (up to 3 sensors) and periodical monitoring of input objects management of rain alarm and ice alarm AND/NAND/OR/NOR/XOR/XNOR logic operations up to 4 logic inputs Status information parameterised sending on BUS signalling of last movement performed signalling of position (0% - 100%) and slat position Other functions parameterisation of output behaviour upon failure and resetting of voltage supply on BUS Automatic mode Autonomous movements to protect against direct sunlight, to keep heat the environment, etc.

Detailed information on the application programmes and installation modes is available in the Technical Manual and the product instructions booklet.

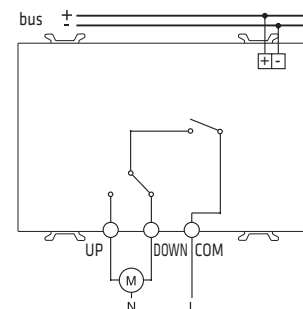


GW 10 785 - GW 12 785 - GW 14 785



Reference standards:
 Low Voltage Directive 2006/95/EC
 Electromagnetic Compatibility Directive 2004/108/EC, EN50428, EN50090-2-2, EN60669-2-1

1. LED for status and night-time localisation
2. Bus terminal
3. LED for programming physical address
4. Button key for programming physical address
5. Relay output (UP)
6. Relay output (DOWN)
7. Common



TECHNICAL DATA	
Power supply	Via KNX BUS - 29V dc SELV
Current absorbed by BUS	10mA max
Control elements	1 miniature button key for programming physical address - 3 tilting push-buttons
Display elements	1 red LED for programming physical address 6 amber/blue LED for signalling of the commanded load or for night-time localisation
Output contacts	6A - 230V ac Motors and gear motors, in compliance with EN60669-2-1
Operating temperature	-5 ÷ +45 °C
Dimensions	3 Chorus modules
Connection to the BUS	Coupling terminal, 2 pins Ø 1mm

For technical information contact the Technical Assistance Service or visit gewiss.com

KNX 4-channel push-button panel - flush-mounting

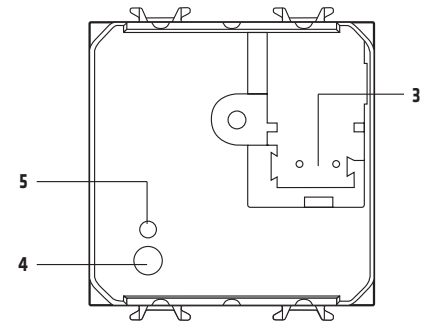
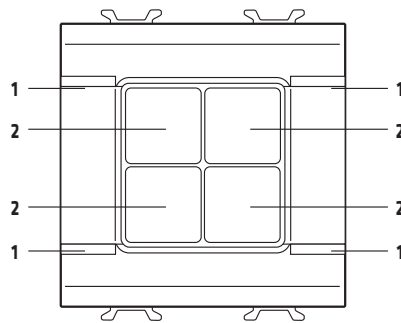
The device is configured with the ETS software to implement the functions shown in the table.

MAIN FUNCTIONS	
Inputs management / Object transmission on the BUS fronts management with sending of commands (1 bit, 2 bit, 1 byte, 2 byte) fronts management with sending of sequences (1 bit, 2 bit, 1 byte, 2 byte) with 4 communication objects and timed intervals brief / prolonged pressing management with command transmission (1 bit, 2 bit, 1 byte, 2 byte) activation / blocking of push-buttons Scenes scenes management with object, 1 byte sending of scenes memorisation commands management of scene sequence Priority commands sending of priority commands	Command of roller shutters/curtains with single or double push-button Dimmer command with single or double push-button with stop telegram or cyclical send with sending of light value (0% - 100%) Control of output LED ON/OFF mode flashing mode Switchover sequences with objects of 1 bit on BUS (from 2 to 5)

Detailed information on the application programmes and installation modes is available in the Technical Manual and the product instructions booklet.

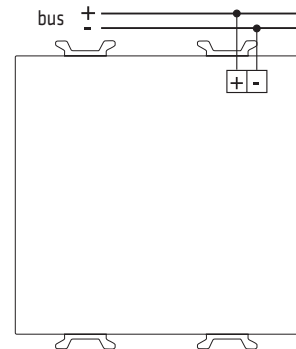


GW 10 782 - GW 12 782 - GW 14 782



Reference standards:
 Low Voltage Directive 2006/95/EC
 Electromagnetic Compatibility Directive 2004/108/EC, EN50428, EN50090-2-2

1. LED for status and night-time localisation
2. Command push-button
3. BUS terminals
4. LED for programming physical address
5. Button key for programming physical address



TECHNICAL DATA	
Power supply	Via KNX BUS 29V DC SELV
Current absorbed by BUS	max. 8mA
Control elements	1 miniature button key for programming physical address 4 command button keys
Display elements	1 red LED for programming physical address 4 green LEDs for signalling output status 4 amber LEDs for night-time localisation
Operating temperature	-5 to +45°C
Dimensions	2 Chorus modules
Connection to the BUS	Coupling terminal, 2 pins Ø 1mm

For technical information contact the Technical Assistance Service or visit gewiss.com

KNX 8-channel RF receiver - flush-mounting

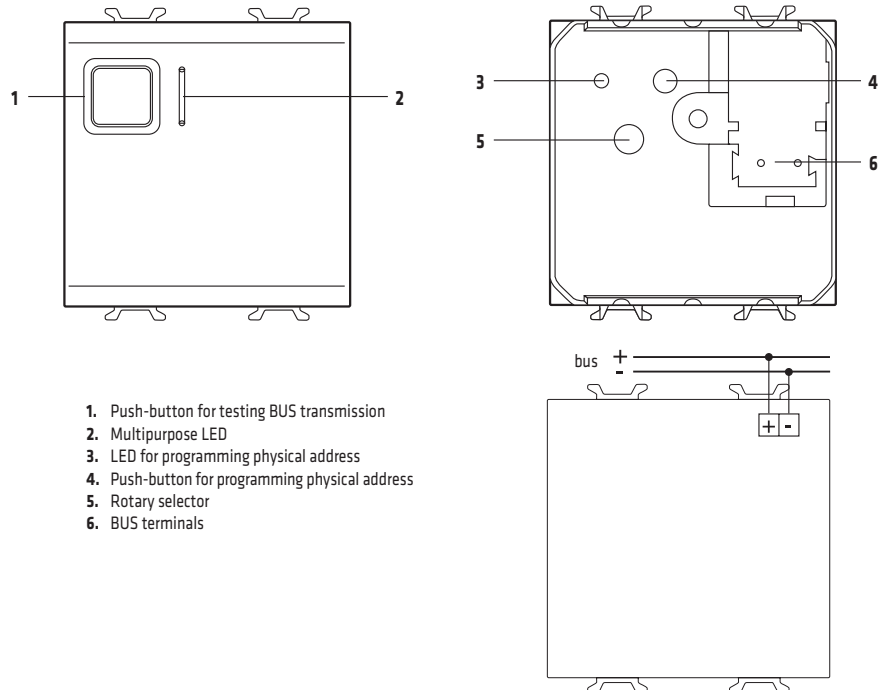
The KNX 8-channel flush-mounting radio receiver allows the Chorus RF command and control devices to communicate with a KNX system, allowing you to extend the Building Automation system with wireless command devices. The RF receiver is seen by the KNX system as an 8-channel input interface and, configured with the ETS software, it allows you to implement the functions shown in the table.

MAIN FUNCTIONS	
Commands	Scenes
sending of ON/OFF commands	scenes management with object, 1 byte
sending of movement commands for curtains and slat adjustment	sending of scenes memorisation commands
sending of light adjustment commands (dimmer)	management of scene sequence
sending of priority commands	Other functions
sending of values 1byte, 2 byte	management of blocking object for each channel
	management of alarm signalling with periodical transmission
	management of battery depletion signalling for each radio channel

Detailed information on the application programmes and installation modes is available in the Technical Manual and the product instructions booklet.



GW 10 798 - GW 12 798 - GW 14 798



1. Push-button for testing BUS transmission
2. Multipurpose LED
3. LED for programming physical address
4. Push-button for programming physical address
5. Rotary selector
6. BUS terminals

Reference standards:
 Low Voltage Directive 2006/95/EC
 Electromagnetic Compatibility Directive
 2004/108/EC, R&TTE 99/05/EEC, EN50428,
 EN50090

TECHNICAL DATA	
Power supply	Via KNX BUS 29V DC SELV
Current absorbed by BUS	max. 15mA
Contact scanning voltage	3.3V DC
Control elements	1 miniature button key for programming physical address 1 front push-button for testing BUS transmission 1 rotary selector, 10 positions: 0 - routine operation 1-8 - input learning/localisation 9 - cancelling
Display elements	1 red LED for programming physical address 1 multipurpose LED (red-green-yellow) for learning and localisation
RF communication frequency	868 MHz
Operating temperature	-5 to +45°C
Dimensions	2 Chorus modules
Connection to the BUS	Coupling terminal, 2 pins Ø 1mm

SENSORS

KNX IR light-sensitive movement detector - flush-mounting

The device is configured with the ETS software to implement the functions shown in the table.

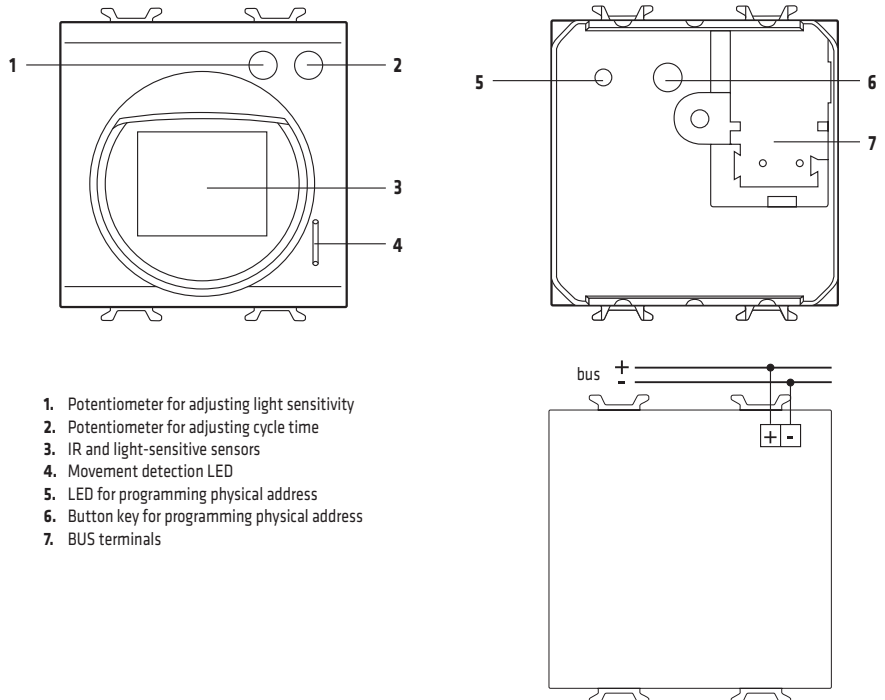
MAIN FUNCTIONS	
Movement detection conditioned by light, or unconditioned	Activation of sending commands on object BUS
Sending of commands (1 bit / 1 byte) on start and/or end of movement operation	Up to 4 auxiliary switchover blocks
Local adjustment of light threshold or via ETS parameter	Parameterised safety pause
Activation/deactivation of operation via BUS	Light-sensitive sensor function

Detailed information on the application programmes and installation modes is available in the Technical Manual and the product instructions booklet.



GW 10 786 - GW 12 786 - GW 14 786

Reference standards:
 Low Voltage Directive 2006/95/EC
 Electromagnetic Compatibility Directive
 2004/108/EC, EN50428, EN50090-2-2



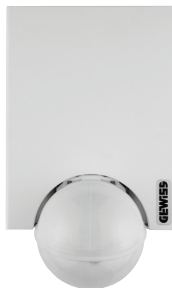
1. Potentiometer for adjusting light sensitivity
2. Potentiometer for adjusting cycle time
3. IR and light-sensitive sensors
4. Movement detection LED
5. LED for programming physical address
6. Button key for programming physical address
7. BUS terminals

TECHNICAL DATA	
Power supply	Via KNX BUS 29V DC SELV
Current absorbed by BUS	max. 5mA
Control elements	1 miniature button key for programming physical address
Display elements	1 red LED for programming physical address 1 green LED for movement detection
Measuring elements	1 PIR sensor ($\lambda = 5-14 \mu\text{m}$) 1 light-sensitive sensor (10-500 lux)
Configuration elements	1 rotary potentiometer for adjusting light-sensitive sensor 1 rotary potentiometer for adjusting cycle time
IR sensor cover	Max. distance: 10m Vertical cover: 30°, adjustable Horizontal cover: 105°, adjustable
Operating temperature	-5 to +45°C
Dimensions	2 Chorus modules
Connection to the BUS	Coupling terminal, 2 pins $\varnothing 1\text{mm}$

For technical information contact the Technical Assistance Service or visit gewiss.com

LIGHT-SENSITIVE MOVEMENT/LUMINOSITY DETECTORS			
	GW 90 787	GW A9 531	GW A9 532
Installation	Surface (IP55)	Ceiling (IP20)	Ceiling (IP20) per grandi altezze
Connection to the BUS	BUS terminal for insertion without screws	BUS terminal for insertion without screws	BUS terminal for insertion without screws
Presence detection		360° control; range of action = max 4m	
Movement detection	220° control; range of action = 16m 360° control; range of action = 4m	360° control; range of action = - max 10m (tangential approach) - max 6m (radial approach)	360° control; range of action = max 44m (tangential approach)
Luminosity control	3 - 1000 lux	10...1200 lux	10...1200 lux
Current absorbed by BUS	7mA	10mA	7mA
Power supply	From BUS	From BUS	From BUS
Operating temperature	-25°C to 55°C	-25°C ÷ 55°C	-25°C ÷ 55°C
MAIN FUNCTIONS			
Constant luminosity control (in combination with dimmer actuators)		•	•
Activation depending solely on luminosity	•	•	•
Activation depending on luminosity and movement	•	•	•
Timing of OFF function	•	•	•

Reference standards:
 Low Voltage Directive 2006/95/CE
 Electromagnetic Compatibility Directive 2004/108/CE, EN50491



GW 90 787



GW A9 531



GW A9 532

ACTUATORS

KNX 1-channel 16A actuator - flush-mounting

The device is configured with the ETS software to implement the functions shown in the table.

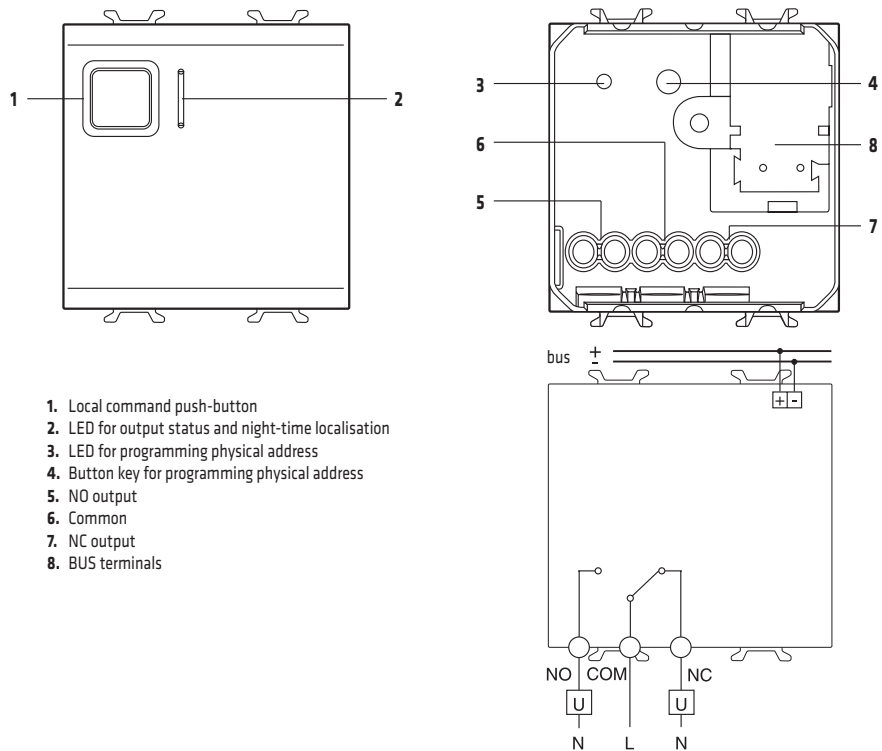
MAIN FUNCTIONS	
Switchover	Logic functions
timing of stair lights, with possibility to set the duration of the timing via BUS	logic operation AND/NAND/OR/NOR with command object and result of logic operation
timing of stair lights with switch-off pre-warning function	logic operations AND/NAND/OR/NOR/XOR/XNOR up to 4 logic inputs
delayed activation/deactivation	Output status
flashing	parameterised sending on BUS
Scenes	Safety function
memorisation and activation of 8 scenes (value 0 - 63)	periodical monitoring of input object
activation/deactivation of memorisation of scenes from BUS	Other functions
Priority commands	parameterisation of output behaviour with voltage fall/reset on BUS
parameterisation of the output relay value at the end of the forcing	parameterisation of behaviour of local command button key
Blocking commands	parameterisation of priorities among input objects
parameterisation of blocking object value and output relay value at the end of the blocking	

Detailed information on the application programmes and installation modes is available in the Technical Manual and the product instructions booklet.



GW 10 796 - GW 12 796 - GW 14 796

Reference standards:
 Low Voltage Directive 2006/95/EC
 Electromagnetic Compatibility Directive
 2004/108/EC, EN50428, EN50090-2-2



TECHNICAL DATA	
Power supply	Via KNX BUS 29V DC SELV
Current absorbed by BUS	max. 5mA
Control elements	1 miniature button key for programming physical address / 1 push-button for local relay command (the push-button works only when the bus voltage is available)
Display elements	1 red LED for programming physical address 1 green LED for signalling output status / 1 amber LED for night-time localisation
Output contact	1 NO/NC 16A (AC1) / 230V ac Incandescent lamps (230V ac): 1500W - Halogen lamps (230V ac): 1500W. Loads piloted from electronic transformers: 600VA - Uncompensated fluorescent lamps: 400VA - Energy saving lamps (compact fluorescent): 8x23W. Use a support relay for the compensated fluorescent lamps and for all loads that are not indicated.
Operating temperature	-5 to +45°C
Dimensions	2 Chorus modules
Section of load cables	max. 4mm ²
Connection to the BUS	Coupling terminal, 2 pins Ø 1mm

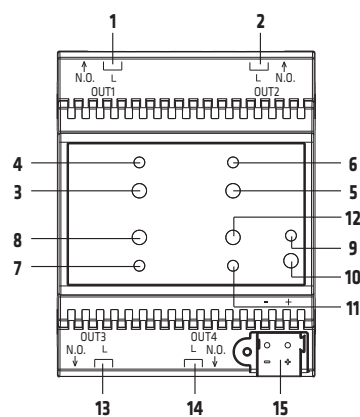
For technical information contact the Technical Assistance Service or visit gewiss.com

KNX 4-channel 10A and 16A actuators - from DIN rail

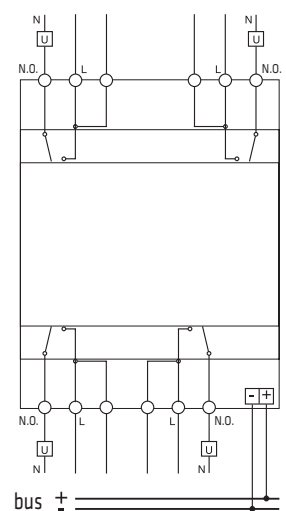
The devices are configured with the ETS software to implement the functions shown in the table.

MAIN FUNCTIONS	
Switchover	Safety function
parameterisation of output behaviour (NO/NC)	periodical monitoring of input object
timing of stair lights, with possibility to set the duration of the timing via BUS	Logic functions
timing of stair lights with switch-off pre-warning function	logic operations AND/NAND/OR/NOR/XOR/XNOR up to 4 logic inputs
delayed activation/deactivation	logic operation AND/NAND/OR/NOR with command object (switching, timed switching, delayed switching, flashing) and result of logic operation
flashing	result of the logic operation used to enable command object (switching, timed switching, delayed switching, flashing, scenario)
Scenes	Output status
memorisation and activation of 8 scenes (value 0..63) for each output	parameterised sending on BUS
activation/deactivation of memorisation of scenes from BUS	Other functions
Priority commands	parameterisation of output behaviour with voltage fall/reset on BUS
parameterisation of the output relay value at the end of the forcing	parameterisation of behaviour of local command button keys
Blocking commands	parameterisation of priorities among input objects
parameterisation of blocking object value and output relay value at the end of the blocking	

Detailed information on the application programmes and installation modes is available in the Technical Manual and the product instructions booklet



1. Output relay 1
2. Output relay 2
3. Relay 1 local command button
4. Relay 1 status LED
5. Relay 2 local command button
6. Relay 2 status LED
7. Relay 3 status LED
8. Relay 3 local command button
9. LED for programming physical address
10. Button key for programming physical address
11. Relay 4 status LED
12. Relay 4 local command button
13. Output relay 3
14. Output relay 4
15. Bus terminals



Reference standards:
 Low Voltage Directive 2006/95/EC
 Electromagnetic Compatibility Directive 2004/108/EC, EN50428, EN50090-2-2

TECHNICAL DATA		
	GW 90 741	GW 90 740 A
Power supply	Via KNX BUS - 29V dc SELV	
Current absorbed by BUS	10mA max	
Control elements	1 miniature button key for programming physical address 4 push-buttons for local relay command (the push-buttons work only when the bus voltage is available)	
Display elements	1 red LED for programming physical address 4 green LEDs for signalling output status	
Output contacts	4 NA 10A(AC1) 230V ac Incandescent lamps (230V ac): 1500 W Halogen lamps (230V ac): 1500 W Loads piloted from electronic transformers: 600 VA Uncompensated fluorescent lamps: 400 VA Energy saving lamps (compact fluorescent): 8x23W Use a support relay for the compensated fluorescent lamps and for all loads that are not indicated.	4 NA 16AX 230V ac Incandescent lamps (230V ac): 3000 W Halogen lamps (230V ac): 3000 W Loads piloted from toroidal transformers: 3000 W Loads piloted from electronic transformers: 2000 W Energy saving lamps (compact fluorescent): 80x23W Max. switchover current 16A (AC1), 16AX (140µF ref. EN 60669-1) fluorescent loads with maximum surge current 400A (200µs).
Operating temperature	-5 ÷ +45°C	
Dimensions	4 DIN modules	
Dimension of load cables	2.5mm² max	
Connection to the BUS	Coupling terminal, 2 pins	

For technical information contact the Technical Assistance Service or visit gewiss.com

KNX 4-channel 16AX actuator with manual command - from DIN rail

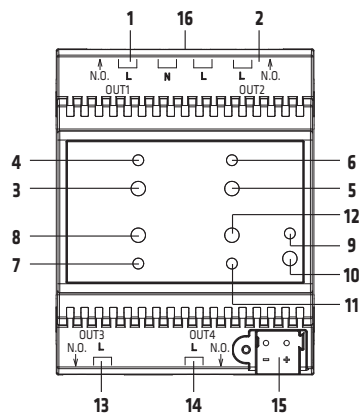
The device is configured with the ETS software to implement the functions shown in the table.

MAIN FUNCTIONS	
Switchover parameterisation of output behaviour (NO/NC) timing of stair lights, with possibility to set the duration of the timing via BUS timing of stair lights with switch-off pre-warning function delayed activation/deactivation flashing	Safety function periodical monitoring of input object
Scenes memorisation and activation of 8 scenes (value 0..63) for each output activation/deactivation of memorisation of scenes from BUS	Logic functions logic operations AND/NAND/OR/NOR/XOR/XNOR up to 4 logic inputs logic operation AND/NAND/OR/NOR with command object (switching, timed switching, delayed switching, flashing) and result of logic operation result of the logic operation used to enable command object (switching, timed switching, delayed switching, flashing, scenario)
Priority commands parameterisation of the output relay value at the end of the forcing	Output status parameterised sending on BUS
Blocking commands parameterisation of blocking object value and output relay value at the end of the blocking	Other functions parameterisation of output behaviour with voltage fall/reset on BUS parameterisation of behaviour of local command button keys parameterisation of priorities among input objects

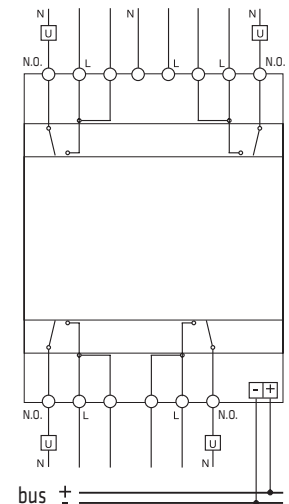
Detailed information on the application programmes and installation modes is available in the Technical Manual and the product instructions booklet.



GW 90 742



1. Output relay 1
2. Output relay 2
3. Relay 1 local command button
4. Relay 1 status LED
5. Relay 2 local command button
6. Relay 2 status LED
7. Relay 3 status LED
8. Relay 3 local command button
9. LED for programming physical address
10. Button key for programming physical address
11. Relay 4 status LED
12. Relay 4 local command button
13. Output relay 3
14. Output relay 4
15. Bus terminals
16. Auxiliary 230V ac



Reference standards:
 Low Voltage Directive 2006/95/EC
 Electromagnetic Compatibility Directive
 2004/108/EC, EN50428, EN50090-2-2

TECHNICAL DATA	
Power supply	Via KNX BUS 29V dc SELV - Auxiliary power supply 230V ac
Current absorbed by BUS	10mA max
Control elements	1 miniature button key for programming physical address 4 push-buttons for local relay command (the push-buttons work also when the bus voltage is down)
Display elements	1 red LED for programming physical address 4 green LEDs for signalling output status
Output contacts	4 NA 16AX 230V ac Incandescent lamps (230V ac): 3000 W Halogen lamps (230V ac): 3000 W Loads piloted from toroidal transformers: 3000 W Loads piloted from electronic transformers: 2000 W Energy saving lamps (compact fluorescent): 80x23W Max. switchover current 16A (AC1), 16AX (140µF ref. EN 60669-1) fluorescent loads with maximum surge current 400A (200µs).
Operating temperature	-5 ÷ +45°C
Dimensions	4 DIN modules
Dimension of load cables	2.5mm ² max
Connection to the BUS	Coupling terminal, 2 pins Ø 1mm

For technical information contact the Technical Assistance Service or visit gewiss.com

8- AND 12-CHANNEL ACTUATORS WITH MANUAL ACTUATION		
	GW 90 737	GW 90 738
No. outputs	8	12
Manual control	•	•
Contact capacity	16A (cos φ 1) 16A (cos φ 0.6)	16A (cos φ 1) 16A (cos φ 0.6)
Current absorbed by BUS	15mA	15mA
Power supply	From BUS	From BUS
Auxiliary power supply		
Connection to the BUS	BUS terminal	BUS terminal
No. of DIN modules	8	12
MAIN FUNCTIONS		
Delayed activation/deactivation; timer for stair lights	•	•
Logic functions / priority functions / channels lock	•	•
Setting for behaviour in case of BUS power failure	•	•
Central function (one object for all the channels)	•	•
Flashlight function	•	•
Management of scenes with number (1-8)	•	•
Memorisation of scenes	•	•

Common technical characteristics:

- Operating temperature: from -5°C to 45°C;
- Storage temperature: from -25°C to 55°C.

KNX 1-channel 6A roller shutter actuator - flush-mounting

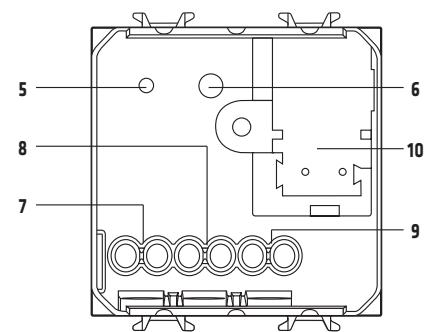
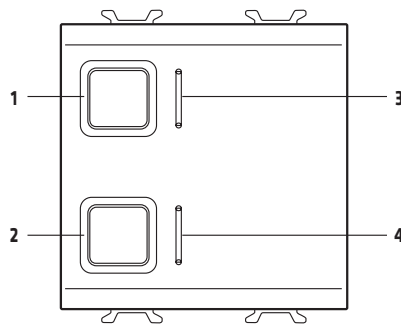
The device is configured with the ETS software to implement the functions shown in the table.

MAIN FUNCTIONS	
Command functions management of rise/descent/stop movements slat adjustment movement command in relative position (0% - 100%) automatic adjustment of slat position	Alarms management of alarm position (up to 3 sensors) and periodical monitoring of input objects
Scenes memorisation and activation of 8 scenes (value 0 - 63) activation/deactivation of memorisation of scenes from BUS	Status information parameterised sending on BUS signalling of last movement performed signalling of position (0% - 100%)
Priority commands parameterisation of position at end of forcing	Other functions parameterisation of behaviour with voltage fall/reset on BUS
Blocking commands parameterisation of position at end of blocking	

Detailed information on the application programmes and installation modes is available in the Technical Manual and the product instructions booklet.

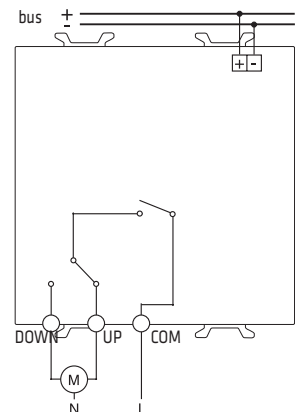


GW 10 797 - GW 12 797 - GW 14 797



Reference standards:
 Low Voltage Directive 2006/95/EC
 Electromagnetic Compatibility Directive
 2004/108/EC, EN50428, EN50090-2-2

1. Local command push-button 1 (UP)
2. Local command push-button 2 (DOWN)
3. LED for output status (UP) and night-time localisation
4. LED for output status (DOWN) and night-time localisation
5. LED for programming physical address
6. Push-button for programming physical address
7. Relay output (DOWN)
8. Relay output (UP)
9. Common
10. BUS terminals



TECHNICAL DATA	
Power supply	Via KNX BUS 29V DC SELV
Current absorbed by BUS	max. 8mA
Control elements	1 miniature button key for programming physical address 2 push-buttons for local relay command
Display elements	1 red LED for programming physical address 2 green LEDs for signalling output status / 2 amber LEDs for night-time localisation
Output contacts	6A - 230V AC Motors and gear motors, in compliance with EN60669-2-1
Operating temperature	-5 to +45°C
Dimensions	2 Chorus modules
Dimension of load cables	max. 4mm ²
Connection to the BUS	Coupling terminal, 2 pins Ø 1mm

For technical information contact the Technical Assistance Service or visit gewiss.com

KNX 2- and 4-channel 6A roller shutter actuators - from DIN rail

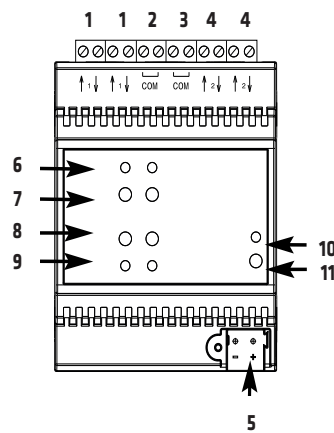
The devices are configured with the ETS software to implement the functions shown in the table.

MAIN FUNCTIONS	
Command functions	Status information
management of rise/descent/stop movements	parameterised sending on BUS
slat adjustment	signalling of last movement performed
movement command in relative position (0% - 100%)	signalling of position (0% - 100%)
adjustment command for slat position (0% - 100%)	signalling of slat position (0% - 100%)
automatic adjustment of slat position	Automatic operation
Priority commands	parameterisation of relative position and slat position for protection against solar irradiation
parameterisation of position at end of forcing	parameterisation of relative position and slat position for temperature adjustment function
Blocking commands	activation/deactivation of automatic operation from BUS
parameterisation of position at end of blocking	selection of automatic operation mode (protection against solar irradiation/temperature adjustment function) from BUS
Alarms	selection of type of temperature adjustment function (room heating/cooling) from BUS
management of wind alarm and alarm end position (up to 3 sensors) and periodical monitoring of input objects	Other functions
management of rain alarm and alarm end position (1 sensor) and periodical monitoring of input objects	parameterisation of behaviour with voltage fall/reset on BUS
management of ice alarm and alarm end position (1 sensor) and periodical monitoring of input objects	parameterisation of stroke limits for roller shutters/Venetian blinds
parameterisation of priorities amongst weather alarms	activation/deactivation of stroke limits from BUS
Scenes	setting of higher or lower stroke limit from BUS
memorisation and activation of 8 scenes (value 0..63)	execution of automatic calibration
activation/deactivation of memorisation of scenes from BUS	parameterisation of behaviour of local command button keys

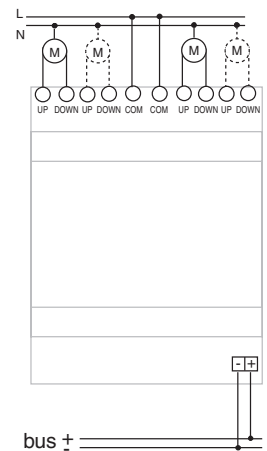
Detailed information on the application programmes and installation modes is available in the Technical Manual and the product instructions booklet.



GW 90 856



1. CHANNEL 1 output relay
2. Common (CHANNEL 1)
3. Common (CHANNEL 2)
4. CHANNEL 2 output relay
5. Bus terminals
6. CHANNEL 1 and 2 (UP) LED output status
7. CHANNEL 1 and 2 (UP) local command buttons
8. CHANNEL 1 and 2 (DOWN) local command buttons
9. CHANNEL 1 and 2 (DOWN) LED output status
10. LED for programming physical address
11. Button key for programming physical address

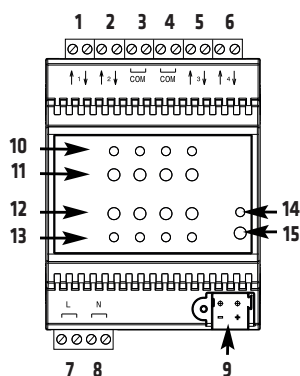


Reference standards:
 Low Voltage Directive 2006/95/EC
 Electromagnetic Compatibility Directive
 2004/108/EC, EN50428, EN50090-2-2, EN60669-2-1

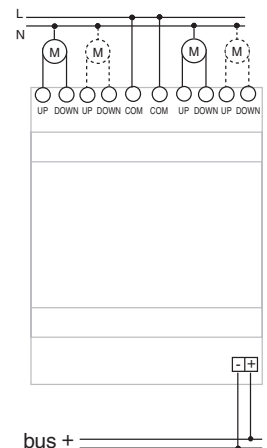
ATTENTION: When making the parallel connection of several motors, always use support or insulation relays.



GW 90 857



1. CHANNEL 1 output relay
2. CHANNEL 2 output relay
3. Common (CHANNEL 1 - CHANNEL 2)
4. Common (CHANNEL 3 - CHANNEL 4)
5. CHANNEL 3 output relay
6. CHANNEL 4 output relay
7. Auxiliary power supply (PHASE)
8. Auxiliary power supply (NEUTRAL)
9. Bus terminals
10. CHANNEL 1,2,3 and 4 (UP) LED output status
11. CHANNEL 1,2,3 and 4 (UP) local command buttons
12. CHANNEL 1,2,3 and 4 (DOWN) local command buttons
13. CHANNEL 1,2,3 and 4 (DOWN) LED output status
14. LED for programming physical address
15. Button key for programming physical address



TECHNICAL DATA		
	GW 90 856	GW 90 857
Power supply	Via KNX BUS 29V DC SELV	
Current absorbed by BUS	max. 10mA	
Control elements	Button key for programming physical address 4 push-buttons for local command	Button key for programming physical address 8 push-buttons for local command
Display elements	1 red LED programming physical address 4 green LEDs (status indicator)	1 red LED programming physical address 8 green LEDs (status indicator)
Output contacts	4 NO of 8A (cos $\varphi=1$) - 250V AC Motors and gear motors: 6A in compliance with EN60669-2-1	8 NO of 8A (cos $\varphi=1$) - 250V AC Motors and gear motors: 6A in compliance with EN60669-2-1
Dimension of load cables	max. 4mm ²	
Dimensions	4 DIN modules	
Operating temperature	-5 to +45°C	
Connection to the BUS	Coupling terminal, 2 pins \varnothing 1mm	

OUTPUTS FOR ROLLER SHUTTERS	
	GW 90 753
No. connectable and separately manageable motors	Max. 8
Rated current	10A (cos φ 1) 10A (cos φ 0.6)
Maximum motor capacity	max. 1000W
Current absorbed by BUS	max. 17.5mA
Power supply	From BUS
Connection to the BUS	BUS terminal
No. of DIN modules	8

MAIN FUNCTIONS	
Movement, stop, step movements	•
Adjustment of the slats for Venetian blinds	•
Safety (e.g. pre-setting of movements for wind alarm)	•
Predefined movements (e.g. for scenes)	•
Predefined movements in the event of a lack/return of BUS voltage	Only in case of reset
Manual controls	•

Common technical characteristics:

- Operating temperature: from -5°C to 45°C;
- Storage temperature: from -25°C to 55°C.

KNX 3-channel dimmer actuator 1-10V - from DIN rail

The device is configured with the ETS software to implement the functions shown in the table.

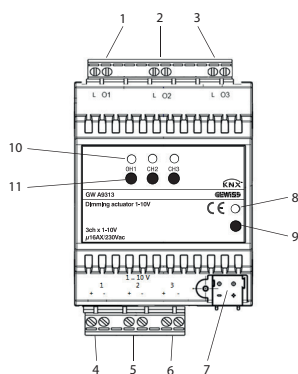
MAIN FUNCTIONS	
ON/OFF switching setting the degree of light intensity for the execution of the ON switchover command Relative brightness regulation parameterisation of the maximum and minimum adjustment threshold parameterisation of the relative adjustment speeds between 0% and 50%, and between 50% and 100%	Lockout function parameterisation of the lockout activation value, behaviour when lockout is active, and behaviour when lockout is deactivated setting the lockout object value upon download and upon bus voltage reset
Absolute brightness regulation setting the mode for reaching the required light intensity (via a ramp or jump to that value) parameterisation of the ramp adjustment speed 0% - 100%	Slave mode for control from bus service setting the monitoring time and dimmer behaviour in safe operating mode parameterisation of the slave mode value upon download and upon voltage reset
Scenes memorising and activating 8 scenes (value 0-63) enabling/disabling of scene learning from bus	Logic functions logic operation AND/NAND/OR/NOR with command object and result of logic operation logic operations AND/NAND/OR/NOR/XOR/XNOR up to 8 logic inputs Setting the NOT operation on the 8 inputs setting the mode for reaching the required light intensity (via a ramp or jump to that value) parameterisation of the ramp adjustment speed 0% - 100% the delay at switch-on and switch-off
Priority command (forcing) setting the degree of light intensity with forcing activation ON setting the forcing status upon bus voltage reset	Other functions parameterisation of the regulation characteristic parameterisation of the output behaviour upon failure and reset of bus voltage setting the transmission of information concerning the ON/OFF status and the current light intensity percentage value setting the transmission of information concerning overloads setting the transmission of information concerning the absence of a 230V voltage (with bus voltage present) enabling the channel counter for counting the period the channel is on or off setting the local button key operation
Timed switchover (stair riser light) parameterisation of light value during timing setting the activation time setting the pre-warning time parameterisation of behaviour when a timed activation command is received with timing already active setting the stair raiser light activation time from the bus	

Detailed information on the application programmes and installation modes is available in the Technical Manual and the product instructions booklet.

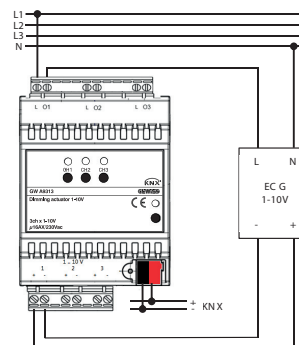


GW A9 313

Reference standards:
 Low Voltage Directive 2014/35/EU
 Electromagnetic Compatibility Directive 2014/30/EU, EN50491, EN60669-2-5



1. Screw terminals for the relay contacts of the power supply to ballast, channel 1
2. Screw terminals for the relay contacts of the power supply to ballast, channel 2
3. Screw terminals for the relay contacts of the power supply to ballast, channel 3
4. Screw terminals for the control voltage 1-10V canale 1



5. Screw terminals for the control voltage 1-10V canale 2
6. Screw terminals for the control voltage 1-10V canale 3
7. Bus terminals
8. LED for programming
9. Button key for programming physical address
10. LED for programming physical address
11. Push-buttons for local channel command

TECHNICAL DATA	
Power supply	Via KNX bus 29V dc SELV
Current absorbed by bus	20mA max
Control elements	1 miniature button key for programming physical address 3 push-buttons for local channel command
Display elements	1 red LED for programming physical address 3 channel status LEDs
Actuation elements	3 relays 16 AX with NO potential free contact
Corrente max di commutazione	16A (AC1) 16AX (140uF ref. EN60669-1) fluorescent loads with maximum surge current 400A (200us)
Maximum power for load type	
- Incandescent and halogen lamps (230Vac)	3000W
- Loads controlled by toroidal transformers	3000W
- Loads controlled by electronic transformers	2000W
- Low consumption lamps (compact fluorescent lamps)	80x23W
Load capacity per channel 1-10V	Max. 100mA
Operating temperature	-5 ÷ +45 °C
Dimensions	4 DIN modules
Connection to the bus	Coupling terminal, 2 pin Ø 1mm

KNX 1- and 2-channel universal dimmer actuator - from DIN rail

The device is configured with the ETS software to implement the functions shown in the table.

MAIN FUNCTIONS	
ON/OFF switchover	Lockout functions
setting the degree of light intensity for the execution of the ON switchover command	parameterisation of the lockout activation value, behaviour when lockout is active, and behaviour when lockout is deactivated
Relative light adjustment	setting the lockout object value upon download and upon bus voltage reset
parameterisation of the maximum and minimum adjustment thresholds	Slave mode for control from bus device
parameterisation of the relative adjustment speeds between 0% and 50%, and between 50% and 100%	setting the monitoring time and dimmer behaviour in safe operating mode
Absolute light intensity regulation	parameterisation of the slave mode value upon download and upon voltage reset
setting of the mode for reaching the required light intensity value (via a ramp or jump to that value)	Logic function
parameterisation of the ramp regulation speed 0% - 100%	logic operation AND/NAND/OR/NOR with command object and result of logic operation
Scenes	logic operations AND/NAND/OR/NOR/XOR/XNOR up to 8 logic inputs
storage and activation of 8 scenes (value 0-63)	setting of the NOT operation on 8 inputs
enabling/disabling of scene learning from bus	setting the mode for reaching the required light intensity (via a ramp or jump to that value)
Priority command (forcing)	parameterisation of the ramp regulation speed 0% - 100%
setting the degree of light intensity with forcing ON activation	setting the delay for switch-on and switch-off
setting the forcing status upon bus voltage reset	Other functions
Timed switchover (stair raiser light)	parameterisation of the output behaviour upon failure and reset of BUS voltage
parameterisation of light value during timing	setting of transmission of information concerning the ON/OFF status and the current light intensity percentage value
setting the activation time	setting of transmission of information concerning overloads
setting the pre-warning time	setting of transmission of information concerning 230V voltage absence (with BUS voltage present)
parameterisation of behaviour when a timed activation command is received with timing already active	enabling of channel counter for calculating the channel ON/OFF period
setting the stair raiser light activation time from the bus	setting the local button key operation

Informazioni di dettaglio sui programmi applicativi e sulle modalità di installazione sono disponibili sul Manuale Tecnico e sul libretto di istruzioni del prodotto.

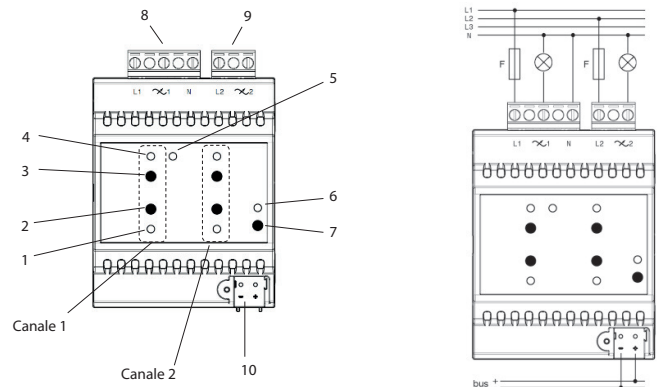


GW A9 301



GW A9 302

Reference standards:
 Low Voltage Directive 2006/95/EC
 Electromagnetic Compatibility Directive
 2004/108/EC, EN50428, EN60669-2-5, EN50090-2-2



- LED signalling the type of load
- Push-buttons for selecting the type of load
- Push-buttons for local channel command
- LED for channel status
- LED for fault signalling
- LED for programming physical address
- Button key for programming physical address
- Terminal for connecting channel 1
- Terminal for connecting channel 2
- Bus terminals

TECHNICAL DATA		
	GW A9 301 (1 channel)	GW A9 302 (2 channels)
Power supply	Via KNX bus 29V dc SELV	
Current absorbed by bus	10mA max	
Control elements	1 miniature button key for programming physical address Push-buttons for local channel command Push-buttons for selecting the type of load	
Display elements	1 red LED for programming physical address LED for channel status LED signalling the type of load LED for fault signalling	
Rated voltage	230Vac (±10%), 50/60Hz	
Output power (per each channel)		
- 230Vac incandescent and halogen lamps	10-500W	10-300W
- Low voltage halogen lamps with electronic transformers	10-500VA	10-300VA
- Low voltage halogen lamps with ferromagnetic transformers	10-500VA	10-300VA
- 230Vac LED lamps with dimmer function	3-150W	3-75W
- CFL lamps with dimmer function	5-150W	5-75W
Operating temperature	-5 ÷ +45 °C	
Dimensions	4 DIN modules	
Electric connection	Screw terminals, max. cable section 2.5 mm ²	
Connection to the bus	Coupling terminal, 2 pin Ø 1mm	

KNX dimmer actuators for LED - from DIN rail

The devices are configured with the ETS software to implement the functions shown in the table.

MAIN FUNCTIONS	
ON/OFF switching (*)	parameterisation of behaviour when a timed activation command is received with timing already active
setting the degree of light intensity corresponding to the ON switching command	setting the stair raiser light activation time from the BUS
setting the delay for switch-on and switch-off	Blocking function (*)
RGB[W] relative brightness control (*)	parameterisation of the block activation value, behaviour when the block is active and behaviour when the block is deactivated
parameterisation of the maximum and minimum adjustment thresholds	setting the blocking object value upon download and upon BUS voltage reset
parameterisation of the relative adjustment speeds between 0% and 50%, and between 50% and 100%	Logic function
RGB[W] absolute brightness control (*)	logic operation AND/NAND/OR/NOR with command object and result of logic operation
setting the mode for reaching the required light intensity (via a ramp or jump to that value)	logic operations AND/NAND/OR/NOR/XOR/XNOR up to 4 logic inputs
parameterisation of the ramp adjustment speed 0% - 100%	setting the NOT operation on the 4 inputs
Scenes (*)	Other functions
memorising and activating 8 scenes (value 0 - 63)	parameterisation of the output behaviour upon failure and reset of BUS voltage
enabling/disabling of scene learning from BUS	setting the transmission of information concerning the ON/OFF status and the current light intensity percentage value
Colour sequences	setting the transmission of information concerning overheating, auxiliary voltage failure or polarity inversion
execution of preconfigured colour sequences (e.g. strobe, rainbow, blinking, etc.)	setting the transmission of information concerning the absence of auxiliary voltage (with BUS voltage present)
setting of reproduction speeds, initial colour and number of repetitions	setting PWM frequencies
Priority command (forcing) (*)	setting output current values (CCD version) for each channel
setting the degree of light intensity with forcing ON activation	setting local button key operation
setting the forcing status upon BUS voltage reset	
Timed switchover (stair raiser light) (*)	
parameterisation of light value during timing	
setting the activation time	
setting the pre-warning time	

(*) for each individual channel and 4 channels at the same time.

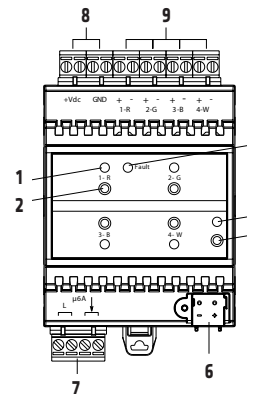
Detailed information on the application programmes and installation modes is available in the Technical Manual and the product instructions booklet.



GW 90 764



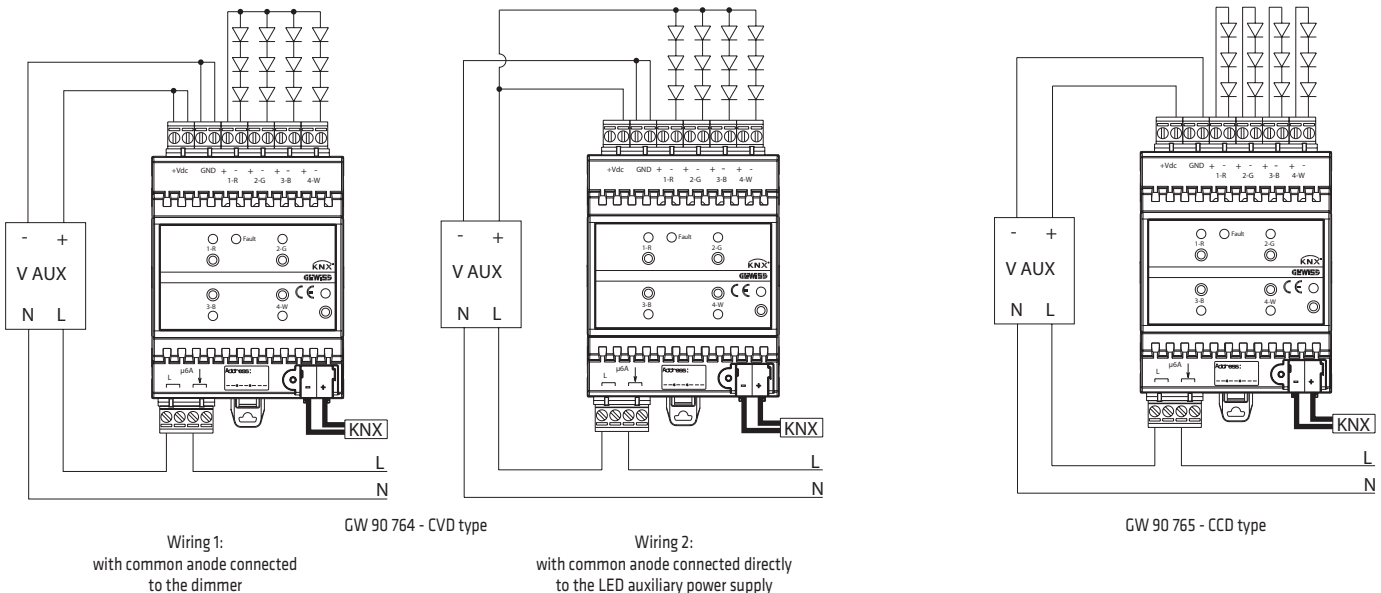
GW 90 765



1. Channel status LED
2. Channel test push-button
3. Fault signalling LED
4. LED for programming physical address
5. Button key for programming physical address
6. Bus terminals
7. Relay contact terminals for LED power supply
8. LED auxiliary power supply terminals
9. Output channel terminals

Reference standards:

- Low Voltage Directive 2006/95/EC
- Electromagnetic Compatibility Directive 2004/108/EC, EN50428, EN50090-2-2, EN61347-1, EN61347-2-13



For technical information contact the Technical Assistance Service or visit gewiss.com

TECHNICAL DATA		
	GW 90 764	GW 90 765
Power supply	Via KNX BUS 29V DC SELV	
Current absorbed by BUS	max. 10mA	
Auxiliary power supply	12...24Vdc	12...48Vdc
Control elements	Button key for programming physical address 4 front output test button keys	
Display elements	1 red LED for programming physical address 1 red fault signalling LED 4 two-toned output status signalling LEDs (1 for each channel)	
Maximum output current	Max 4A (the maximum current for the channel is determined based on the type of wiring performed and the effective number of channels used)	from 300mA to 700mA for each output channel
Actuation elements	6A relay contact for controlling the mains voltage of the LED auxiliary power supply	
	4 PWM outputs with constant voltage control	4 PWM outputs with constant current control
Dimensions	4 DIN modules	
Operating temperature	-5 to +45°C	
Connection to the BUS	Coupling terminal, 2 pins Ø 1mm	

COMBINED DEVICES

KNX 8-channel (4 digital + 4 universal) input module - from DIN rail

The module has 4 digital inputs for connecting push-buttons or conventional potential-free contacts and 4 universal inputs configurable to act as digital inputs for connecting push-buttons or conventional potential-free contacts, analogue inputs (0..20mA, 4..20mA, 0..10V, 0..1V), digital inputs for measurement devices with 50 interface, inputs for NTC probe sensors that can be used for controlling the same number of thermoregulation areas. The module has also 4 PWM digital output channels for LEDs (3.3V) to signal the status of the commanded load. The device is configured with the ETS software to implement the functions shown in the table.

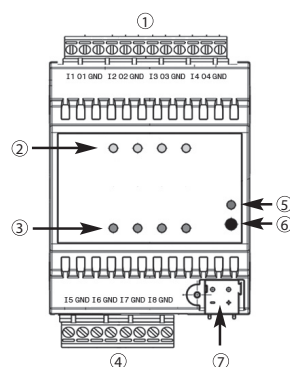
MAIN FUNCTIONS	
DIGITAL INPUTS	
Binary inputs for potential-free contacts	command of dimmer with single push-button (cyclical sending or stop command)
command/sequence fronts	command of roller shutters with single push-button
switching sequences	command of dimmer with combined inputs (cyclical sending or stop command)
impulse count	command of roller shutters with combined inputs
multiple pressure management	scenes
UNIVERSAL INPUTS	
Binary inputs for potential-free contacts (all the channels)	setting of threshold values, with signalling of exceeded threshold and hysteresis management
command/sequence fronts	thresholds can be set via bus
switching sequences	Analogue inputs (all the channels)
impulse count	inputs 1/2 -> current measurement 0..20 mA or 4..20 mA
multiple pressure management	inputs 3/4 -> voltage measurement 0..10 V or 0..1 V
command of dimmer with single push-button (cyclical sending or stop command)	transmission of the measured value on the bus, with any necessary conversion scale/percentage value
command of roller shutters with single push-button	setting of threshold values, with signalling of exceeded threshold and hysteresis management
command of dimmer with combined inputs (cyclical sending or stop command)	threshold can be set via bus
command of roller shutters with combined inputs	Thermostats (max 4) for controlling the same number of temperature adjustment areas, with inputs for NTC temperature sensors (all the channels)
scenes	measurement of temperature value from external NTC probe sensors (GW10800 or GW1x900)
Digital inputs for measurement devices with 50 interface (all the channels)	
measurement and conversion of the input value from energy meters (KWh or Wh), instantaneous power (KW or W), water (volume in m ³) or gas (volume in m ³)	
setting of threshold values, with signalling of exceeded threshold	
threshold can be set via bus	
Inputs for NTC temperature sensors (all the channels)	
measurement of temperature value from external NTC probe sensors (GW10800 or GW1x900)	
OUTPUTS FOR LEDs 3.3V (SIGNALLING THE STATUS OF THE LOAD)	
PWM digital outputs for LEDs 3.3V (all the channels)	management of status or inverted status (night-time signalling)
signalling of communication object status on specific bus	management of % of light intensity via PWM control

Detailed information on the application programmes and installation modes is available in the Technical Manual and the product instructions booklet.

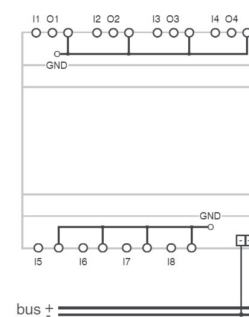


GW 90 728

Reference standards:
 Low Voltage Directive 2006/95/EC
 Electromagnetic Compatibility Directive 2004/108/EC,
 EN50428, EN60669-2-5, EN50090-2-2



1. Universal inputs/outputs
2. LED for status of universal inputs
3. LED for status of digital inputs
4. Binary inputs



5. LED for programming physical address
6. Button key for programming physical address
7. Bus terminals

TECHNICAL DATA	
On/Off switching	Via KNX bus 29V dc SELV
timed activation/delayed activation/ delayed deactivation	10mA max
flashing	1 miniature button key for programming physical address
scene management	8 amber LEDs for input status signalling 1 red LED for programming physical address
blocking commands	Digital input reading voltage: 3.3V dc Max distance for connection of potential-free contacts: 50m S0 interface reading voltage: 8-10V dc
On/Off forcing	Digital output command voltage: 3.3V dc
safety functions	-5 ÷ +45 °C
logic functions for a single channel	4 DIN modules
Connessione elettriche	Extractable screw terminals, max cable section: 4 mm ²
Connessione al bus	Coupling terminal, 2 pin Ø 1mm

KNX 4-channel 10A actuator + 4 universal inputs - from DIN rail

The module has 4 relay 10A output channels and 4 universal input channels that can be configured as inputs for push-buttons or conventional potential-free contacts, analogue inputs (0..20mA, 4..20mA, 0..10V, 0..1V), digital inputs for measurement devices with S0 interface (max 1), inputs for NTC probe sensors (max 2) that can be used for controlling the same number of thermoregulation areas. The 4 universal input channels can also be configured as PWM outputs for LEDs (3.3V) for signalling the status of the loads. The device is configured with the ETS software to implement the functions shown in the table.

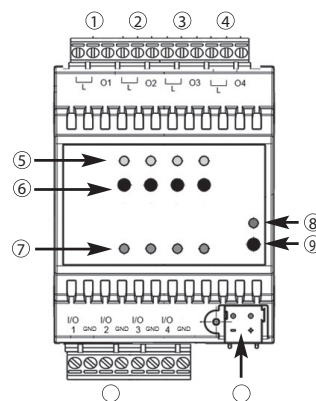
MAIN FUNCTIONS	
RELAY OUTPUT CHANNELS	
Relay outputs	blocking commands
On/Off switching	On/Off forcing
timed activation/delayed activation/delayed deactivation	safety functions
flashing	logic functions for a single channel
scene management	
UNIVERSAL INPUTS	
Binary inputs for potential-free contacts (all the channels)	setting of threshold values, with signalling of exceeded threshold and hysteresis management
command/sequence fronts	thresholds can be set via bus
switching sequences	Analogue inputs (all the channels)
impulse count	inputs 1/2 -> current measurement 0..20 mA or 4..20 mA
multiple pressure management	inputs 3/4 -> voltage measurement 0..10 V or 0..1 V
command of dimmer with single push-button (cyclical sending or stop command)	transmission of the measured value on the bus, with any necessary conversion scale/percentage value
command of roller shutters with single push-button	setting of threshold values, with signalling of exceeded threshold and hysteresis management
command of dimmer with combined inputs (cyclical sending or stop command)	threshold can be set via bus
command of roller shutters with combined inputs	Thermostats (max 2) for controlling the same number of temperature adjustment areas, with inputs for NTC temperature sensors (channels 1 and 3)
scenes	measurement of temperature value from external NTC probe sensors (GW10800 or GW1x900)
Digital inputs for measurement devices with S0 interface (channel 2 only)	PWM digital outputs per LEDs 3.3V (all the channels)
measurement and conversion of the input value from energy meters (KWh or Wh), instantaneous power (KW or W), water (volume in m3) or gas (volume in m3)	signalling of communication object status on specific bus
setting of threshold values, with signalling of exceeded threshold	management of status or inverted status (night-time signalling)
threshold can be set via bus	management of % of light intensity via PWM control
Local command inputs for relay outputs (all the channels)	
command of the corresponding relay output	
setting of monostable (toggle) or bistable command	
Inputs for NTC temperature sensors (all the channels)	
measurement of temperature value from external NTC probe sensors (GW10800 or GW1x900)	

Detailed information on the application programmes and installation modes is available in the Technical Manual and the product instructions booklet.

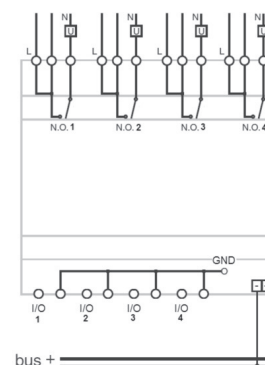


GW 90 730

Reference standards:
 Low Voltage Directive 2006/95/EC
 Electromagnetic Compatibility Directive
 2004/108/CE, EN50428, EN60669-2-5, EN50090-2-2



1. Output relay 1
2. Output relay 2
3. Output relay 3
4. Output relay 4
5. Relay status LED
6. Relay command button



7. Input status LED
8. LED for programming physical address
9. Button key for programming physical address
10. 4 universal inputs
11. Bus terminals

TECHNICAL DATA	
Power supply	Via KNX bus 29V dc SELV
Current absorbed by bus	10mA max
Control elements	1 miniature button key for programming physical address 4 buttons for local relay command
Display elements	4 amber LEDs for input status signalling 4 green LEDs for signalling output status 1 red LED for programming physical address
Inputs	Digital input reading voltage: 3.3V dc Max distance for connection of potential-free contacts: 50m SO interface reading voltage: 8-10V dc
Outputs	Digital output command voltage: 3.3V dc 4 relays with NO potential-free contact
Output contacts (relays)	4 NO 10A 230V ac Incandescent lamps (230V ac): 1500W Halogen lamps (230V ac): 1500W Loads controlled by electronic transformers: 600VA Uncompensated fluorescent loads: 400VA Energy-saving lamps (compact fluorescent): 8x23W
Operating temperature	-5 ÷ +45 °C
Dimension	4 DIN modules
Electric connection	Extractable screw terminals, max cable section: 4 mm ²
Connection to the bus	Coupling terminal, 2 pin Ø 1mm

TEMPERATURE ADJUSTMENT

KNX timed thermostat/programmer with humidity management - flush-mounting

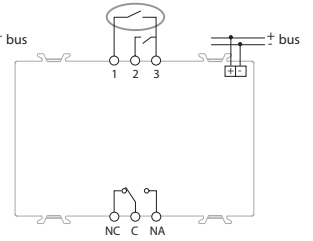
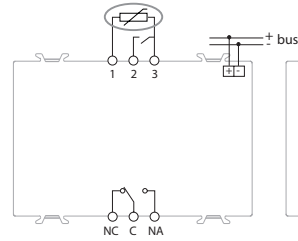
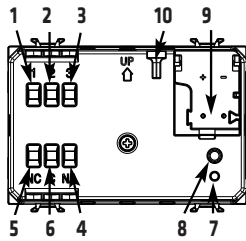
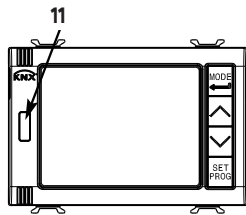
The KNX flush-mounting timed thermostat with humidity management is used to automatically manage (on a weekly basis) a humidification/dehumidification system alongside a temperature adjustment system, or to interact with the temperature adjustment system and the causes of humidity formation. The temperature and humidity are adjusted by commanding - on a KNX BUS - the KNX actuators that control the heating or cooling elements, including the fan coils and the humidification/dehumidification elements. The timed thermostat can work in "autonomous" control mode, to autonomously manage the temperature adjustment system (or parts of it); when combined with the KNX flush-mounting thermostats (GW 10 795 H - GW 12 795 H - GW 14 795 H), it can work in "Master" control mode to create multi-area temperature adjustment systems. The hourly profiles are defined on a weekly basis. An independent hourly profile can be programmed for each day of the week, with a 15 minute resolution and without any limit to the daily variations. If an hourly profile is configured to control the HVAC or Setpoint mode of a KNX flush-mounting temperature adjustment probe (GW 10 799 - GW 12 799 - GW 14 799 - GW 10 799 H - GW 12 799 H - GW 14 799 H), the profile parameters can be visualised.

The device is configured with the ETS software to implement the functions shown in the table.

MAIN FUNCTIONS	
<p>Temperature control</p> <ul style="list-style-type: none"> with 2 points, with ON/OFF commands or continuous adjustment (0% - 100%) PI control with PWM commands or continuous adjustment (0% - 100%) <p>Control of fan coil speed</p> <ul style="list-style-type: none"> with distinct speed selection commands (ON/OFF) with continuous adjustment (0% - 100%) <p>Operating mode setting</p> <ul style="list-style-type: none"> from BUS, with distinct objects of 1 bit (OFF, ECONOMY, PRECOMFORT, COMFORT, AUTO) from BUS with objects of 1 byte <p>Temperature measurement</p> <ul style="list-style-type: none"> with built-in sensor combined built-in sensor/KNX temperature adjustment probe/external temperature sensor with definition of the relative weight calculation of the dew temperature setting of 1 threshold associated with the dew point temperature, with BUS commands sent when the threshold is exceeded and restored <p>Measuring relative humidity</p> <ul style="list-style-type: none"> relative humidity measurement received from an external KNX sensor estimate of relative humidity in the point where the timed thermostat is installed setting of up to 5 relative humidity thresholds, with BUS commands sent when the threshold is exceeded and restored calculation of specific humidity indication of the thermal well-being status 	<p>Underfloor probe</p> <ul style="list-style-type: none"> setting of threshold value for floor temperature alarm <p>Temperature control for specific zones</p> <ul style="list-style-type: none"> with transmission of the operating mode towards Slave thermostats with transmission of set point towards Slave thermostats with local selection of operating mode and setpoints <p>Scenes</p> <ul style="list-style-type: none"> memorisation and activation of 8 scenes (value 0 - 63) <p>Hourly profiles</p> <ul style="list-style-type: none"> up to 12 hourly profiles: 2 for use as a timed thermostat and 10 for use as an hourly programmer <p>Other functions</p> <ul style="list-style-type: none"> setting of set point (OFF, ECONOMY, PRECOMFORT, COMFORT, AUTO) from BUS setting of type (heating/cooling) from BUS setting of date and time from BUS transmission of date and time on BUS status information (mode, type) and temperature measurement transmitted on BUS management of status information deriving from the commanded actuator management of the windows status signalling for temporarily switching off the timed thermostat auxiliary input for fronts management, brief/prolonged operation, dimmer with single pushbutton, roller shutters with single push-button, scenes and window contact auxiliary output for controlling the timed thermostat solenoid valve for heating/cooling or used as a general output for executing On/Off commands, timed commands, priority commands and scene management

Detailed information on the application programmes and installation modes is available in the Technical Manual and the product instructions booklet.

NOTE: the device does not have a built-in humidity sensor, so the relative humidity value must be obtained from an external KNX sensor (eg: GW 1x 762 H).



GW 10 794 H - GW 12 794 H - GW 14 794 H

Reference standards:
 Low Voltage Directive 2006/95/EC
 Electromagnetic Compatibility Directive
 2004/108/EC, EN50428, EN50090-2-2

- 1. Input for external temperature sensor
- 2. Auxiliary input for potential-free contact
- 3. Common for inputs
- 4. NO output
- 5. NC output
- 6. Common for outputs
- 7. LED for programming physical address
- 8. Button key for programming physical address
- 9. Bus terminal
- 10. Fixing screw
- 11. Light intensity sensor

with external temperature probe sensor

with potential-free contact

TECHNICAL DATA	
Power supply	Via KNX bus 29 V dc SELV
Backup power supply	2 alkaline batteries 1.5V AAA (to be hosted in the removable part) for updating date/time in the event of an interruption in the BUS voltage
Current absorbed by BUS	10mA
Control elements	1 miniature button key for programming physical address 4 frontal push-buttons
Display elements	RGB color display with light intensity sensor for backlight regulation 1 red LED for programming physical address
Output contacts	1 NA/NC 5A (cosφ=1) 250V ac Incandescent and halogen lamps (230V ac): 500W Halogen lamps commanded by electronic transformers: 100W Halogen lamps commanded by ferromagnetic transformers: 200VA Compact fluorescent lamps: 3x23W Motors and gear motors: 100W For all loads not indicated here, you are advised to use a support relay
Inputs	1 input for potential-free contact (max. cable length 10m) 1 input for external temperature probe sensor (e.g. GW 10 800 - type NTC 10K)
Operating temperature	-5 ÷ +45 °C
Dimensions	3 Chorus modules
Connection to the BUS	Coupling terminal, 2 pins Ø 1mm

KNX thermostat - flush-mounting

The KNX flush-mounting thermostat with humidity management is used to manage a humidification/dehumidification system alongside a temperature adjustment system, or to interact with the temperature adjustment system and the causes of humidity formation. The temperature and humidity are adjusted by commanding - on a KNX BUS - the KNX actuators that control the heating or cooling elements, including the fan coils and the humidification/dehumidification elements. The thermostat can work in "autonomous" control mode, to autonomously manage the temperature adjustment system (or parts of it); when combined with the KNX flush-mounting timed thermostat (GW 10 794 H - GW 12 794 H - GW 14 794 H), it can work in "Slave" control mode to create multi-area temperature adjustment systems. The thermostat allows you to visualise and independently modify the operating parameters of up to 4 KNX flush-mounting temperature adjustment probes (GW 10 799 - GW 12 799 - GW 14 799 - GW 10 799 H - GW 12 799 H - GW 14 799 H). The device is configured with the ETS software to implement the functions shown in the table.

MAIN FUNCTIONS	
<p>Temperature control</p> <p>with 2 points, with ON/OFF commands or continuous adjustment (0% - 100%)</p> <p>PI control with PWM commands or continuous adjustment (0% - 100%)</p> <p>Control of fan coil speed</p> <p>with distinct speed selection commands (ON/OFF)</p> <p>with continuous adjustment (0% - 100%)</p> <p>Operating mode setting</p> <p>from BUS, with distinct objects of 1 bit (OFF, ECONOMY, PRECOMFORT, COMFORT)</p> <p>from BUS with objects of 1 byte</p> <p>Operating setpoint setting</p> <p>from BUS with objects of 2 byte</p> <p>Temperature measurement</p> <p>with built-in sensor</p> <p>combined built-in sensor/KNX temperature adjustment probe/external temperature sensor with definition of the relative weight</p> <p>calculation of the dew temperature</p> <p>setting of 1 threshold associated with the dew point temperature, with BUS commands sent when the threshold is exceeded and restored</p> <p>Measuring relative humidity</p> <p>relative humidity measurement received from an external KNX sensor</p> <p>estimate of relative humidity in the point where the thermostat is installed</p> <p>setting of up to 5 relative humidity thresholds, with BUS commands sent when the threshold is exceeded and restored</p> <p>calculation of specific humidity</p> <p>indication of the thermal well-being status</p>	<p>Underfloor probe</p> <p>setting of threshold value for floor temperature alarm</p> <p>Temperature control for specific zones</p> <p>(in slave mode): with the operating mode received by the master device, and the use of a local setpoint</p> <p>(in slave mode): with the setpoint value received by the master device and differential value for local temperature</p> <p>(in autonomous mode): with local selection of operating mode and setpoints</p> <p>(in autonomous mode): with local selection of operating setpoint</p> <p>Scenes</p> <p>memorisation and activation of 8 scenes (value 0 - 63)</p> <p>Other functions</p> <p>setting of set point (OFF, ECONOMY, PRECOMFORT, COMFORT) from BUS</p> <p>setting of type (heating/cooling) from BUS</p> <p>setting of date and time from BUS</p> <p>status information (mode, type) and temperature measurement transmitted on BUS</p> <p>management of status information deriving from the commanded actuator</p> <p>management of the windows status signalling for temporarily switching off the thermostat</p> <p>auxiliary input for fronts management, brief/prolonged operation, dimmer with single pushbutton, roller shutters with single push-button, scenes and window contact</p> <p>auxiliary output for controlling the thermostat solenoid valve for heating/cooling or used as a general output for executing On/Off commands, timed commands, priority commands and scene management</p>

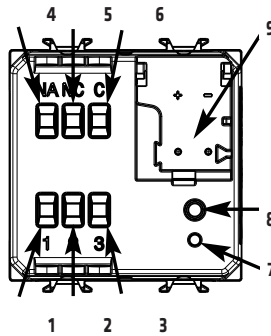
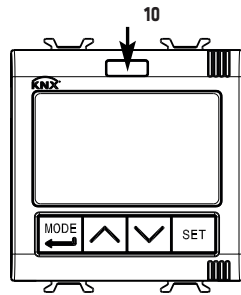
Detailed information on the application programmes and installation modes is available in the Technical Manual and the product instructions booklet.

NOTE: the device does not have a built-in humidity sensor, so the relative humidity value must be obtained from an external KNX sensor (eg: GW 1x 762 H).

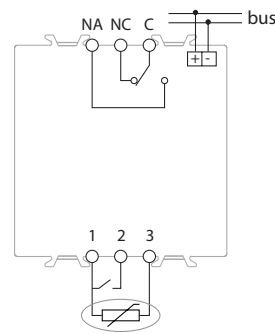


GW 10 795 H - GW 12 795 H - GW 14 795 H

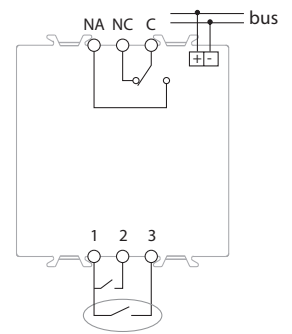
Reference standards:
 Low Voltage Directive 2006/95/EC
 Electromagnetic Compatibility Directive
 2004/108/EC, EN50428, EN50090-2-2



- 1. Common for inputs
- 2. Auxiliary input for potential-free contact
- 3. Input for external temperature sensor
- 4. NO output
- 5. NC output
- 6. Common for outputs
- 7. LED for programming physical address
- 8. Button key for programming physical address
- 9. Bus terminals
- 10. Light intensity sensor



with external temperature probe sensor



with potential-free contact

TECHNICAL DATA

Power supply	Via KNX bus 29V dc SELV
Current absorbed by BUS	10mA
Control elements	1 miniature button key for programming physical address 4 frontal push-buttons
Display elements	RGB color display with light intensity sensor for backlight regulation 1 red LED for programming physical address
Output contacts	1 NA/NC 5A (cosφ=1) 250V ac Incandescent and halogen lamps (230V ac): 500W Halogen lamps commanded by electronic transformers: 100W Halogen lamps commanded by ferromagnetic transformers: 200VA Compact fluorescent lamps: 3x23W Motors and gear motors: 100W For all loads not indicated here, you are advised to use a support relay
Inputs	1 input for potential-free contact (max. cable length 10m) 1 input for external temperature probe sensor (e.g. GW 10 800 - type NTC 10K)
Operating temperature	-5 ÷ +45 °C
Dimensions	2 Chorus modules
Connection to the BUS	Coupling terminal, 2 pins

KNX temperature sensor - flush mounting

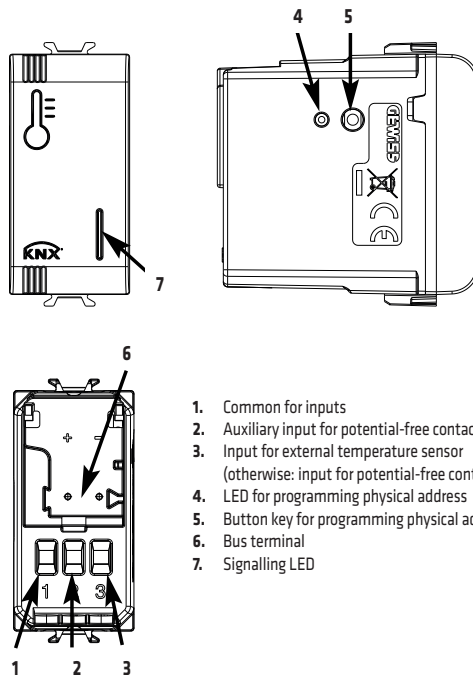
The KNX flush-mounting temperature sensor is used, with the aid of a KNX timed thermostat (GW 10 794 H - GW 12 794 H - GW 14 794 H) or a KNX thermostat (GW 10 795 H - GW 12 795 H - GW 14 795 H), to manage the temperature of the environment where it is installed (or of another environment when used with an external temperature probe sensor). The sensor is not equipped with its own visualisation and command elements, so it must be used with a KNX device (e.g. a KNX thermostat or a KNX timed thermostat) that can control its parameters (HVAC or Setpoint mode and operating type). The device is configured with the ETS software to implement the functions shown in the table.

MAIN FUNCTIONS	
Temperature control with 2 points, with ON/OFF commands or continuous adjustment (0% - 100%) PI control with PWM commands or continuous adjustment (0% - 100%)	Underfloor probe setting of threshold value for floor temperature alarm
Control of fan coil speed with distinct speed selection commands (ON/OFF) with continuous adjustment (0% - 100%)	Temperature control for specific zones with the operating mode received by the master device, and the use of a local setpoint with the setpoint value received by the master device and differential value for local temperature
Operating mode setting from BUS, with distinct objects of 1 bit (OFF, ECONOMY, PRECOMFORT, COMFORT) from BUS with objects of 1 byte	Scenes memorisation and activation of 8 scenes (value 0 - 63)
Operating setpoint setting from BUS with objects of 2 byte	Other functions setting of set point (OFF, ECONOMY, PRECOMFORT, COMFORT) from BUS setting of type (heating/cooling) from BUS
Temperature measurement with built-in sensor, with KNX temperature sensor or with temperature probe sensor mixed, with definition of relative weight	status information (mode, type), measured temperature and current setpoint on the BUS auxiliary input for fronts management, brief/prolonged operation, dimmer with single pushbutton, roller shutters with single push-button, scenes and window contact

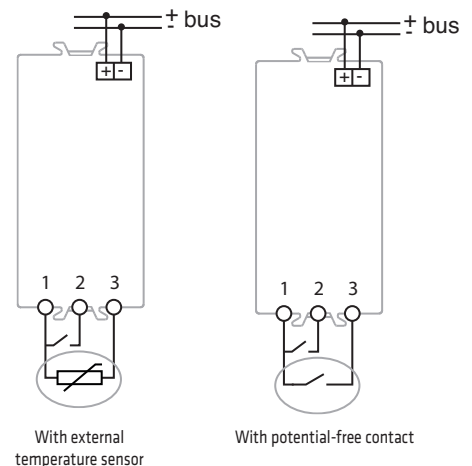
Detailed information on the application programmes and installation modes is available in the Technical Manual and the product instructions booklet.



GW 10 799 - GW 12 799 - GW 14 799



1. Common for inputs
2. Auxiliary input for potential-free contact
3. Input for external temperature sensor (otherwise: input for potential-free contact)
4. LED for programming physical address
5. Button key for programming physical address
6. Bus terminal
7. Signalling LED



Reference standards:
 Low Voltage Directive 2006/95/EC
 Electromagnetic Compatibility Directive 2004/108/EC, EN50428, EN50090-2-2

MAIN FUNCTIONS	
Power supply	Via KNX bus 29V dc SELV
Current absorbed by BUS	5mA
Control elements	1 miniature button key for programming physical address
Display elements	1 frontal LED for signalling 1 red LED for programming physical address
Inputs	1 input for potential-free contact (max. cable length 10m) 1 input for external temperature probe sensor (e.g. GW 10 800 - type NTC 10K)
Operating temperature	-5 ÷ +45 °C
Dimensions	1 Chorus module
Connection to the BUS	Coupling terminal, 2 pins Ø 1mm

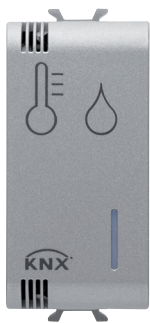
For technical information contact the Technical Assistance Service or visit gewiss.com

KNX temperature/humidity sensor - flush mounting

The KNX flush-mounting temperature sensor with integrated temperature/humidity sensor is used, with the aid of a KNX timed thermostat (GW 10 794 H - GW 12 794 H - GW 14 794 H) or a KNX thermostat (GW 10 795 H - GW 12 795 H - GW 14 795 H), to manage the temperature of the environment where it is installed (or of another environment when used with an external temperature/humidity sensor). The device is not equipped with its own visualisation and command elements, so it must be used with a KNX device (e.g. a KNX thermostat or a KNX timed thermostat) that can control its parameters (HVAC or Setpoint mode and operating type). The device is configured with the ETS software to implement the functions shown in the table.

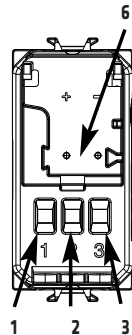
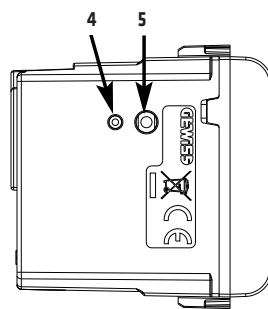
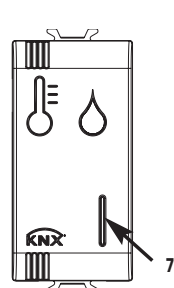
MAIN FUNCTIONS	
Temperature control with 2 points, with ON/OFF commands or continuous adjustment (0% - 100%) PI control with PWM commands or continuous adjustment (0% - 100%)	with the setpoint value received by the master device and differential value for local temperature
Control of fan coil speed with distinct speed selection commands (ON/OFF) with continuous adjustment (0% - 100%)	Scenes memorisation and activation of 8 scenes (value 0 - 63)
Operating mode setting from BUS, with distinct objects of 1 bit (OFF, ECONOMY, PRECOMFORT, COMFORT) from BUS with objects of 1 byte	Measuring relative humidity with a built-in sensor mixed built-in sensor / external humidity sensor with definition of the relative weight setting of up to 5 relative humidity thresholds, with BUS commands sent when the threshold is exceeded and restored
Operating setpoint setting from BUS with objects of 2 byte	estimate of relative humidity in the cold point, on the basis of the additional temperature measurement
Temperature measurement with built-in sensor, mixed built-in sensor / KNX temperature adjustment sensor / external temperature probe sensor with definition of the relative weight	calculation of the dew temperature
Underfloor probe setting of threshold value for floor temperature alarm	Other functions setting of set point (OFF, ECONOMY, PRECOMFORT, COMFORT) from BUS setting of type (heating/cooling) from BUS
Temperature control for specific zones with the operating mode received by the master device, and the use of a local setpoint	status information (mode, type), measured temperature and current setpoint on the BUS auxiliary input for fronts management, brief/prolonged operation, dimmer with single pushbutton, roller shutters with single push-button, scenes and window contact

Detailed information on the application programmes and installation modes is available in the Technical Manual and the product instructions booklet.

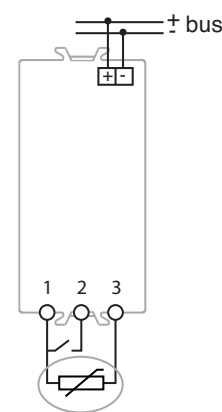


GW 10 799 H - GW 12 799 H - GW 14 799 H

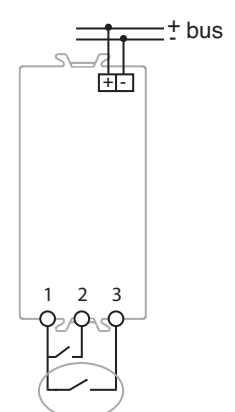
Reference standards:
 Low Voltage Directive 2006/95/EC
 Electromagnetic Compatibility Directive 2004/108/EC, EN50428, EN50090-2-2



1. Common for inputs
2. Auxiliary input for potential-free contact
3. Input for external temperature sensor (otherwise: input for potential-free contact)
4. LED for programming physical address
5. Button key for programming physical address
6. Bus terminal
7. Signalling LED



With external temperature sensor



With potential-free contact

MAIN FUNCTIONS	
Power supply	Via KNX bus 29V dc SELV
Current absorbed by BUS	5mA
Control elements	1 miniature button key for programming physical address
Display elements	1 frontal LED for signalling 1 red LED for programming physical address
Inputs	1 input for potential-free contact (max. cable length 10m) 1 input for external temperature probe sensor (e.g. GW 10 800 - type NTC 10K)
Operating temperature	-5 ÷ +45 °C
Dimensions	1 Chorus module
Connection to the BUS	Coupling terminal, 2 pins Ø 1mm

For technical information contact the Technical Assistance Service or visit gewiss.com

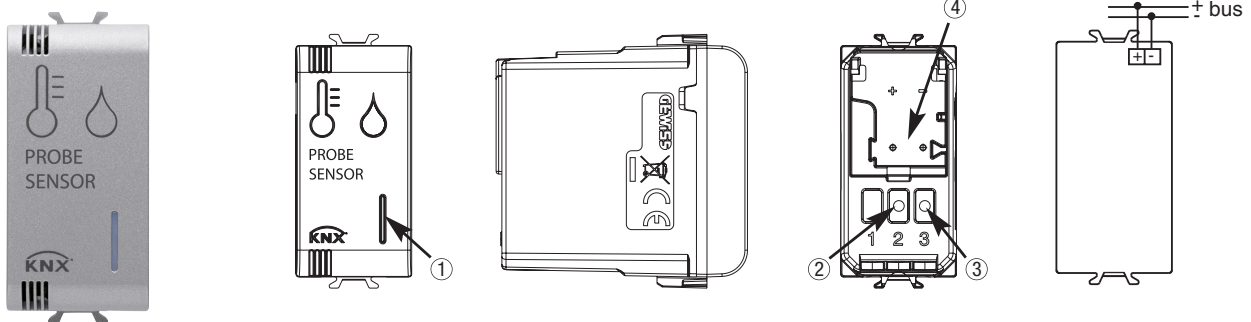
KNX/Easy temperature/humidity sensor - flush mounting

With the KNX/Easy flush-mounting temperature/humidity probe sensor with integrated temperature and humidity sensor, the temperature and humidity figures of the room where it is installed can be measured and sent by BUS.

The device offers:

- temperature detection (measured, maximum, minimum);
- 4 temperature thresholds;
- calculation of the dew temperature;
- relative humidity detection (measured, maximum, minimum);
- 4 relative humidity thresholds;
- calculation of specific humidity;
- indication of the thermal well-being status.

The sensor is powered from the bus line. It has a front signalling LED and can be configured with both ETS and Easy Controller sw.



GW 10 762 H - GW 12 762 H - GW 14 762 H

Reference standards:
 Low Voltage Directive 2006/95/CE
 Electromagnetic Compatibility Directive
 2004/108/CE, EN50090-2-2, EN50428

1. Signalling LED
2. LED for programming physical address
3. Button key for programming physical address
4. Bus terminal

TECHNICAL DATA	
Power supply	Via KNX BUS 29V dc SELV
Current absorbed by BUS	10mA max
Control elements	1 miniature button key for programming physical address
Display elements	1 signalling LED 1 red LED for programming physical address
Measuring elements	Temperature - Measurement range: 0 °C ...+45 °C Relative humidity - Measurement range: 10-95%
Operating temperature	-5 ÷ +45 °C
Dimensions	1 Chorus module
Connection to the BUS	Coupling terminal, 2 pins Ø 1mm

For technical information contact the Technical Assistance Service or visit gewiss.com

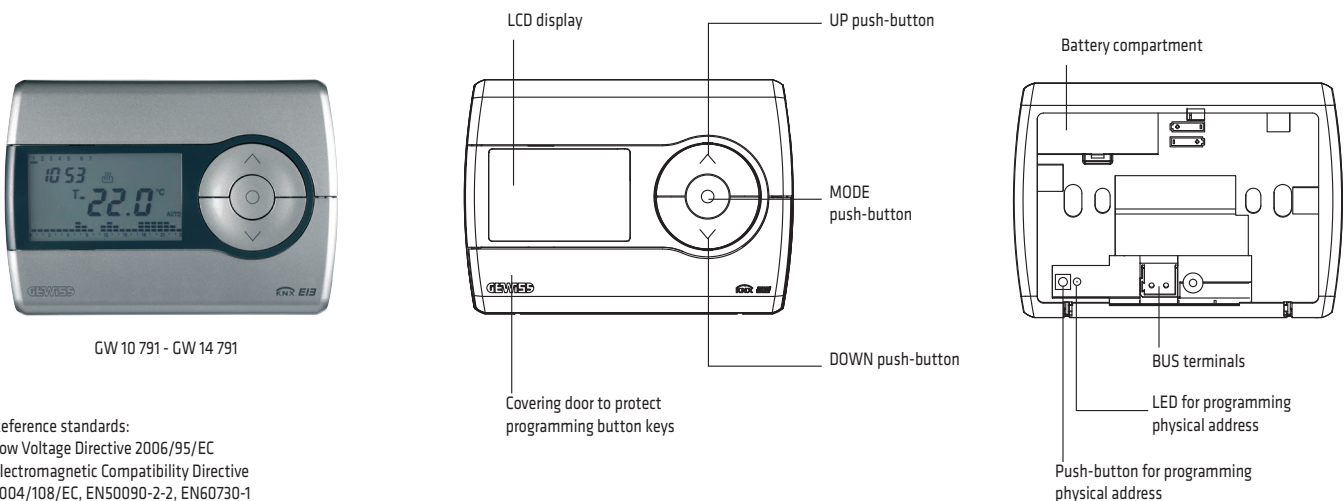
KNX timed thermostat - wall-mounting

The KNX timed thermostat allows the automatic management (on a weekly basis) of the temperature profile within the installation area.

Via the KNX BUS, it manages the command of actuators, to control the heating/cooling elements connected to the Building Automation system. In addition, combined with the KNX thermostats (GW 10 793, GW 14 793), it can be used as a master to adjust the temperature in specific zones. The device is configured with the ETS software to implement the functions shown in the table:

MAIN FUNCTIONS	
Temperature control with 2 points, with ON/OFF commands or continuous adjustment (0% - 100%) PI control with PWM commands or continuous adjustment (0% - 100%)	Scenes memorisation and activation of 8 scenes (value 0 - 63)
Setting the operating mode from BUS, with distinct objects of 1 bit (OFF, ECONOMY, PRECOMFORT, COMFORT, AUTO) from BUS with objects of 1 byte	Other functions setting of set point (OFF, ECONOMY, PRECOMFORT, COMFORT, AUTO) from BUS setting of type (heating/cooling) from BUS setting of date and time from BUS
Temperature measurement with built-in sensor or temperature probe mixed, with definition of relative weight	transmission of date and time on BUS towards Slave thermostats status information (mode, type) and temperature measurement transmitted on BUS management of status information deriving from the commanded actuator
Temperature control for specific zones with transmission of operational mode towards Slave thermostats with transmission of set point towards Slave thermostats	

Detailed information on the application programmes and installation modes is available in the Technical Manual and the product instructions booklet.



Reference standards:
 Low Voltage Directive 2006/95/EC
 Electromagnetic Compatibility Directive
 2004/108/EC, EN50090-2-2, EN60730-1

TECHNICAL DATA	
Power supply	Via KNX BUS 29V DC SELV
Backup power supply	2 alkaline batteries (1.5V AAA) for updating date/time in the event of an interruption in the BUS voltage
Current absorbed by BUS	5mA
Control elements	1 miniature button key for programming physical address 10 push-buttons for command and configuration
Display elements	LCD backlit display with LED 1 red LED for programming physical address
Operating temperature	-5 to +45°C
Dimensions (LxHxD)	130 x 92 x 23mm
Connection to the BUS	Coupling terminal, 2 pins Ø 1mm

For technical information contact the Technical Assistance Service or visit gewiss.com

KNX thermostat - wall-mounting

The KNX surface-mounting thermostat allows you to manage (via KNX BUS) the temperature adjustment systems via the commanding of actuators connected to the Building Automation system, to control fan coils or heating/cooling elements. Apart from the stand-alone thermostat function, the device can be combined with a KNX timed thermostat (GW 10 791, GW 14 791), acting as a Slave, to control the temperature in specific zones.

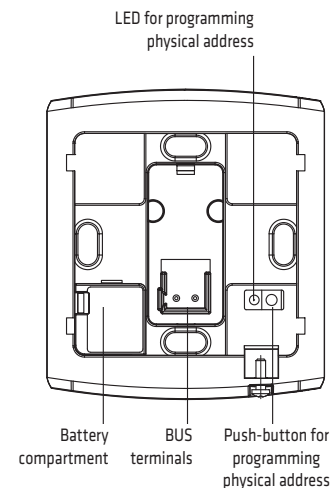
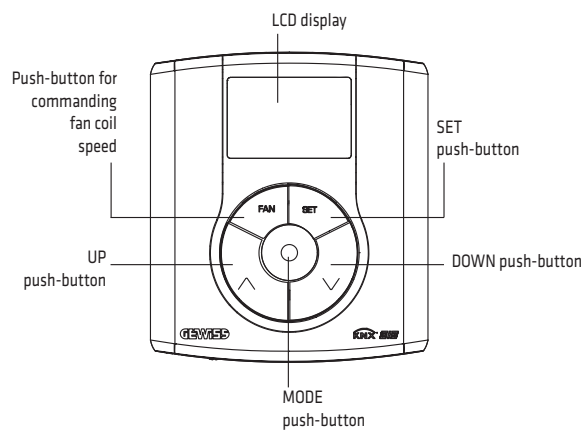
The device is configured with the ETS software to implement the functions shown in the table:

MAIN FUNCTIONS	
Temperature control with 2 points, with ON/OFF commands or continuous adjustment (0% - 100%) PI with PWM commands or continuous adjustment (0% - 100%)	Temperature control for specific zones with operational mode received from the master timed thermostat and use of local set point with set point received from the master timed thermostat and residual current device for local temperature residual current device for temperature can be parameterised and set via BUS
Control of fan coil speed with distinct speed selection commands (ON/OFF) with continuous adjustment (0% - 100%)	Scenes memorisation and activation of 8 scenes (value 0 - 63)
Setting the operating mode from BUS, with distinct objects of 1 bit (OFF, ECONOMY, PRECOMFORT, COMFORT, AUTO) from BUS with objects of 1 byte	Other functions setting of set point (OFF, ECONOMY, PRECOMFORT, COMFORT) from BUS setting of type (heating/cooling) from BUS setting of date and time from BUS
Temperature measurement with built-in sensor or temperature probe mixed, with definition of relative weight	status information (mode, type) and temperature measurement transmitted on BUS management of status information deriving from the commanded actuator

Detailed information on the application programmes and installation modes is available in the Technical Manual and the product instructions booklet.



GW 10 793 - GW 14 793



Reference standards:
 Low Voltage Directive 2006/95/EC
 Electromagnetic Compatibility Directive
 2004/108/EC, EN50090-2-2, EN60730-1

TECHNICAL DATA	
Power supply	Via KNX BUS 29V DC SELV
Backup power supply	Rechargeable battery (type ML1220 - 3V) for updating date/time in the event of an interruption in the BUS voltage
Current absorbed by BUS	5mA
Control elements	1 miniature button key for programming physical address 5 push-buttons for command and configuration
Display elements	LCD backlit display with LED 1 red LED for programming physical address
Operating temperature	-5 to +45°C
Dimensions (LxD)	85 x 95 x 23mm
Connection to the BUS	Coupling terminal, 2 pins Ø 1mm

KNX/Easy Thermo ICE thermostats - flush mounting

The KNX/Easy ICE thermostat - flush mounting with humidity control is used to manage a humidification/dehumidification system in parallel to a temperature adjustment system or to act on the temperature adjustment system in order to intervene on the causes of the formation of humidity. The temperature and humidity are adjusted by commanding - on a KNX BUS - the KNX actuators that control the heating or cooling elements (including the fan coils), and the umidification/dehumidification elements.

The thermostat can operate in "stand alone" control mode to autonomously manage the temperature adjustment system (or parts of it), whereas in combination with a master device (e.g.: a KNX timed thermostat) it is possible to operate in "slave" control mode and implement multizone temperature adjustment systems.

The device manages the temperature on three levels (Teconomy, Tprecomfort, Tcomfort) with 4 operating modes (OFF / ECONOMY / PRECOMFORT / COMFORT), both in heating and cooling. Locally or via bus it is possible to select 2 control stages: single stage with 2 points (ON/OFF command or 0%/100%), proportional PI (PWM type control or continuous) or fan coil (max. 3 speeds); dual stage with 2 points (ON/OFF command or 0%/100%). Includes 1 input for a potential-free contact (for the window contact function, or as a general input with command function on the bus) and 1 input for the external temperature NTC probe sensor (e.g. protection for floor-mounting heating) or, alternatively, as a second input for a potential-free contact.

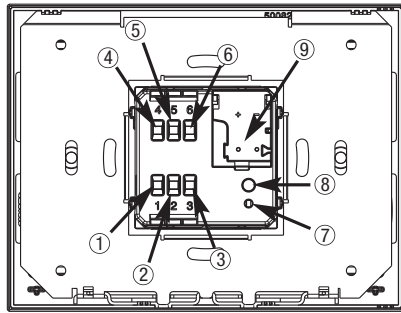
The thermostat is equipped with a white LED backlit display with sensitive rear-projected areas on a glass plate. The device requires an external AC/DC power supply 12-24V and has an integrated sensor for detecting the room temperature (whose value is sent on the bus with a frequency that can be parameterised or following a temperature change) and a proximity sensor for activating back-lighting when a user approaches the device. The thermostat can be configured with ETS or Easy Controller sw.

Reference standards:
 Low Voltage Directive 2006/95/EC
 Electromagnetic Compatibility Directive
 2004/108/EC, EN50428, EN50090-2-2

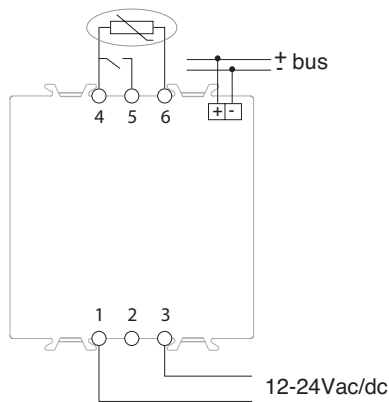


GW 16 974 CB - GW 16 974 CN - GW 16 974 CT

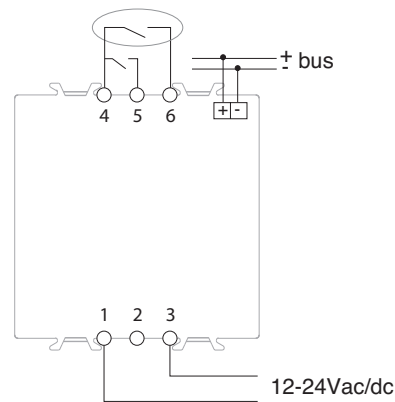
NOTE: the device does not have a built-in humidity sensor, so the relative humidity value must be obtained from an external KNX sensor (eg: GW 1x 762 H).



- 1 - AC/DC power supply 12-24V
- 2 - Not used
- 3 - AC/DC power supply 12-24V
- 4 - Common wire for inputs
- 5 - Auxiliary input for potential-free contact
- 6 - Input for external temperature probe sensor (alternatively: auxiliary input for potential-free contact)
- 7 - LED for programming physical address
- 8 - Button key for programming physical address
- 9 - Bus terminals



With external temperature probe sensor



With potential-free contact

TECHNICAL DATA

Power supply	12-24Vac/dc - max. 500mA Via KNX BUS 29V dc SELV
Current absorbed by BUS	10mA
Control elements	3 touch buttons 1 circular touch slider 1 button key for programming physical address
Display elements	LED backlit display 1 red LED for programming physical address
Inputs	1 input for window contact function or as potential-free contact (cable length max. 10m) 1 input for temperature external sensor (es: GW 10 800), type NTC 10K or as potential-free contact
Measuring elements	1 integrated temperature sensor
Temperature adjustment range	+5 ÷ +40°C
Dimension of glass plate (BxHxP)	123x95x11 mm
Mounting	In 3-gang rectangular, square or round flush-mounting boxes
Fixing support	In metal (included)
Connection to the BUS	Coupling terminal, 2 pins Ø 1mm

ENERGY CONTROL

KNX interface for energy meters - from DIN rail

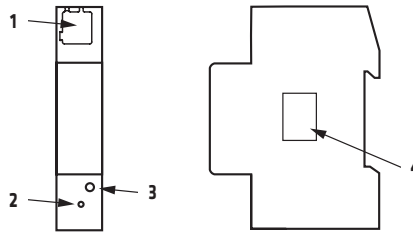
The GW90876 KNX interface allows you to send (via KNX BUS) the energy and power measurements taken by the single-phase GW D6 801 and three-phase energy meters GW D6 806, GW D6 808. The KNX interface is coupled with the measuring devices via an optical interface (IR port).

The functions available with the energy meters are:

- the transmission of values relating to active energy imported and exported (Wh or kWh),
- the transmission of the active power value (W),
- the transmission of values relating to reactive energy imported and exported (for three-phase meters only)
- the transmission of the reactive power value (for three-phase meters only)
- the transmission of status bytes,
- the reset of the energy meters.



GW 90 876



GW 90 876 + GW D6 801

Reference standards:
EN60664-1, EN50090-2-2, EN61000-6-2,
EN61000-6-3, EN61000-4-2

1. KNX terminal
2. Button key for programming
3. Red LED for programming
4. IR port

TECHNICAL DATA	
Power supply	Via KNX BUS 29V DC SELV
Type of interface	2 IR optical ports (Tx, Rx)
Operating temperature	0 - 55°C
Dimensions	1 DIN module
Connection to the BUS	Coupling terminal, 2 pins Ø1mm

SPECIAL APPLICATIONS

Access/service control system

The access/service control is a system based on the KNX BUS Standard, able to regulate the access to rooms/areas in the hotel field, domestic sector (communal parts of blocks of flats, garages, etc.) and commercial sector (offices, classrooms, etc.), via the use of suitably programmed transponder cards.

The system consists of the following elements:

- Transponder reading unit
- Transponder holder unit
- Transponder programming unit
- Transponder card
- GW Hotel software package
- GW Access software package

The transponder programming unit, connected to a service PC via USB port, allows you to configure the transponder cards by means of the access management software GW Hotel/GW Access, assigning the access rights.

The transponder cards are extremely safe and reliable as each one memorises a unique code chosen from billions of combinations; these are based on RFID technology and do not require the use of batteries, so do not require any maintenance.

The card is recognised by placing it at least 3cm from the transponder reading unit. The latter also incorporates two relays for activating systems or electrical services, such as electro-locks, courtesy lights, etc.

A further device, called a transponder holder unit, has a housing for transponder cards, allowing their recognition for notification of the presence at supervision level (e.g. reception). This unit also incorporates two relays for activating systems or electrical services. The transponder reading unit and transponder holder unit are equipped with built-in relay contacts for commanding low capacity electrical services. To activate heavier loads, you are advised to use electro-mechanical support relays or KNX actuators.

CHARACTERISTICS	ADVANTAGES
Allows access to reserved rooms (hotel rooms, offices, archives, etc.) only for authorised personnel with the special transponder card	Advanced, dynamic management of access
A single transponder card can be programmed to enable access to several rooms	Each transponder card replaces a number of conventional keys
Devices connected via KNX BUS	A single BUS cable to connect all the devices

Reference standards:
 Electrical safety EN50090, IEC664-1
 Electromagnetic Compatibility Directive
 EN61000-6-3, EN61000-6-1, EN50090-2-2



GW 10 681 - GW 12 681 - GW 14 681
Transponder reading unit



GW 10 682 - GW 12 682 - GW 14 682
Transponder holder unit

TECHNICAL DATA	
Reader	For transponder cards 86x54mm
Power supply	12-24V AC 50/60Hz; 12-24V DC; max. 150mA (with self-restoring fuse)
BUS draw	5mA
Digital outputs	2 relays; contacts 1NO 2A cos φ 0.6, 24V AC/DC, programmable with ETS
Digital inputs	3 inputs for potential-free contacts (max. cable length 10m)
Function	Recognises the transponder cards and closes the contacts of the relay commanding the electro-lock
Signalling	LED1 (two-colour): access valid (green) or refused (red); LED2 (green): programmable with ETS; LED3 (red): programmable with ETS; LED4 (green): programmable with ETS
Connection to the BUS	Coupling terminal, 2 pins \varnothing 1mm

TECHNICAL DATA	
Reader	For transponder cards 86x54mm
Power supply	12-24V AC 50/60Hz; 12-24V DC; max. 150mA (with self-restoring fuse)
BUS draw	5mA
Digital outputs	2 relays; contacts 1NO 2A cos φ 0.6, 24V AC/DC, programmable with ETS
Digital inputs	3 inputs for potential-free contacts (max. cable length 10m)
Function	Recognises the transponder cards with the functions activated, and closes the relay contacts commanding the system or the electrical service
Connection to the BUS	Coupling terminal, 2 pins \varnothing 1mm



GW 10 683 - GW 12 683 - GW 14 683
Transponder programming unit

TECHNICAL DATA	
Programmer	For transponder cards 86x54mm
Power supply	From USB port (5V, 180mA)
Function	Configure the transponder cards, assigning the access levels



GW 10 684
Transponder card

TECHNICAL DATA	
Dimensions	86 x 54mm
Technology	Passive transponder operating on wireless basis at 125 KHz
Programming	Programmable via transponder programming unit
Transponder function	The same card can be enabled for several reading units.

The GW Hotel and GW Access software packages are designed to dialogue with KNX Standard devices for hotel automation and access control. They are based on a Client-Server logic, and can accessed remotely via the Internet or via Ethernet. User recognition occurs via a special hardware key, thanks to which it is possible to pass from a standard package to a higher level by means of a simple release code. In one single system, the supervision of all the critical areas of a building is guaranteed with the use of KNX devices able to control every function: from lighting to temperature adjustment, from the control of technological systems to the recognition of user transit. The graphic interface can be fully personalised: from the logo on the main bar to the colours of the user interface.



GW 10 691 - GW 10 692
GW 10 693 - GW 10 694
GW Hotel

TECHNICAL DATA	
Characteristics	Suitable for managing access in hotel structures. Software package developed to dialogue with standard devices on KNX BUS
Versions	GW 10 691 - GW Hotel Basic For hotels with up to 75 rooms. Management of 2 password levels GW 10 692 - GW Hotel Intermediate For hotels with up to 150 rooms. Management of 5 password levels GW 10 693 - GW Hotel Advanced For large hotels with more than 150 rooms. Management of 7 password levels
Remote management	GW 10 694 - GW Hotel Client

NOTES: the various password levels indicate the number of access levels for front desk operators.

The software includes a user licence and hardware key. GW Hotel Basic must be installed on a single PC; GW Hotel Intermediate and Advanced can be installed on a server that guarantees access via the client PC (one for each licence). GW Hotel Client allows you to increase the number of user licences.

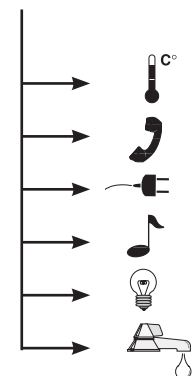
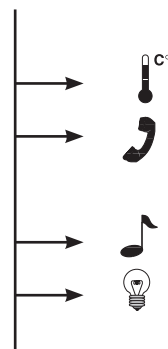
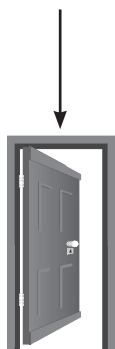
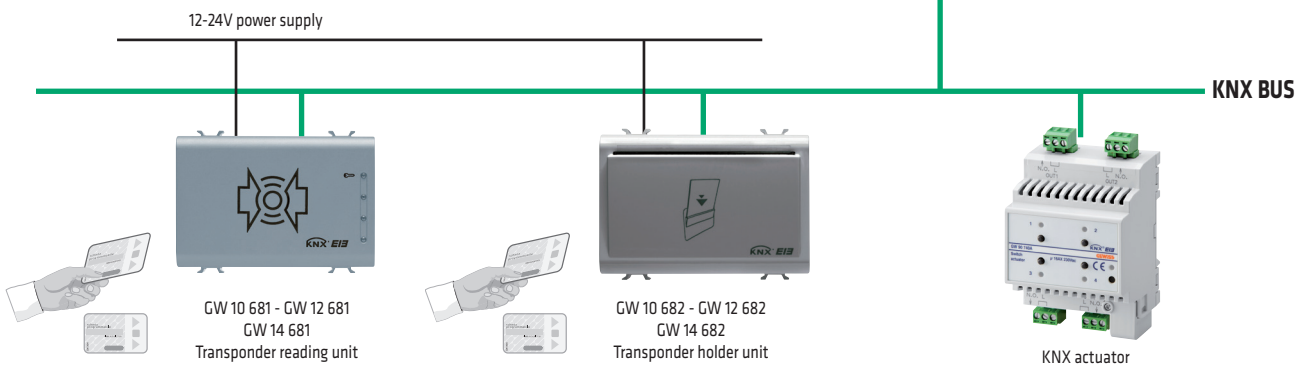
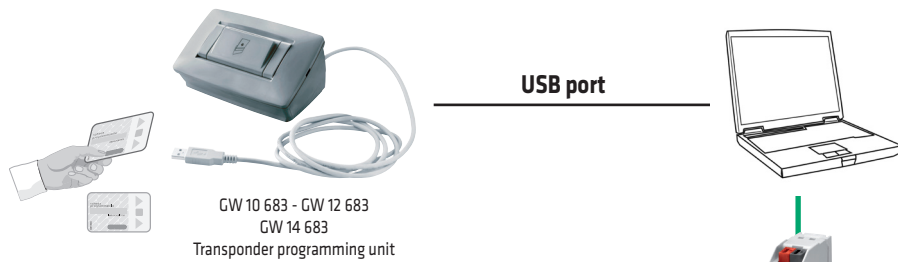
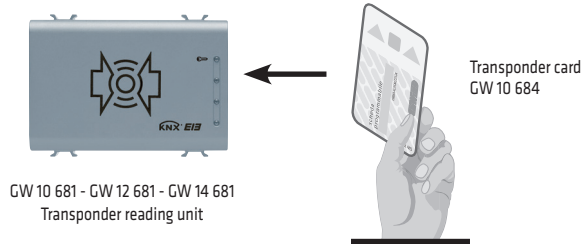


GW 10 695 - GW 10 696 - GW 10 697
GW Access

TECHNICAL DATA	
Characteristics	Suitable for managing access in selected areas and in programmed time bands. Software package developed to dialogue with standard devices on KNX BUS
Versions	GW 10 695 - GW Access Basic For managing up to 50 areas. Management of 2 password levels GW 10 696 - GW Access Advanced For managing large buildings with more than 50 areas. Management of 7 password levels
Remote management	GW 10 697 - GW Access Client

NOTES: the various password levels indicate the number of access levels for front desk operators.

The software includes a user licence and hardware key. GW Access Basic must be installed on a single PC; GW Access Advanced can be installed on a server that guarantees access via the client PC (one for each licence). GW Access Client allows you to increase the number of user licences.

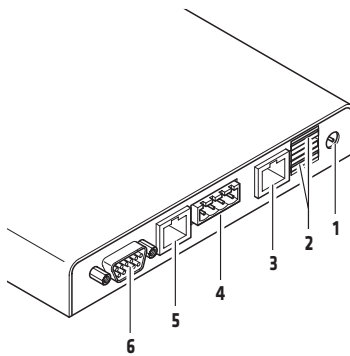


Internet Gateway

The Internet Gateway allows the control and supervision of the KNX Home/Building Automation system, and the management of the burglar alarm (from a distance, via the Internet, or via a local LAN network, using a PC with a common browser). The user interface, based on a web server architecture, offers a high level of page personalisation, allowing the positioning of the symbols or icons representing the devices directly on plans or graphic maps. The configuration and personalisation functions of the entire system are totally integrated in the software, which offers the possibility to directly import the ETS project of the KNX system and to group together both communication subjects relating to environment devices, and hierarchically-organised functional sub-systems. Access to the various functions can be differentiated according to the rights assigned to each operator.



GW 90 816



The software allows the definition and management of:

- operations and alarms to which actions, logical operations, local (or e-mail) notifications can be associated;
- sequence scenes with parameterisation of the time intervals between one command and the next;
- timed planning (hourly, daily, weekly, monthly);
- timed planning dedicated to temperature adjustment.

The device is equipped with an interface for connection with the KNX BUS. Free-standing installation.

1. Power supply connector
2. USB ports
3. LAN 1 port
4. KNX connector
5. LAN 2 port
6. RS232 (reserved for future uses)

TECHNICAL DATA	
Power supply voltage	12V DC (from the plug power supply unit included)
Absorbed power	5W
Current absorbed by BUS	1.5mA
Operating system	Linux
Interfaces	2 RJ45 ports (Ethernet network 10/100 Mbit/s) 2 USB ports 2.0
Operating temperature	-5 to 45°C
Dimensions	158 x 28 x 158mm
RAM	256 Mbyte

Dimension tables

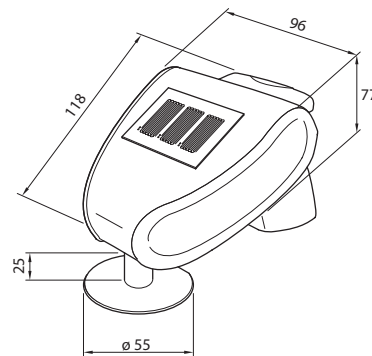
INTERNET GATEWAY
GW 90 816

WEATHER SENSORS

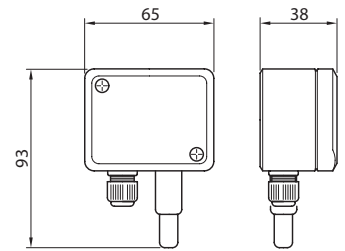
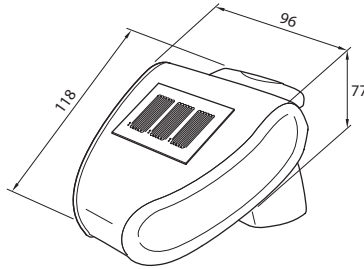
WEATHER STATION	
	GW 90 800
Power supply	24V AC/DC, max. 100mA (e.g. GW 96 322)
Current absorbed by BUS	max. 8mA
Assembly	Wall / pole
Protection	IP44
Characteristics of built-in sensors	
	Heater: approx. 1.2W
	Measurement range: from -40°C to +80°C
	Measurement range: from 0 lux to 150000 lux
	Measurement range: from 0 m/s to 70 m/s
	The station is also equipped with a GPS receiver to determine the position, date and time
Main functions	Actions are executed on the basis of logic operations between the measured values. Cyclical monitoring of sensor parameters, with the sending of the values to the BUS. Possibility to control complex systems (e.g. greenhouses).
Dimensions (LxHxD)	96 x 77 x 118mm
Ambient temperature	-30°C to 50°C
Connection to the BUS	Coupling terminal, 2 pins Ø 1mm



GW 90 800 Weather station



WEATHER SENSORS					
	GW 90 881	GW 90 882	GW 90 883	GW 90 884	GW 90 885
Type	Rain sensor	Wind sensor	Wind and rain sensor	Light intensity sensor	Temperature sensor
Power supply	230V ac, 20mA	230V ac, 20mA	230V ac, 20mA	Via KNX bus 29V dc SELV	Via KNX bus 29V dc SELV
Current absorbed by BUS	8mA	8mA	8mA	10mA	5,5mA
Dimensions (LxHxD)	96x77x118mm	96x77x118mm	96x77x118mm	96x77x118mm	65x93x38mm
Assembly	Wall / pole	Wall / pole	Wall / pole	Wall / pole	Wall
Protection	IP44	IP44	IP44	IP44	IP65
Characteristics of built-in sensors					
	Heater: approx. 1,2W		Heater: approx. 1,2W		
		Measurement range: 0...70m/s	Measurement range: 0...70m/s		
				Measurement range: 0...150000lux	
					Measurement range: -40...+80°C
Connection to the BUS	Coupling terminal, 2 pins Ø 1mm	Coupling terminal, 2 pins Ø 1mm	Coupling terminal, 2 pins Ø 1mm	Coupling terminal, 2 pins Ø 1mm	Coupling terminal, 2 pins Ø 1mm



- GW90881 Rain sensor
- GW90882 Wind sensor
- GW90883 Wind and rain sensor
- GW90884 Light intensity sensor

GW90885 Temperature sensor

COMPLEMENTARY ITEMS

	INTERFACES		LOGIC MODULE
	GW 90 871	GW 90 872 A	GW 90 797 A
Type	KNX/DMX Gateway	KNX/DALI 64/16 IP Gateway	Logic module
Auxiliary power supply	9-30V DC, 100mA	110-240V AC - 50/60Hz, 100mA	Via KNX bus 29V dc SELV
Current absorbed by KNX BUS	max. 5mA	10mA max	10mA max
Connection to the KNX BUS	Coupling terminal, 2 pins Ø 1mm	Coupling terminal, 2 pins Ø 1mm	Coupling terminal, 2 pin Ø 1mm
Connections	DMX BUS - 3-screw terminal	DALI BUS - 2-screw terminal Power supply - 3-screw terminal	-
Dimensions (LxHxD)	107 x 75 x 31mm	4 DIN modules	2,5 DIN modules
Applications	One-way interface able to receive the KNX BUS commands and retransmit them towards the devices on the DMX BUS. The interface manages up to 512 DMX channels	Interface able to control (via KNX BUS) up to 64 lamps managed with the DALI protocol	Multifunction logic module: 10 functional blocks for logic operations, 10 for delay/filters, 8 for converters and 12 for multiplexers



GW90871 KNX/DMX Gateway











GW90872A KNX/DALI Gateway



GW90797A Logic module

AUTONOMOUS EMERGENCY DEVICES

IP degree	Type of mounting	Type of functioning	Autonomy	8W	24W
IP40	 Wall- / Ceiling-mounting	Not permanent	1 h	GW 81 401	GW 81 405
			3h	GW 81 402	GW 81 406
		Permanent	1 h	GW 81 411	GW 81 415
			3h	GW 81 412	GW 81 416
IP40	 Flush-mounting	Not permanent	1 h	GW 81 461	GW 81 465
			3h	GW 81 462	GW 81 466
		Permanent	1 h	GW 81 471	GW 81 475
			3h	GW 81 472	GW 81 476
IP65	 Wall- / Ceiling-mounting	Not permanent	1 h	GW 81 421	GW 81 425
			3h	GW 81 422	GW 81 426
		Permanent	1 h	GW 81 431	GW 81 435
			3h	GW 81 432	GW 81 436
IP40	 Ceiling-mounting	Permanent	1 h		
			3h		
IP40	 Ceiling-mounting	Permanent	1 h		
			3h		

IP degree	Type of mounting	Type of functioning	Autonomy	White	Titanium grey
IP42	 Wall- / Ceiling-mounting	Permanent	1 h	GW 81 701	GW 81 703
			3h	GW 81 702	GW 81 704
IP42	 Wall- / Ceiling-mounting with side lighting	Permanent	1h	GW 81 711	GW 81 712
IP42	 Flush-mounting	Permanent	1 h	GW 81 721	GW 81 723
			3h	GW 81 722	GW 81 724

FUNCTIONS	
Commands	<ul style="list-style-type: none"> Function mode selection (only for permanent lamps) Execution of functional test Inhibition mode ON/OFF Standby mode ON/OFF Lamp reset Reset to factory default setting
Status and alarm signalling	<ul style="list-style-type: none"> Permanent/Non-permanent mode Conduit alarm Battery alarm Status: test in progress Status: emergency Status: standby mode Status: low power consumption Activation of inhibition mode status Byte status Percentage of battery charge Result of last command execution
Tag data	<ul style="list-style-type: none"> Lamp power Lamp type

EMERGENCY KIT FOR FLUORESCENT LAMPS

Kit Net / Kit EIB: version for fluorescent tubes 11 ÷ 32 W - autonomy 1h

Source		Coupling	Power (W)								
FD		G13					18				
T5		G5			14		21				28
FSD		2G11					18		24		
FSD		2G7	11								
FSQ		2G10					18		24		
FSQ		G24q		13			18			26	
FSM		GX24q		13			18			26	32
Autonomy			2h 30'	2h 30'	2h	1h 30'	1h 30'	1h 30'	1h 30'	1h	1h
Yield			45%	40%	40%	27%	25%	25%	25%	15%	20%

Note: autonomy levels guaranteed with 24h recharging time.

Kit Net / Kit EIB: version for fluorescent tubes 24 ÷ 36 W - autonomy 1h

Source		Coupling	Power (W)			
FD		G13				36
FSD		2G11	24			36
FSQ		2G10	24			36
FSQ		G24q		26		
FSM		GX24q		26	32	
T5		G5	24 *			
Autonomy			3h	2h 30'	2h	2h
Yield			21%	25%	15%	20%

Note: autonomy levels guaranteed with 24h recharging time.

* Note: for lamp T5-G5 24W the yield is 19% instead of 21%.

Kit Net / Kit EIB: version for fluorescent tubes 55 ÷ 58 W - autonomy 1h

Source		Coupling	Power (W)
FD		G13	58
Autonomy			1h
Yield			15%

Source		Coupling	Power (W)
FSD		2G11	55
Autonomy			1h
Yield			18%

Note: autonomy levels guaranteed with 24h recharging time.

FUNCTIONS

Commands	<ul style="list-style-type: none"> - Selection of function mode - Execution of functional test - Inhibition mode for ON/OFF 	<ul style="list-style-type: none"> - Rest mode for ON/OFF - Lamp reset - Reset "ex factory" state 	
Status and alarm signalling	<ul style="list-style-type: none"> - Permanent/Non-permanent mode - Conduit alarm - Battery alarm - Status: test in progress 	<ul style="list-style-type: none"> - Status: emergency - Status: rest mode - Status: low power consumption - Status of inhibition mode activation 	<ul style="list-style-type: none"> - Byte status - Percentage of battery charge - Results of last command execution
Tag data	<ul style="list-style-type: none"> - Max. lamp power - Lamp type 		

The kits can be installed only on devices equipped with the lamps type as indicated in the tables. For further information, please refer to the GEWISS technical assistance.

DISPERSIBLE POWER TABLE

Code	Description	No. of DIN modules	Dispersible power (W)
GW 1 x 796	KNX 1-channel actuator	3*	1
GW 1 x 797	KNX motor control actuator	3*	2.7
GW 90 707	KNX/IP router	2	0.8
GW 90 708 A	Line/field coupler	2	0.5
GW 90 709	KNX 320mA power supply	4	4
GW 90 710	KNX 640mA power supply	4	8
GW 90 724	4-channel 230V AC input terminal	2.5	5.6
GW 90 728	KNX 8-channel (4 digital + 4 universal) input module	4	1
GW 90 729	KNX 8-channel ac/dc voltage input module	4	6
GW 90 730	KNX 4-channel 10A actuator + 4 universal inputs	4	4
GW 90 737	8-channel KNX actuator	8	10
GW 90 738	12-channel KNX actuator	12	15
GW 90 741	4-channel 10A KNX actuator	4	4
GW 90 740A	4-channel 16AX KNX actuator	4	4
GW 90 742	4-channel 16AX KNX actuator with manual command	4	5
GW 90 743	1-channel KNX universal dimmer actuator	4	5
GW 90 744	2-channel KNX universal dimmer actuator	4	6
GW 90 746	1-channel KNX dimmer actuator for electronic ballast	2.5	0.3
GW 90 747	3-channel KNX dimmer actuator for electronic ballasts	4	0.3
GW 90 750	KNX universal dimmer actuator	4	10
GW 90 764	KNX dimmer actuator for CVD LED	4	4
GW 90 765	KNX dimmer actuator for CCD LED	4	4
GW 90 753	8-channel KNX motor command actuator	8	12.7
GW 90 759	2-channel KNX dimmer actuator for resistive-inductive loads	6	12.1
GW 90 763	Analogue input	4	0.2
GW 90 797A	Logic Unit	2.5	0.2
GW 90 802	24V power supply (for Master ICE)	4.5	7
GW 90 815	KNX GSM remote control	6	2
GW 90 816	Internet Gateway	-	5
GW 90 856	2-channel KNX actuator for roller shutters	4	4
GW 90 857	4-channel KNX actuator for roller shutters	4	8
GW 90 872 A	KNX/DALI 64/16 IP gateway	4	7
GW A9 313	KNX 3-channel 16AX dimmer actuator for 1-10V electronic ballasts	4	3
GW A9 301	KNX 1-channel universal dimmer actuator	4	5
GW A9 302	KNX 2-channel universal dimmer actuator	4	5

* Flush-mounting articles.