

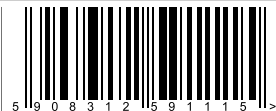


F&F Filipowski sp. j.
 Konstytucyjna 79/81 95-200 Pabianice
 phone/fax: (+48 42) 215 23 83 / 227 09 71 POLAND
 http://www.fif.com.pl e-mail: fif@fif.com.pl

**LIGHT DEPENDENT RELAY
 with external hermetic probe**

**AZH-S
 PLUS**

WARRANTY. The F&F products are covered by the 24 months warranty from date of purchase. Effective only with proof of purchase. Contact your dealer or directly from us. For more information on the procedures for filing complaints on: www.fif.com.pl/reklamacje



Do not dispose of this device in the trash along with other waste! According to the Law on Waste, electro coming from households free of charge and can give any amount to up to that end point of collection, as well as to store the occasion of the purchase of new equipment (in accordance with the principle of old-for-new, regardless of brand). Electro thrown in the trash or abandoned in nature, pose a threat to the environment and human health.

PURPOSE

Light dependent relay servers to switch -ON the lighting of streets, squares, shop windows, neon lamps etc., at twilight and to switch -OFF afore mentioned lighting at dawn.

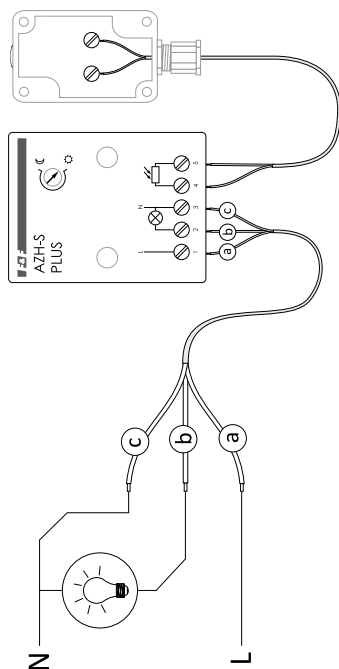
FUNCTIONING

The relay should be situated at place with permanent access to day light, which, due to its changes of intensity, will cause switching ON and OFF the lighting. The exact time of switching the lighting can be set by potentiometer by the user. Turn in the direction of „half moon” will delay switching-ON, turning in the direction of „sun” will advance switching-ON. The relay is equipped with a delay system, which delays switching ON and OFF the lighting, thus eliminating the influence of accidental disturbances like thunder lightings on the relay functioning.

ASSEMBLY

1. To turn OFF supply.
2. The relay fast upright (connection to down) to the substrate by two screws.

Connection diagram



3. The probe fast at place with permanent access to day light, which due to its changes of intensity, will cause switching ON and OFF the lighting.
4. Connect the relay to installation with connection diagram.
5. Set to switching threshold on the relay scale.

ATTENTION!

In the case of check the power to act the relay, all relay should be securely covered, e.g. by carton or dark mine cloth. Covered just probe “eye”, e.g. by finger is insufficient because intensity of day light is very intense and penetrate to fotoresistor by the plastic box and human body.

TECHNICAL DATA

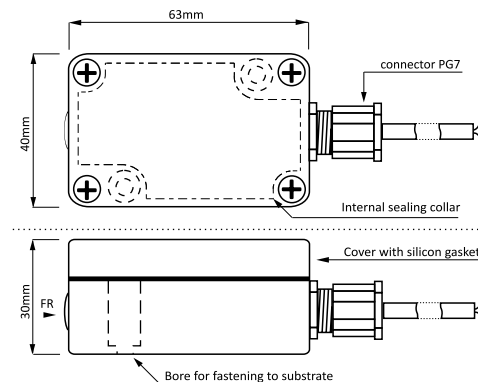
supply	230V AC
current load	<16A
switching threshold (setting range)	2±1000Lx
switching threshold (factory setting)	aprox. 7Lx
histeresis	aprox. 15Lx
switching ON delay	1±15sec
switching OFF delay	10±30sec
power consumption	0,8W
connection	screw terminals 2,5mm ²
working temperature	-25±50°C
dimensions	50x67x26mm
fixing	two screws to substrate
protection level:	
relay	IP20
probe	IP65

Power of receivers

tungsten	halogen	fluorescent	ESL	LED
2300W	1500W	750W	450W	450W

„External hermetic probe „PLUS”

Optical sensor in special small box connected by connector PG7 with round cable Ø7 mm (e.g. OMY, OWY 2x0,5mm²) of lenght up to 10 meters. Box with special sealing flange, fastened to substrate by two screws, closed by a cover with silicon gasket and tightened by four screws.



ATTENTION!

Lead probe wires along the power line network and conducting large currents is prohibited.