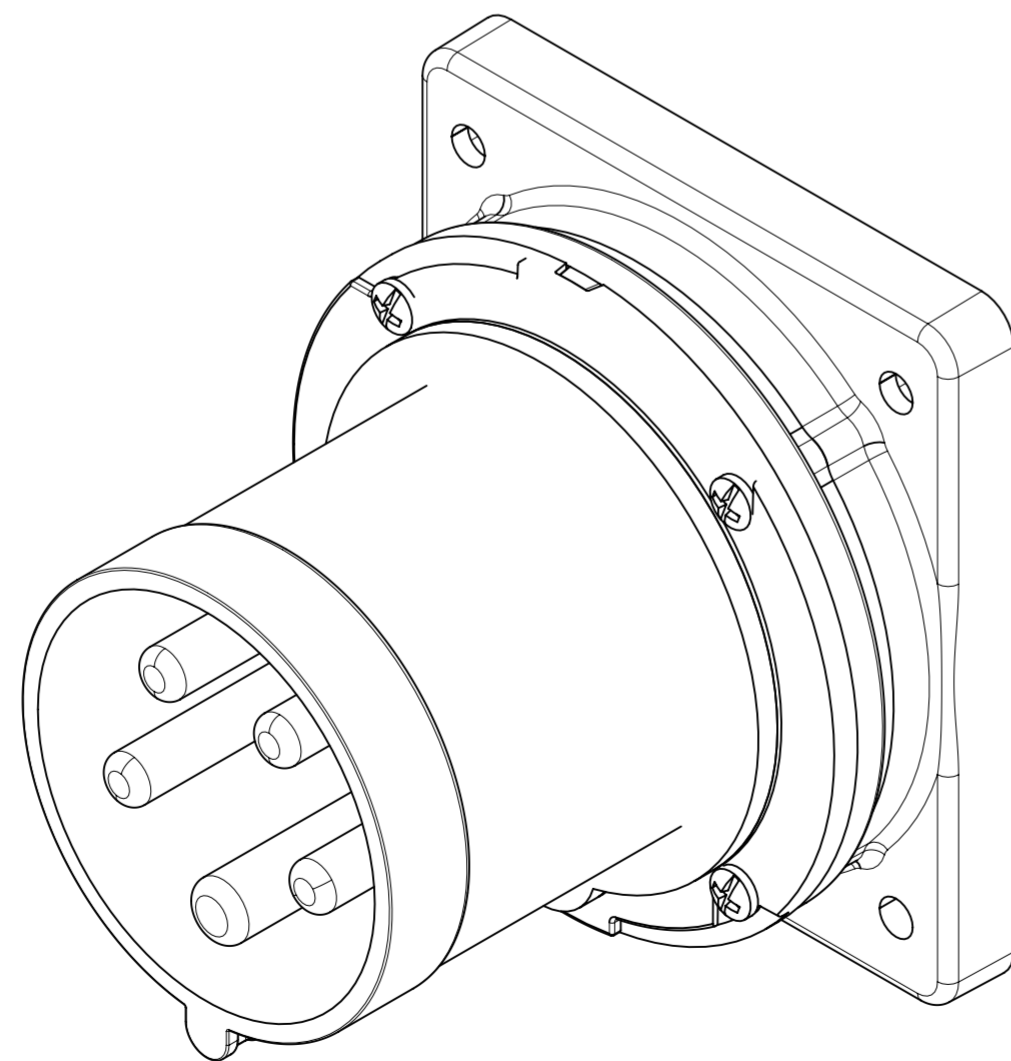


DIAMETRO DI FORATURA PANNELLO  
PANEL DRILLING HOLE



IL DISEGNO SI RIFERISCE ALLA POSIZIONE 6H  
DWG REFERS TO CLOCK POSITION 6H

|  |   |    |       |     |          |          |       |                    |  |
|--|---|----|-------|-----|----------|----------|-------|--------------------|--|
| At the end of the law,<br>we reserve the ownership<br>of this design may not<br>be copied and transfer it<br>to third parties or competitors | Format  | A2 | Scale | 1:1 | Mould N° | 1000XXXX | Drawn | SCAME              |  |
|  | Tolerances for linear and angular dimensions without<br>indication of specific tolerances: JS13 / UNI EN20286 |    |       |     |          |          |       | Date               |  |
| <b>SCAME</b><br>S.p.A.<br>PARRE - (Bergamo)  | DESCRIPTION   |    |       |     |          |          |       | CODICE Sheet 1 / 1 |  |
|  | <b>SPINA INCASSO 3P+N+T 63A OPTIMA IP44</b>   |    |       |     |          |          |       | <b>4000557</b>     |  |