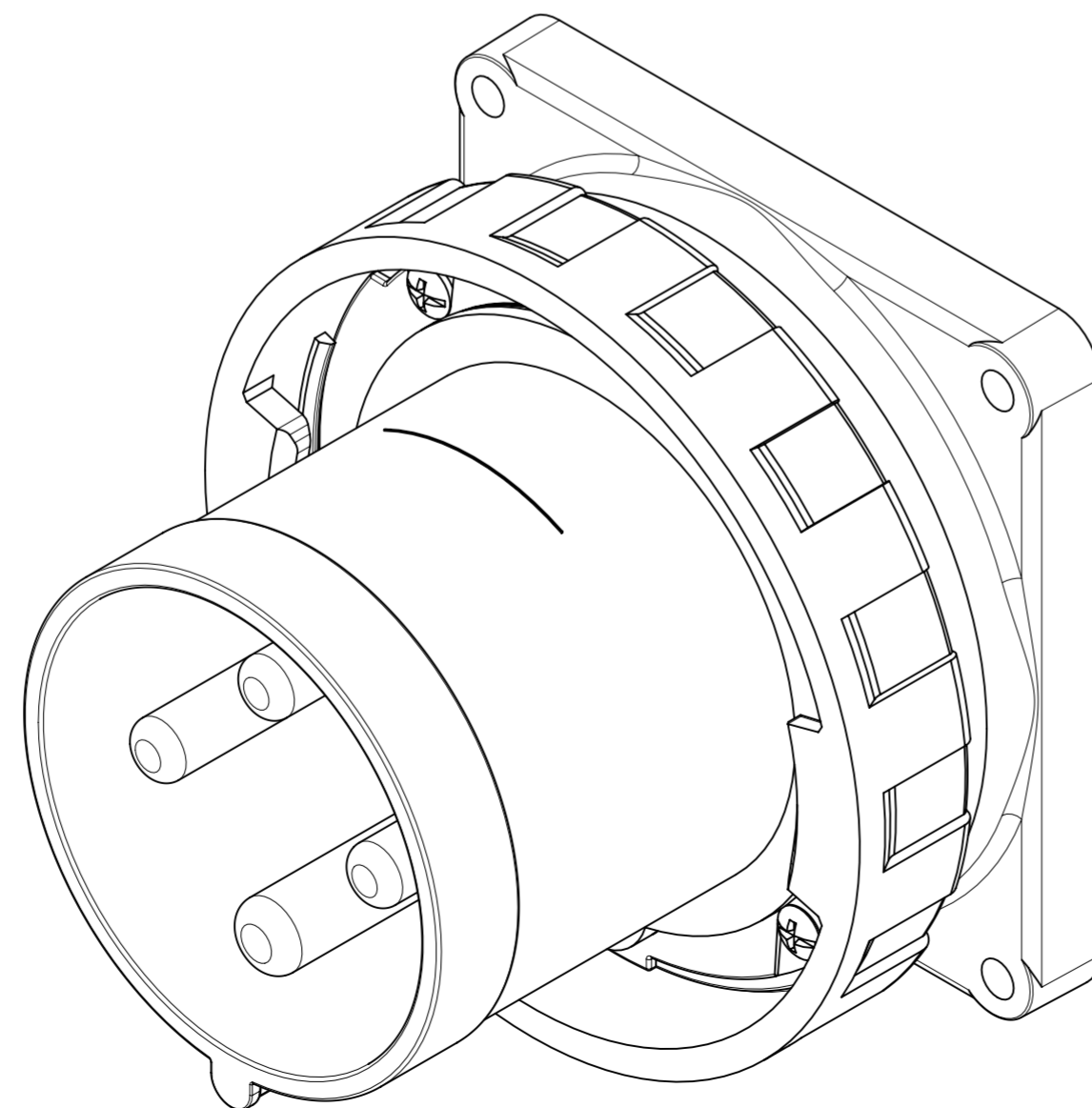


DIAMETRO DI FORATURA PANNELLO
PANEL DRILLING HOLE



IL DISEGNO SI RIFERISCE ALLA POSIZIONE 6H
DWG REFERS TO CLOCK POSITION 6H

| | | | | | | | | | |
|--|--|----|-------|-----|----------|----------|-------|---------|-------------|
| At the end of the law, we reserve the ownership of this design may not be copied and transfer it to third parties or competitors | Format | A2 | Scale | 1:1 | Mould N° | 1000XXXX | Drawn | SCAME | |
| | Tolerances for linear and angular dimensions without indication of specific tolerances: JS13 / UNI EN20286 | | | | | | | Date | |
| S.p.A. PARRE - (Bergamo) | DESCRIPTION | | | | | | | CODICE | Sheet 1 / 1 |
| | SPINA INCASSO 3P+T 125A IP67 OPTIMA | | | | | | | 4001326 | |