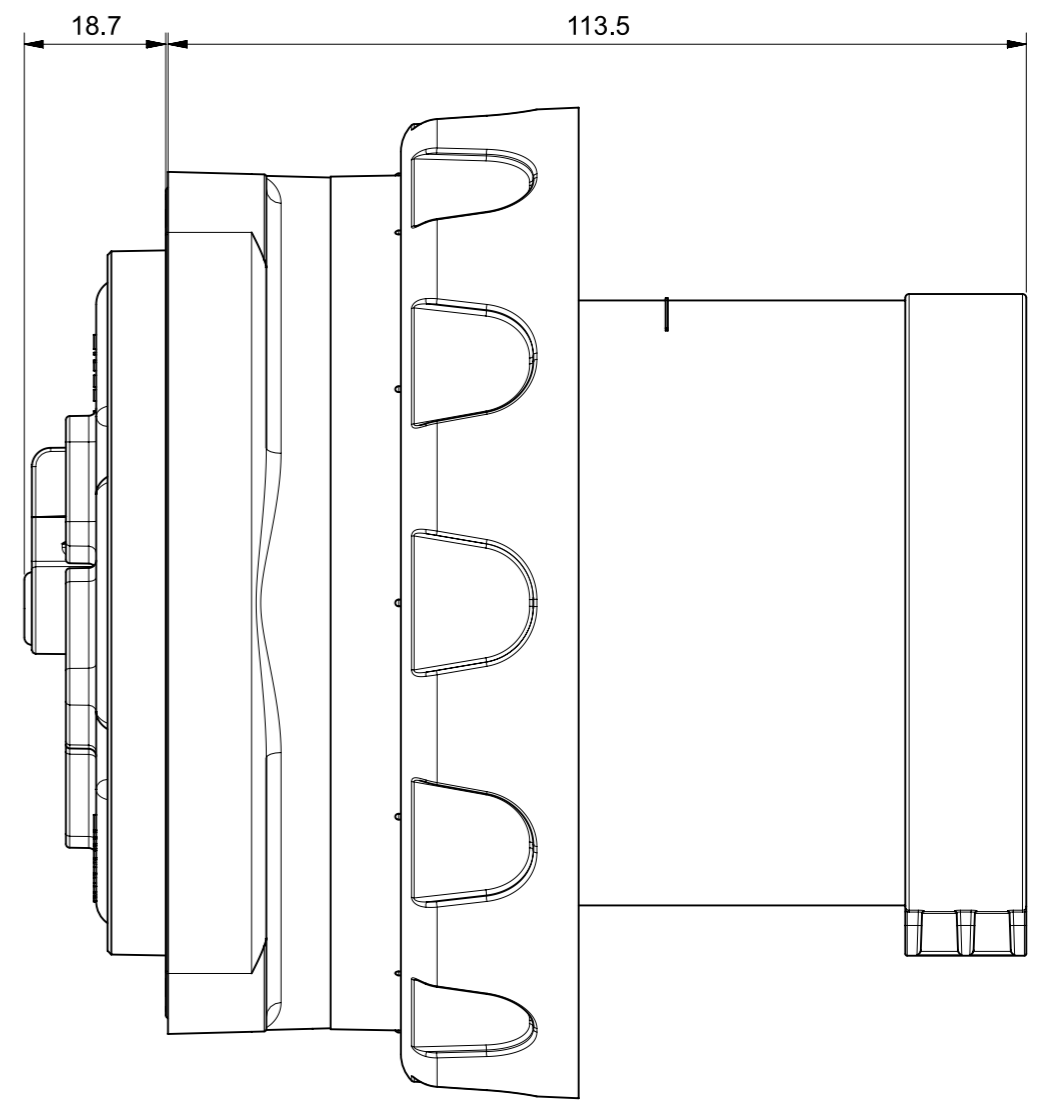
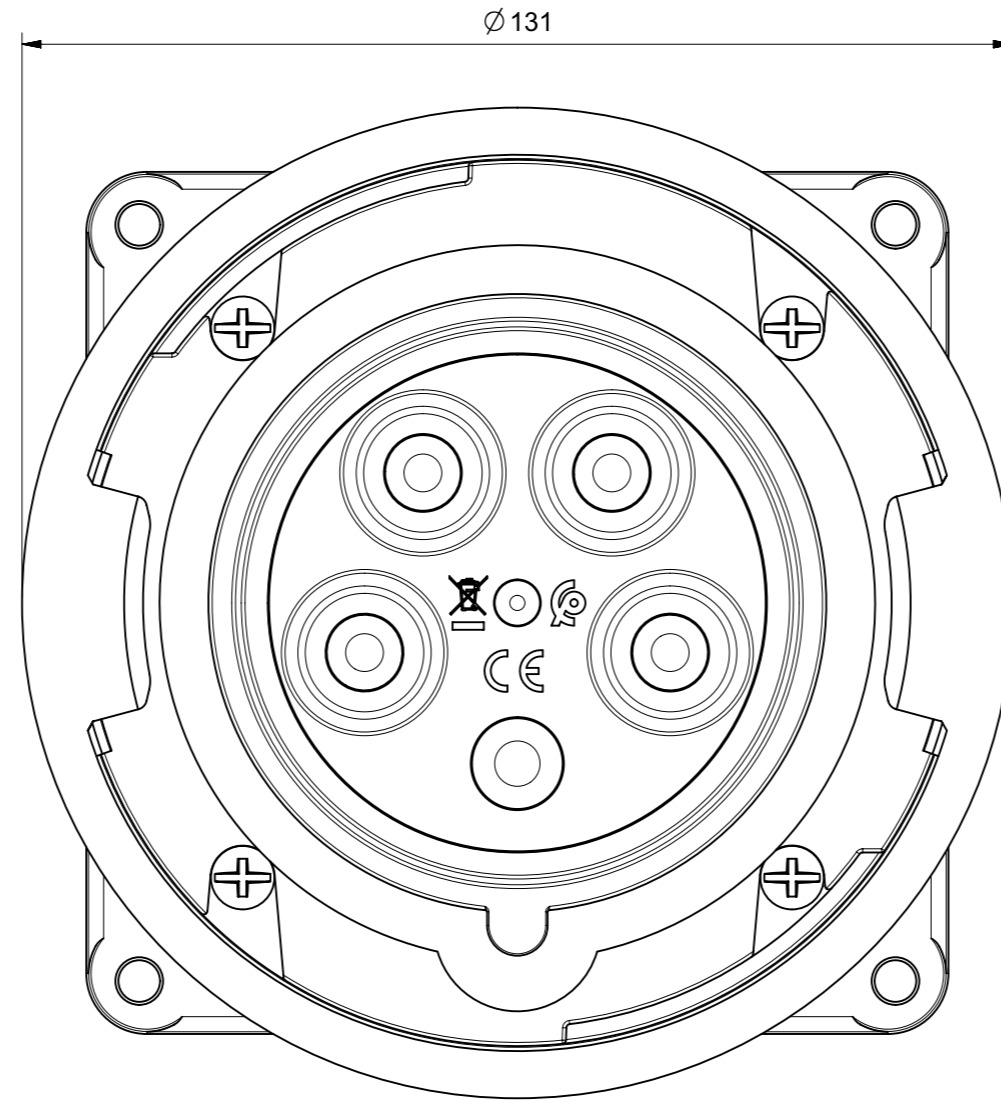
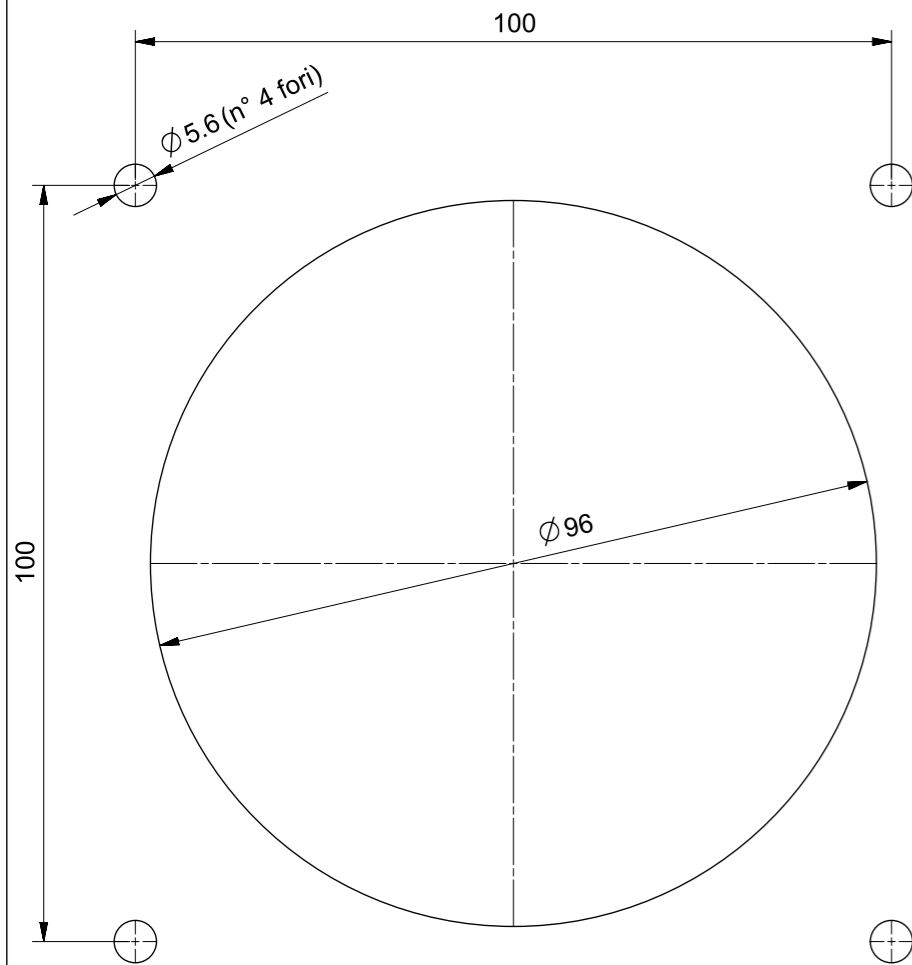


# Dima di foratura



IL DISEGNO SI RIFERISCE ALLA POSIZIONE 6H

DWG REFERS TO CLOCK POSITION 6H

Under the terms of the law we reserve the ownership of this design may not be copied and transfer it to third parties or competitors	Format	A3	Scale	1:1	Mould N°		Drawn	SCAME
	Tolerances for linear and angular dimensions without indication of specific tolerances: JS13 / UNI 286-1:2010							Date
 S.p.A. PARRE - (Bergamo)	DESCRIPTION						CODICE	Sheet 1 / 1
	SPINA INCASSO 3P+N+T 125A IP67 OPTIMA						4000016	