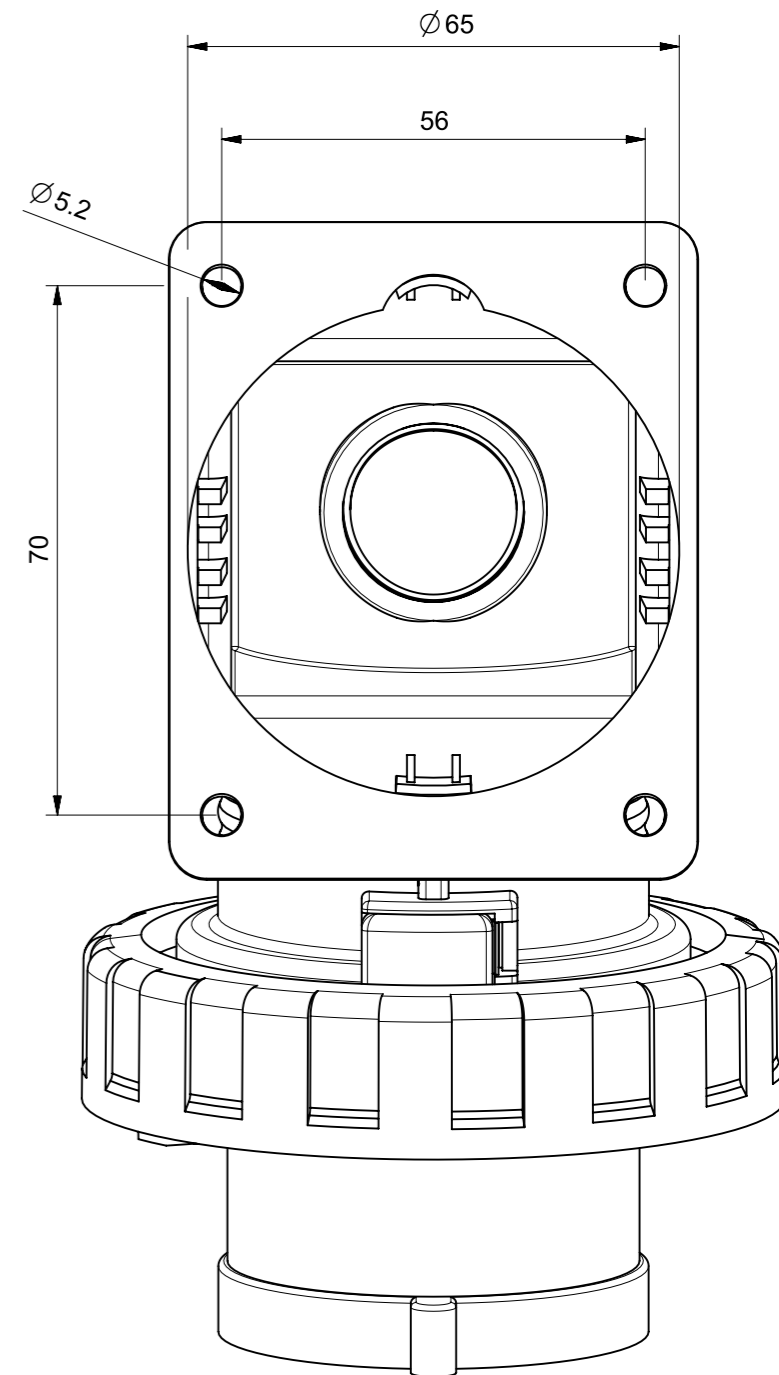


DIAMETRO MASSIMO FORATURA PANNELLO  
MAX PANEL DRILLING HOLE



IL DISEGNO SI RIFERISCE ALLA POSIZIONE ORARIA 6h  
DWG REFERS TO CLOCK POSITION 6h

At the end of the law, we reserve the ownership of this design may not be copied and transfer it to third parties or competitors	Format	A3	Scale	1:1	Mould N°	1000XXXX	Drawn	SCAME	
	Tolerances for linear and angular dimensions without indication of specific tolerances: JS13 / UNI 286-1:2010							Date	gg-mm-aaaa
								Approved	
 S.p.A. PARRE - (Bergamo)	DESCRIPTION						CODICE Sheet 1 / 1		
SPINA FISSA DA PARETE 2P+T 32A IP67						4006464			