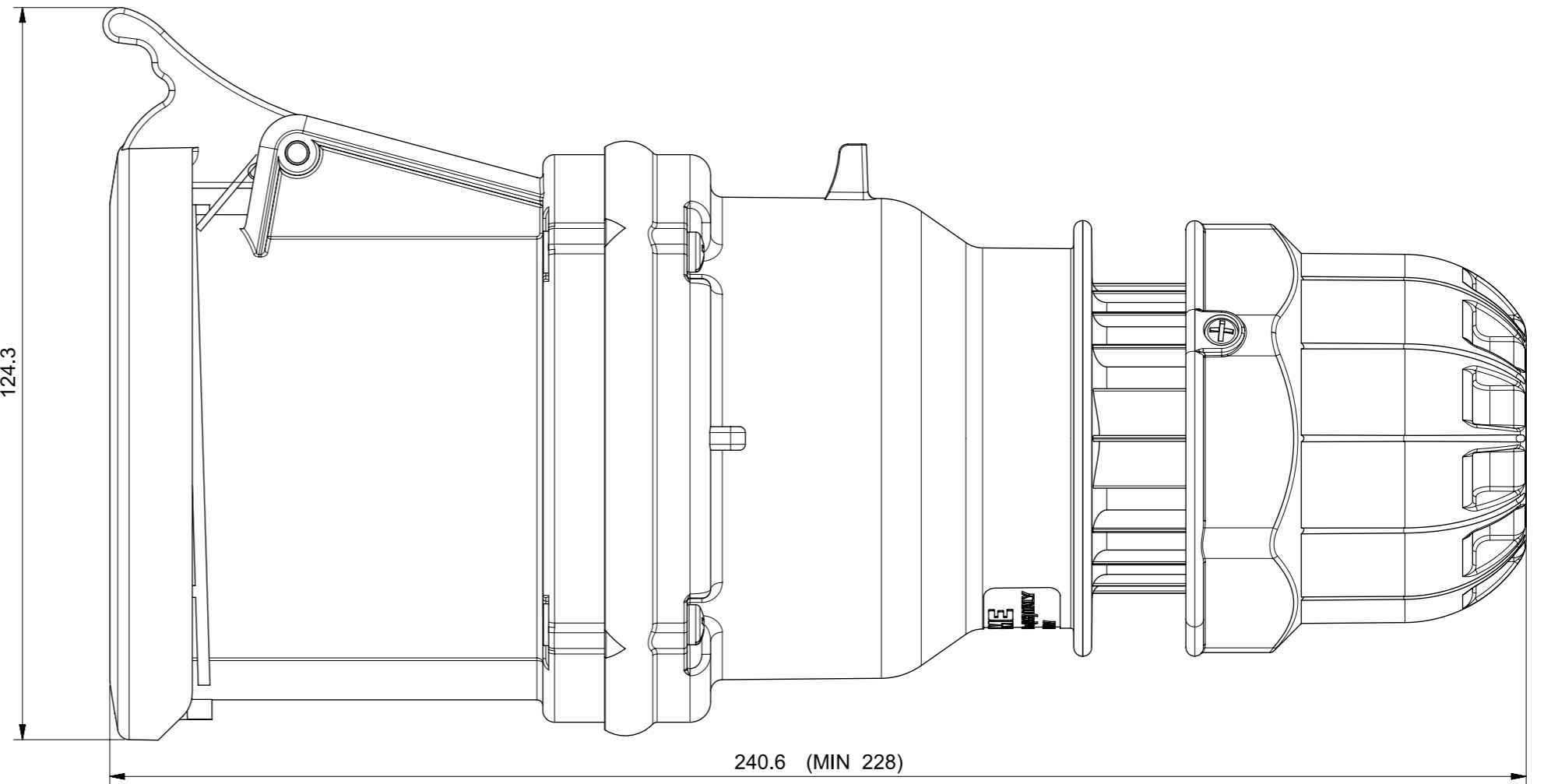
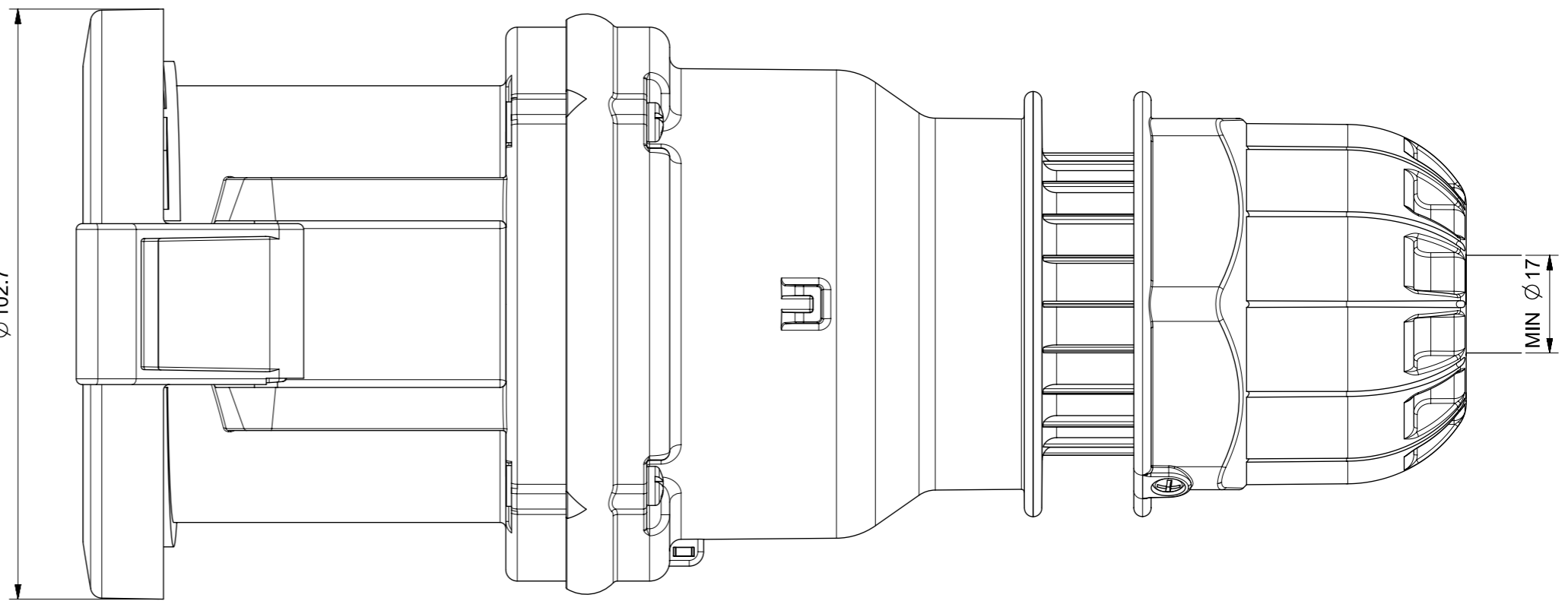


124.3



240.6 (MIN 228)

∅ 102.7



MIN ∅ 17

<p>At the end of the law, we reserve the ownership of this design may not be copied and transfer it to third parties or competitors</p> <p><b>SCAME</b> S.p.A. PARRE - (Bergamo)</p>	Format	A3	Scale	1:1	Mould N°	1000XXXX	Drawn	SCAME	
	Tolerances for linear and angular dimensions without indication of specific tolerances: JS13 / UNI EN20286							Date	
	DESCRIPTION							Approved	
<p><b>PRESA VOLANTE 2P+T 63A IP44 OPTIMA</b></p>							<p>CODICE Sheet 1 / 1</p> <p><b>4000434</b></p>		