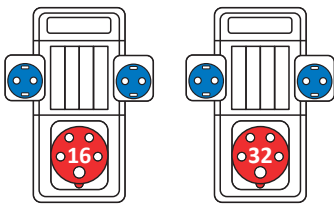


Distribution boxes EDS

Technical data

Degree of protection	IP 44, IP 54
Nominal current	16 A, 32 A / 5P
Nominal voltage	250 V
Products do not contain substances banned under Rohs directive	

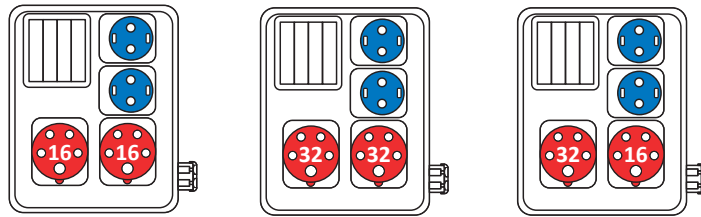
EDS 4 mini



EDS4m 2-2/1-5 16

EDS4m 2-2/1-5 32

EDS 4

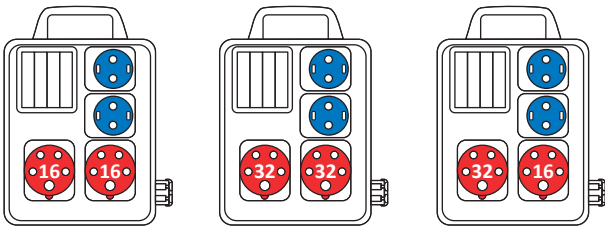


EDS4 2-2/2-5 16

EDS4 2-2/2-5 32

EDS4 2-2/2-5 16/32

EDS 4H

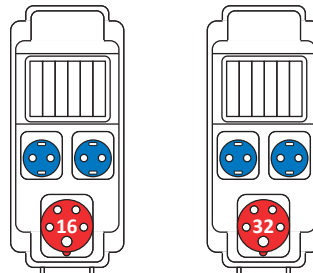


EDS4H 2-2/2-5 16

EDS4H 2-2/2-5 32

EDS4H 2-2/2-5 16/32

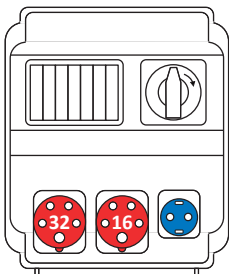
EDS 5



EDS5 2-2/1-5 16

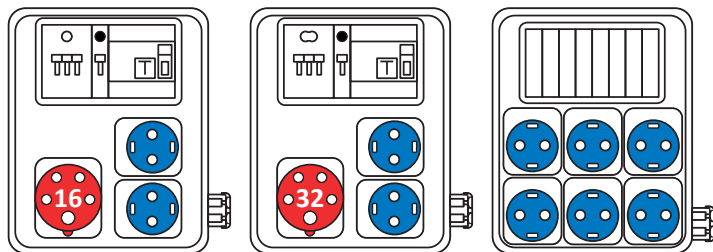
EDS5 2-2/1-5 32

EDS 7



EDS7 1-2/2-5 16/32

EDS 8

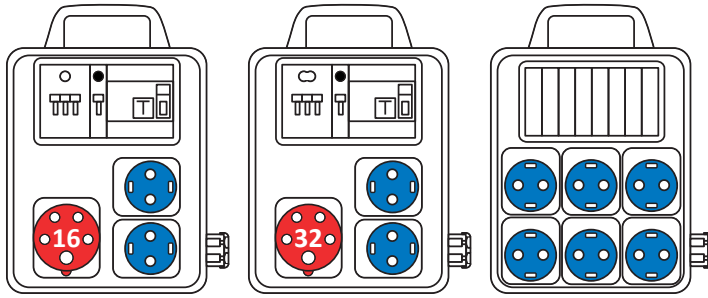


EDS8 2-2/1-5 16

EDS8 2-2/1-5 32

EDS8 6-2/0-0 16

EDS 8 H

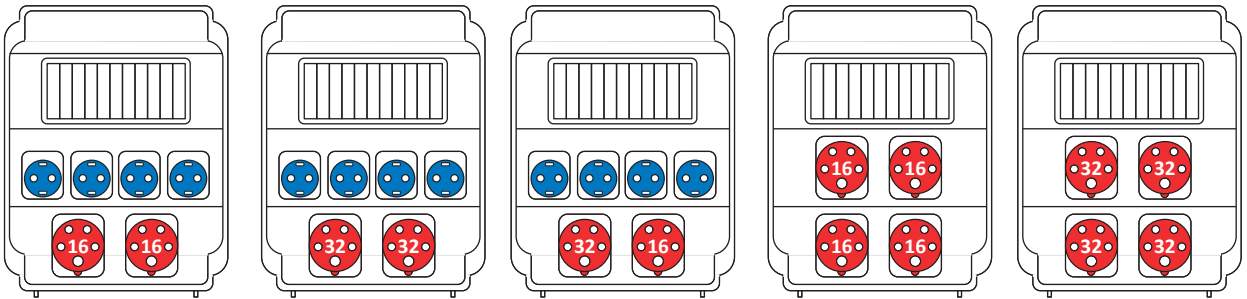


EDS8H 2-2/1-5 16

EDS8H 2-2/1-5 32

EDS8H 6-2/0-0 16

EDS 11



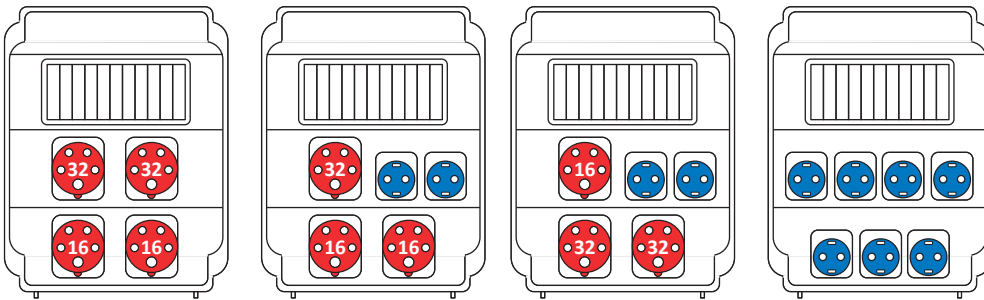
EDS11 4-2/2-5 16

EDS11 4-2/2-5 32

EDS11 4-2/2-5 16/32

EDS11 4-5 16

EDS11 4-5 32



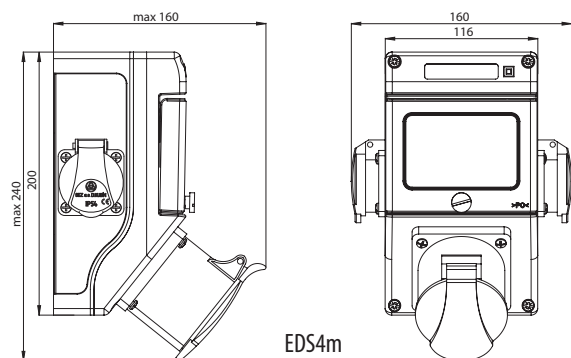
EDS11 4-5 16/32

EDS11 2-2/3-5 16/32

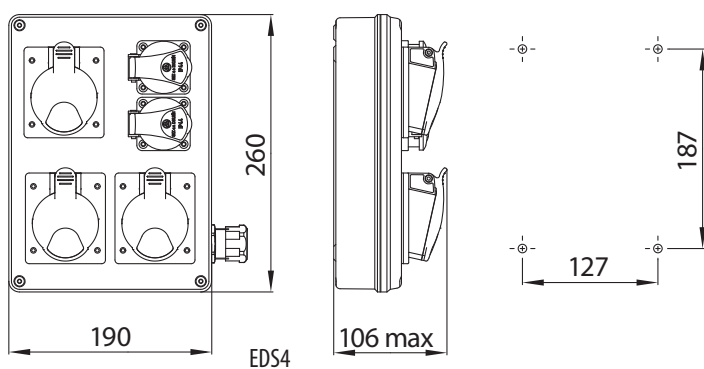
EDS11 2-2/3-5 32/16

EDS11 7-2 16

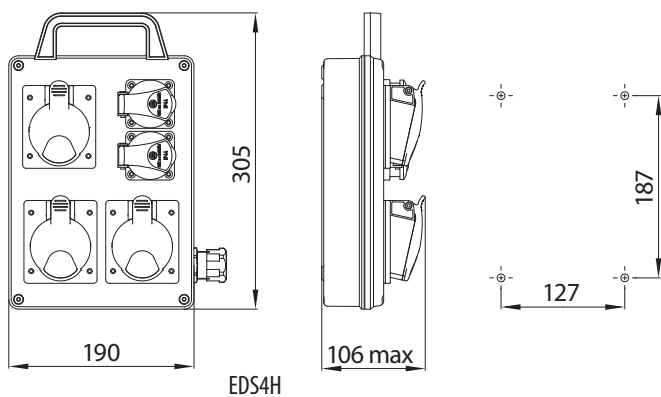
Dimensions



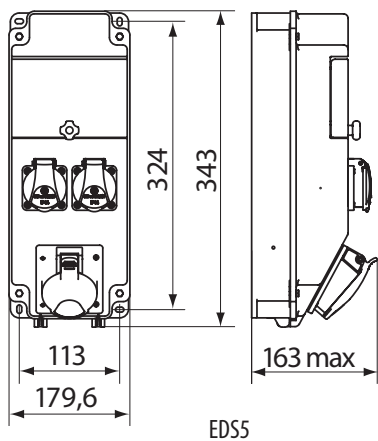
EDS4m



EDS4



EDS4H



EDS5

Technical data

