

Product catalogue 2016

Carithi.



CARIITTI OY

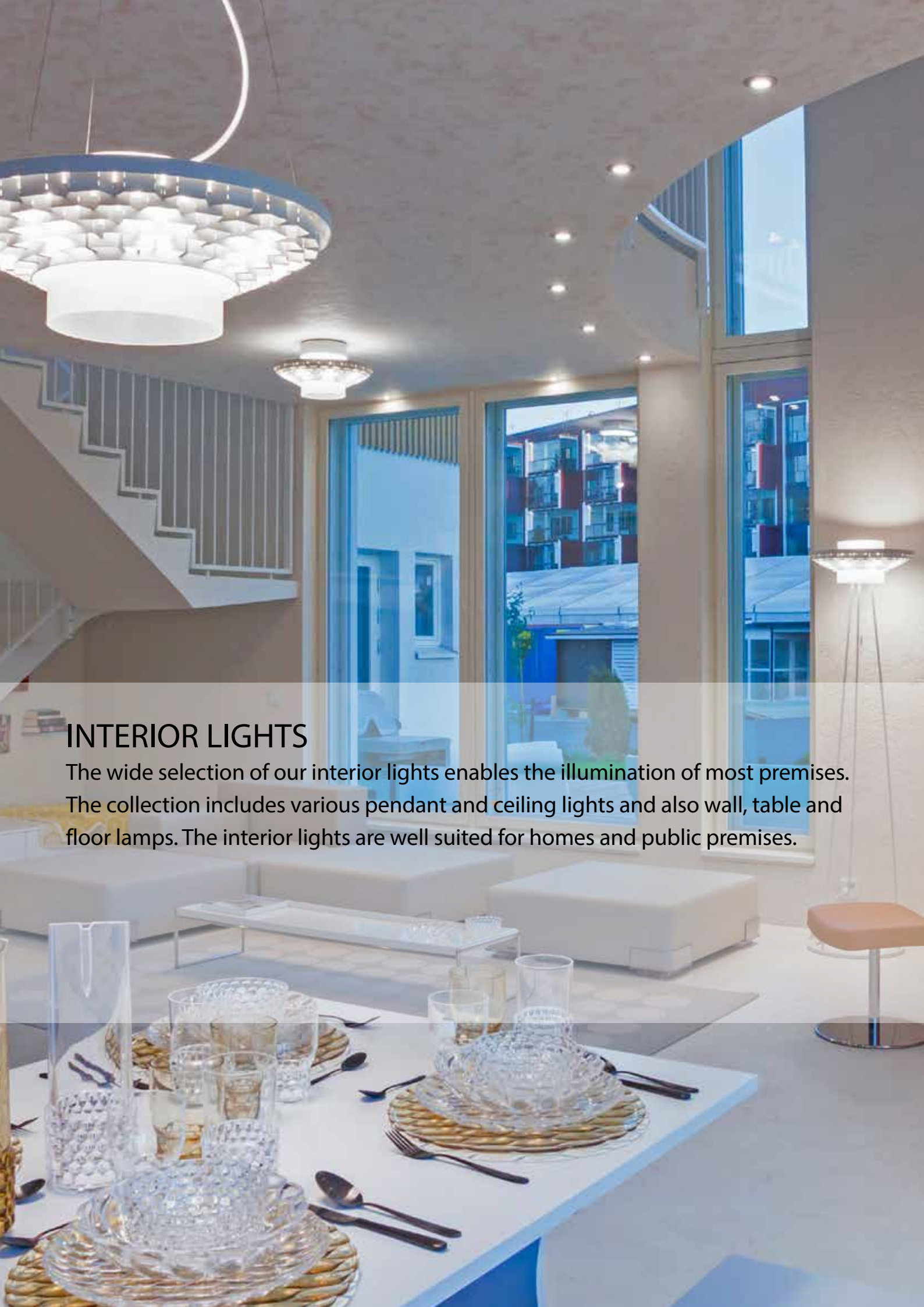
Cariitti Oy is a Finnish lighting company, situated in Kirkkonummi nearby Helsinki in Finland.

As a result of continuous product development Cariitti fibre optic and Led lighting systems, luminaires, projectors and fittings represent the absolute top level in the industry. Our operations are based on an innovative approach as well as on a strong commitment to fulfill customer requirements.

Cariitti is known for high quality products. We take pride in considering the environmental aspects of materials used in our production, and all components and materials suited for recycling are being recycled.

CONTENTS

Interior lights	5
Downlights	18
Lights for staircases	24
Crystal lights	25
Indirect and kitchen lighting	30
Chandeliers and curtain partitions	34
Starlight sets	37
Bathroom lights	41
Steam room lights	45
Sauna lighting sets	52
Sauna fibre optic fittings	55
Lenses and fittings	60
Crystal fittings	61
Lights for outdoor and underwater use	63
Outdoor lights	64
Fibre optic projectors	70
Optic fibres	74
Power supplies and control modules	81



INTERIOR LIGHTS

The wide selection of our interior lights enables the illumination of most premises. The collection includes various pendant and ceiling lights and also wall, table and floor lamps. The interior lights are well suited for homes and public premises.

GERBERA



GERBERA 450 White
Code 1589046

GERBERA 350 White
Code 1589044

GERBERA

GERBERA 450 Dark graphite grey
Code 1589047

- 43 W / 1.950 lm
- 230V
- Outer globe powder painted aluminium
- Inner globe shock proof acryl
- Suitable to use with a dimmer
- Switch for up and down light
- Height 1.750 mm
- ø 450 mm



GERBERA 350 Dark graphite grey
Code 1589045

- 35 W / 1.500 lm
- 230V
- Outer globe powder painted aluminium
- Inner globe shock proof acryl
- Suitable to use with a dimmer
- Switch for up and down light
- Height 1.550 mm
- ø 350 mm



GERBERA



GERBERA 350 White
Code 1589042

GERBERA 250 White
Code 1589040

GERBERA

GERBERA 350 Dark graphite grey
Code 1589043

- 30 W / 1.300 lm
- 230V
- Outer globe powder painted aluminium
- Inner globe shock proof acryl
- Suitable to use with a dimmer
- Switch for up and down light
- Height 570 mm
- ø 350 mm

GERBERA 250 Dark graphite grey
Code 1589041

- 21 W / 950 lm
- 230V
- Outer globe powder painted aluminium
- Inner globe shock proof acryl
- Suitable to use with a dimmer
- Switch for up and down light
- Height 430 mm
- ø 250 mm



GERBERA

GERBERA 450 Dark graphite grey, with uplight
Code 1589058

GERBERA 450 Dark graphite grey
Code 1589059

- 35 W / 2.000 lm
- 230V
- Outer globe powder painted aluminium
- Inner globe shock proof acryl
- Dimmable
- ø 450 mm
- Height 190 mm or 240 mm

GERBERA 350 Dark graphite grey, with uplight
Code 1589054

GERBERA 350 Dark graphite grey
Code 1589055

- 26 W / 1.700 lm
- 230V
- Outer globe powder painted aluminium
- Inner globe shock proof acryl
- Dimmable
- ø 350 mm
- Height 170 mm or 205 mm



GERBERA ceiling lamps are available in two sizes and in two colours, pearl white and dark graphite grey. The diameter options are 350 and 450 mm. Ceiling lamps are available with or without an uplight element. The uplight element reflects indirect light beautifully through the ceiling surface.

GERBERA

GERBERA 450 White, with uplight
Code 1589056

GERBERA 450 White
Code 1589057

GERBERA 350 White, with uplight
Code 1589052

GERBERA 350 White
Code 1589053



GERBERA

GERBERA 450 Dark graphite grey
Code 1589051

- 47 W / 2.000 lm
- 230V
- Outer globe powder painted aluminium
- Inner globe shock proof acryl
- Dimmable
- ø 450 mm



GERBERA 350 Dark graphite grey
Code 1589049

- 39 W / 1.700 lm
- 230V
- Outer globe powder painted aluminium
- Inner globe shock proof acryl
- Dimmable
- ø 350 mm



GERBERA pendant lights are available in two sizes and in two colours, pearl white and dark graphite grey. The diameter options are 350 and 450 mm. The length of the hanging wires and cables is 2.500 mm, which enables the installation in a high space (maximum room height 4 m). Pendant lights include an uplight element which reflects indirect light beautifully through the ceiling surface.

GERBERA

GERBERA 450 White
Code 1589050

GERBERA 350 White
Code 1589048



GERBERA

GERBERA 350 Dark graphite grey
Code 1589061

- 17 W / 760 lm
- 230V
- Outer globe powder painted aluminium
- Inner globe shock proof acryl
- Dimmable
- Width 350 mm
- Height 180 mm



GERBERA 350 White
Code 1589060



GERBERA wall sconce is a half-round wall lamp, width 350 mm. The colour options are pearl white and dark graphite grey. The wall sconce includes an uplight and downlight element.



ILLUSIA

ILLUSIA
Code 1589020 Dark graphite grey



The inspiration for the Illusia ceiling light came from the desire to create an atmospheric table setting without any candles. The secret of the light is the glass ball, hidden inside the globe. Its patterned surface creates a floral reflection on the table. The glass balls are handcrafted by glass blowers at the Riihimäki glass works, to make each flower unique.

- 26 + 1 W / 1700 lm
- 230 V, not dimmable
- Shade made of powder painted aluminium
- Inner globe made of shock proof acryl
- Hanging tube, length 850 mm
- Adjustable suspension cord, maximum room height 4 m
- ø 500 mm x H 300 mm

The shade of the luminaire is made of powder painted aluminium and the colour options are dark graphite grey and white. The inner globe is made of shock proof acryl. The diameter of the luminaire is 500 mm and height 300 mm. The length of the hanging tube is 850 mm, with an adjustable suspension cord. The maximum room height is 4 m.

The luminaire is well suited to be hung above the table of a living or dining room. You can "set the table" with the reflected pattern of the light. The hanging switch is a beautiful detail with a double function. You can switch on the main light when the light illuminates the whole room, or you can only switch on the reflected pattern for the atmosphere, or both at the same time.

Design: Kirsti Taiviola

ILLUSIA

ILLUSIA
Code 1589021 White



KEINU



KEINU
Code 1527833

- 6 x 3.2 W
- Mains dimmable power supply included
- Length 800 mm
- Length of the hanging wires 2500 mm

The luminaire is ideal for various workplaces and reception desks. Thanks to its simple and plain design it is suitable for several interior solutions both at home and in public premises.

Design: Frida Lindström

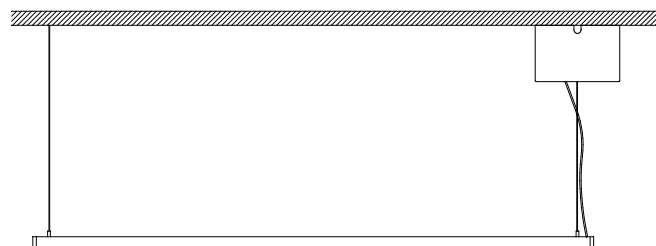
KEINU



Keinu Reilu
Code 1527832

- 6 x 3.2 W
- Mains dimmable power supply included
- Length 800 mm
- Length of the hanging wires 2500 mm
- Lead free crystals

Design: Frida Lindström



EGGO

EGGO, white
Code 1589022

- 230V / 350 mA / 3 W
- Power supply IP20 included
- Size approx. L250 x W160 x H170 mm

EGGO is a table light, made of free-blown glass. The free-blowing technique gives each glass an individual size and shape and, therefore, the above sizes are approximate. The smaller glass stone works as the weight of the wire and also as the switch and dimmer of the light.

Design: Camilla Moberg



CUBE

CUBE • Code 1545036

- 230 V / 4 W
- 3000 K
- Recess 55 mm
- Installation to a mounting box or a 52 mm hole
- Supply voltage Led light, no transformer needed, Triac dimmable
- Stainless steel
- Size H165 x W94 x D45 mm



CUBE W

CUBEW • Code 1545037

- 230 V / 4 W
- 3000 K
- Recess 55 mm
- Installation to a mounting box or a 52 mm hole
- Supply voltage Led light, no transformer needed, Triac dimmable
- Stainless steel
- Size H94 x W165 x D45 mm



ARCTIC SKY

ARCTIC SKY white
Code 1589031

- IP44
- 230V / 3 W / 700 mA
- Power supply IP20 included
- Size 500 x 500 x 30 mm

ARCTIC SKY RGBW
Code 1589032

- IP44
- 230V / 5 W / 350 mA
- Power supply IP20 included, which allows the connection of max 5 panels
- Size 500 x 500 x 30 mm

ARCTIC SKY RGBW (without power supply)
Code 1589035

- IP44
- 5 W / 350 mA
- Size 500 x 500 x 30 mm

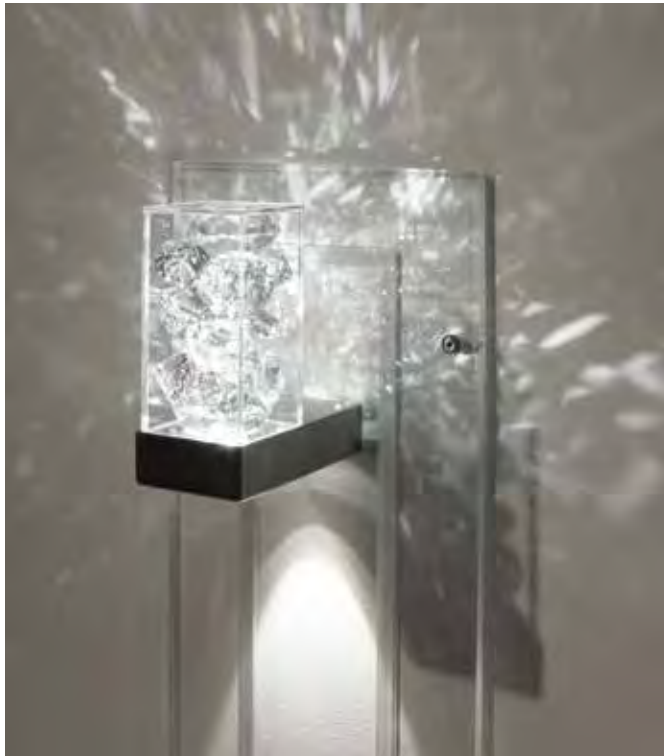


ARCTIC SKY is a modular light element with decorative lighting effect. The luminaire is made of Arctic Crystal crushed glass which creates crystal-like sparkling in the light. The integrated optic fibres inside the element illuminate the whole surface of the light. The light source is a white Led or a colour changing RGBW Led.

Design: Solulight

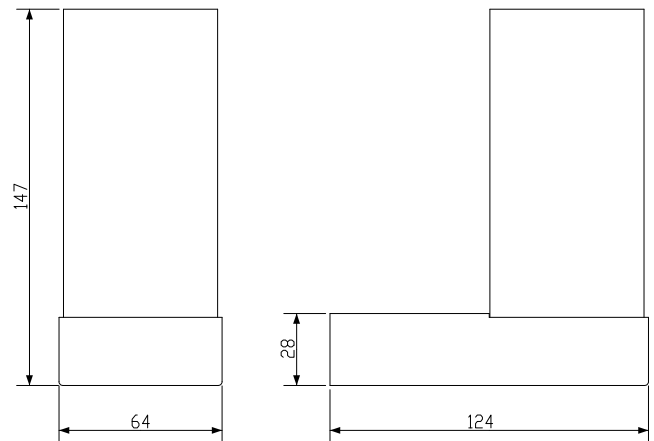


TOIVE



TOIVE Code 1527844
 TOIVE 1150 mm • Code 1527848
 TOIVE 1650 mm • Code 1527849

- 2 x 1 W
- 350 mA
- Stainless steel frame
- Lead-free crystal
- Power supply included
- Surface mounted acrylic panel 1150/1650 x 200 mm



Toive is a modern and decorative crystal light fitting. The light reflects through the crystals and creates beautiful and exciting figures on the wall. The colour of the downlight is warm white. Toive is available also with surface mounted acrylic panel. Toive is well suited for private and public premises, in lounges, hallways or e.g. in a bedroom above the bedside tables.

Design: Frida Lindström

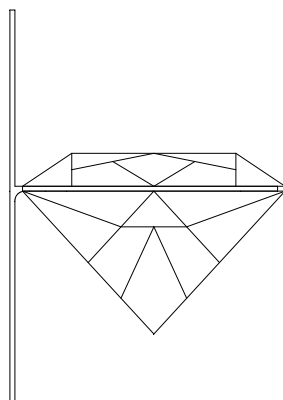
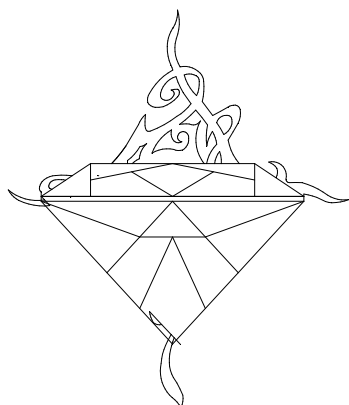
KIHLA

KIHLA Led
Code 1545086

- 1 W
- 350 mA
- Stainless steel
- Lead-free crystal
- Dimension: H 175 x W 155 x D 94 mm
- 5 m cable included
- Power supply to be ordered separately, see p. 81

Ideal for atmospheric lighting in hallways, bedrooms and restaurants.

Design: Frida Lindström



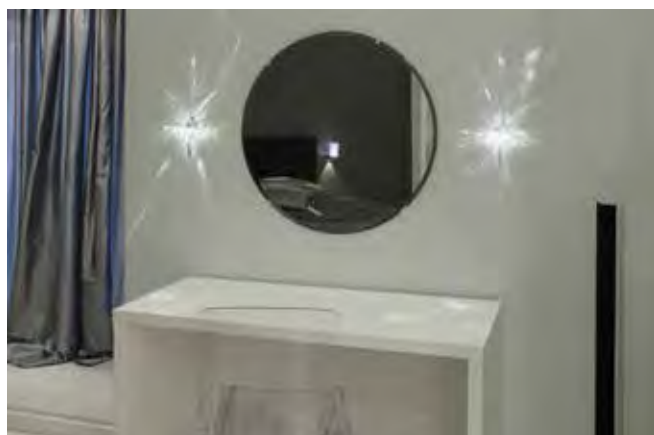
KIHLA GOLD

KIHLA Led Gold
Code 1545090

- 1 W
- 350 mA
- Gold-plated brass
- Lead-free crystal
- Dimension: H 175 x W 155 x D 94 mm
- 5 m cable included
- Power supply to be ordered separately, see p. 81

Ideal for atmospheric lighting in hallways, bedrooms and restaurants.

Design: Frida Lindström





DOWNLIGHTS

State-of-the-art Led technology is used in Cariitti products. They have high luminosity, low energy consumption, excellent resistance to vibration and ensured electrical safety, low surface temperature and a very long lifetime. Cariitti Led lights have a lifetime of 50 000 hours, with only a 30% reduction in luminous flux.

AMONET



Aluminium frame
Satin glass

- Diameter 80 mm
- Recess 55 mm
- Installation to a mounting box or 52 mm hole
- Supply voltage Led light, no transformer needed, Triac dimmable



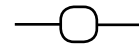
Type	Code	Power W	Voltage V	IP	Ra	K	Lumen
AMONET SILVER	1554004	4 W	230 V	IP44	>80	3000 K	182 lm
AMONET CHROME	1554007	4 W	230 V	IP44	>80	3000 K	182 lm
AMONET WHITE	1554008	4 W	230 V	IP44	>80	3000 K	182 lm

IRIS



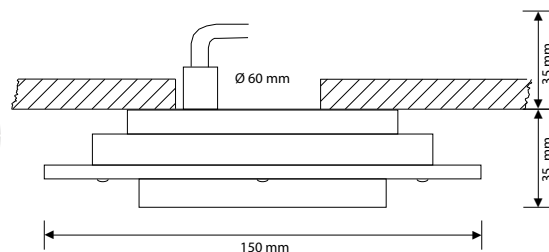
Aluminium frame
Satin glass

- Diameter 112 mm
- Recess 55 mm
- Installation to a junction box or 67 mm hole
- Supply voltage Led light, no transformer needed, Triac dimmable



Type	Code	Power W	Voltage V	IP	Ra	K	Lumen
IRIS SILVER	1554020	8 W	230 V	IP44	>80	3000 K	391 lm
IRIS CHROME	1554021	8 W	230 V	IP44	>80	3000 K	391 lm
IRIS WHITE	1554022	8 W	230 V	IP44	>80	3000 K	391 lm

KUU SATIN 230



Acrylic frame
Satin glass

- Installation to a junction box or 60 mm hole
- Supply voltage Led light, no transformer needed, Triac dimmable



Type	Code	Power W	Voltage V	Current mA	IP	Ra	K	Lumen
KUU SATIN 230	1554006	8 W	230 V		IP44	>80	3000 K	421 lm

AMONET SQ



Aluminium frame
Satin glass

- Size 80 x 80 mm
- Recess 55 mm
- Installation to a mounting box or 52 mm hole
- Supply voltage Led light, no transformer needed, Triac dimmable



Type	Code	Power W	Voltage V	IP	Ra	K	Lumen
AMONET SQ SILVER	1554009	4 W	230 V	IP44	>80	3000 K	165 lm
AMONET SQ CHROME	1554010	4 W	230 V	IP44	>80	3000 K	165 lm
AMONET SQ WHITE	1554011	4 W	230 V	IP44	>80	3000 K	165 lm

IRIS SQ



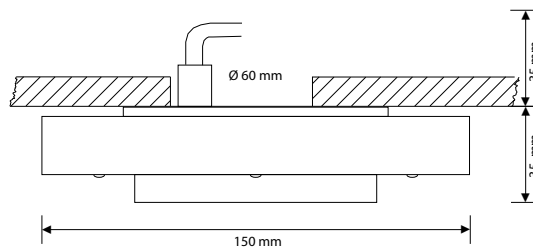
Aluminium frame
Satin glass

- Size 112 x 112 mm
- Recess 55 mm
- Installation to a mounting box or 67 mm hole
- Supply voltage Led light, no transformer needed, Triac dimmable



Type	Code	Power W	Voltage V	IP	Ra	K	Lumen
IRIS SQ SILVER	1554023	8 W	230 V	IP44	>80	3000 K	395 lm
IRIS SQ CHROME	1554024	8 W	230 V	IP44	>80	3000 K	395 lm
IRIS SQ WHITE	1554025	8 W	230 V	IP44	>80	3000 K	395 lm

KUU 230



Wooden frame
Satin glass

- Installation to a junction box or 60 mm hole
- Supply voltage Led light, no transformer needed, Triac dimmable



Type	Code	Power W	Voltage V	Current mA	IP	Ra	K	Lumen
KUU 230	1554005	8 W	230 V		IP44	>80	3000 K	390 lm

NEO 24



- Installation with locking spring
- Diameter 74 mm
- Installation hole 60-70 mm
- Recess 50 mm
- Led light, dimmable. See suitable dimmers and power supplies in the product Data Sheet.



ø 60 - 70 mm

Type	Code	Power W	Voltage V	IP	Ra	K	Lumen
NEO 24 CHROME	1545302	7 W	24 V	IP44	>90	3000 K	309 lm

LOISTE 24



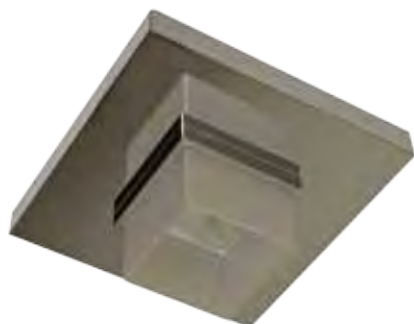
- Installation with locking spring
- Diameter 88 mm
- Installation hole 60-70 mm
- Recess 30 mm
- Led light, dimmable. See suitable dimmers and power supplies in the product Data Sheet.



ø 60 - 70 mm

Type	Code	Power W	Voltage V	IP	Ra	K	Lumen
LOISTE 24 CHROME	1545305	7 W	24 V	IP44	>90	3000 K	325 lm
LOISTE 24 WHITE	1545306	7 W	24 V	IP44	>90	3000 K	325 lm

LOISTE SQ 24



- Installation with locking spring
- Size: L80 x W80 x H32 mm
- Installation hole 60-70 mm
- Recess 30 mm
- Led light, dimmable. See suitable dimmers and power supplies in the product Data Sheet.



ø 60 - 70 mm

Type	Code	Power W	Voltage V	IP	Ra	K	Lumen
LOISTE SQ 24 CHROME	1545308	7 W	24 V	IP44	>90	3000 K	328 lm
LOISTE SQ 24 WHITE	1545309	7 W	24 V	IP44	>90	3000 K	328 lm

CR-36 KIT

CR-36 Kit

Code 1545890 Gold

Code 1545891 Chrome

Code 1545892 White

- 9 x 1 W
- 350 mA
- 3000 K / 85 lm
- IP44
- Installation with locking springs
- Light opening angle 36°
- Includes 9 pcs of lights, a power cord set and dimmable power supply.



CR-70 KIT

CR-70 Kit

Code 1545899 Gold

Code 1545900 Chrome

Code 1545902 White

- 9 x 1 W
- 350 mA
- 3000 K / 85 lm
- IP44
- Installation with locking springs
- Light opening angle 70°
- Includes 9 pcs of lights, a power cord set and dimmable power supply.





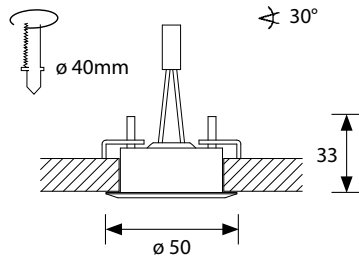
ADJUSTABLE LED LIGHTS

NB! Use only serial connection with these products. Power supply to be ordered separately, see page 81.

KIERTO

Code 1545693 warm
Code 1545694 cold

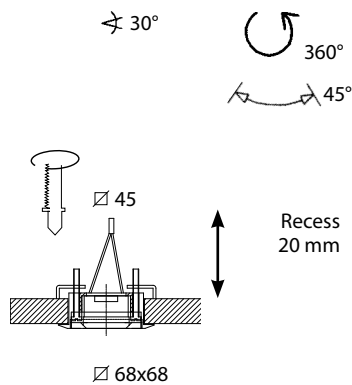
- Anodized silver
- 1 W
- 350 mA
- IP44



KIERTO 1

Code 1532424 warm
Code 1532425 cold

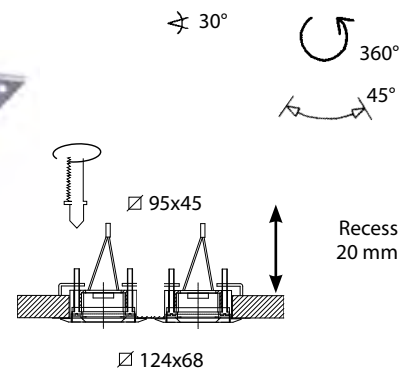
- Anodized silver
- 1 W
- 350 mA
- IP44



KIERTO 2

Code 1532426 warm
Code 1532427 cold

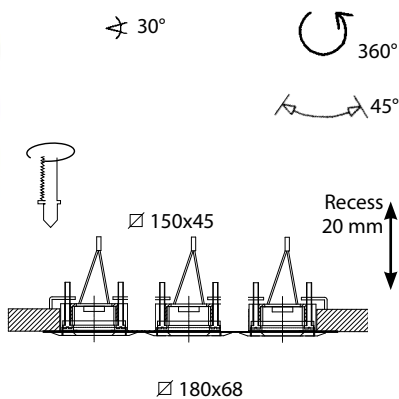
- Anodized silver
- 2 x 1 W
- 350 mA
- IP44



KIERTO 3

Code 1532428 warm
Code 1532429 cold

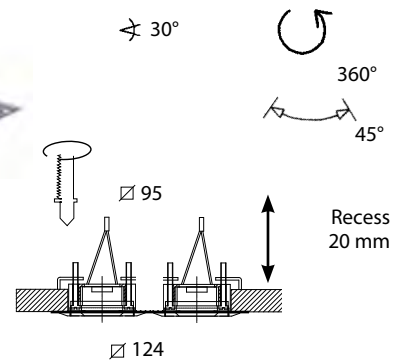
- Anodized silver
- 3 x 1 W
- 350 mA
- IP44

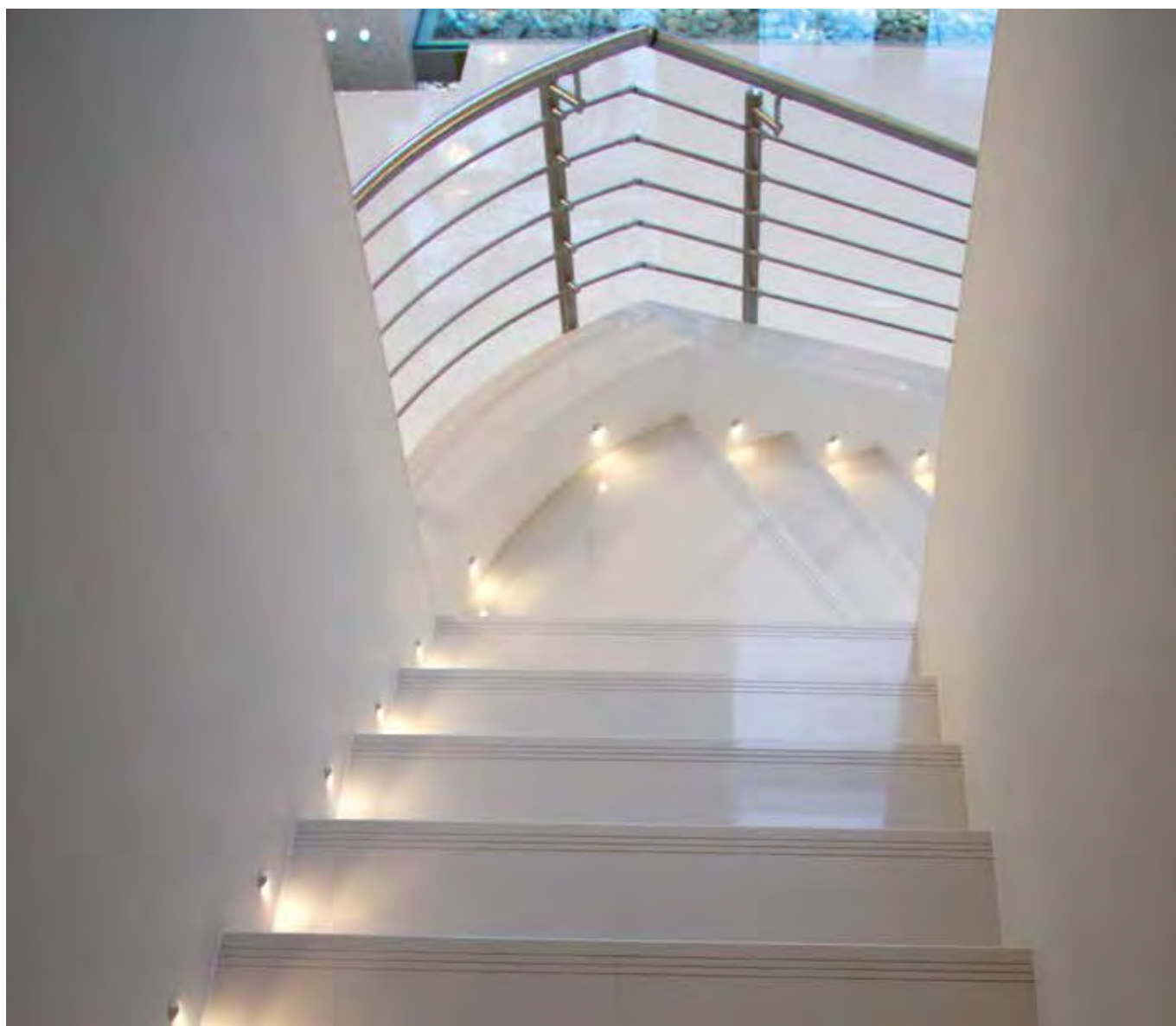


KIERTO 4

Code 1532430 warm
Code 1532431 cold

- Anodized silver
- 4 x 1 W
- 350 mA
- IP44



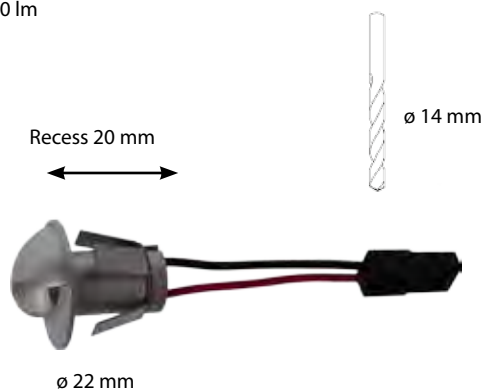


GP-65 KIT

GP-65 KIT 9, 3000 K
Code 1532114

GP-65 KIT 18, 3000 K
Code 1532116

- Directs light downwards, ideal for staircases
- Mains dimmable power supply included
- 9 x 1 W / 18 x 1 W, IP44
- 70 lm



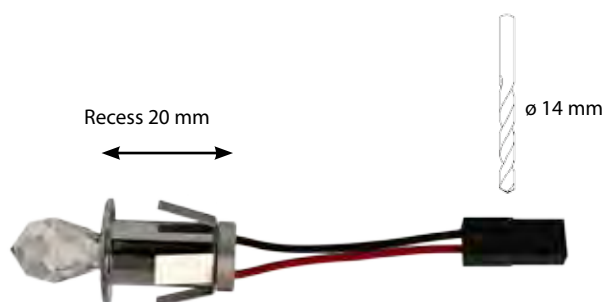


CRYSTAL KIT

CRYSTAL KIT 9, 4000 K
Code 1532126 Chrome
Code 1532128 Gold

CRYSTAL KIT 9, 3000 K
Code 1532127 Chrome
Code 1532129 Gold

Kit 9 is a ready-to-install set, including 3 pcs CR-12, 3 pcs CR-16 and 3 pcs CR-31 Swarovski crystals, a power cord set and power supply, IP44. Ideal to be used with starlight illumination.



Led crystals are easy to install with the enclosed locking spring. Installation hole \varnothing 14 mm. Installation surface minimum 6 mm. Led 1 W / 350 mA, 4000 K, IP44. NB! Serial connection only.

SADE



SADE 345
Code 1545094

SADE 567
Code 1545096

- IP44
- Recess 20 mm
- Lead-free crystal
- Power supply to be ordered separately, see page 81

Lengths:
345: 95 / 115 / 135 mm
567: 135 / 155 / 175 mm



\varnothing 14 mm



SADE KIT



SADE Kit
Code 1545098

- Lead-free crystal
- Includes 18 crystal lights of which 12 pcs with 345 crystals, 6 pcs with 567 crystals, a power cord set and power supply. A ready-to-install set.









INDIRECT AND KITCHEN LIGHTING

By placing the Led lights in the constructions good results are obtained with low power. Colour changing RGB Led lighting permits variation in ambience and thereby creates an ever more comfortable atmosphere.

Led profiles offer a versatile lighting alternative and have the advantage of low energy consumption and ease of use.

HUUHTO EASY

Code 1532357
3000 K, length 1000 mm, 24 V/10 W



Code 1532356
3000 K, length 620 mm, 24 V/6 W



Code 1532355
3000 K, length 520 mm, 24 V/5 W



Code 1532354
3000 K, length 330 mm, 24 V/3 W



Code 1532353
3000 K, length 230 mm, 24 V/2 W

IP44



Code 1532363
Connection wire 100 mm



Code 1532362
Corner piece 52 x 52 mm



Code 1532361
Adjustment fittings, a pair



HUUHTO EASY lights are suitable for a diverse use. They are ideal for kitchen unit lighting and they can be used also for indirect lighting through ceiling surface.



Huuhto profile lights are well suited for many purposes. They can be used in the edge of a table to illuminate the front surface of drawers and cupboards. In these installations Huuhto provides an excellent light inside the drawers when opening them.

HUUHTO EASY

- Broad spread of light, suitable e.g. for illumination of kitchen units, shelves and ceiling and wall surfaces
- To be noted in installation planning that the connector of the supply cable will add the total length with 20-40 mm
- Easy to install with the enclosed clips
- Profile size: width 18 mm, height 16 mm
- The total length of connected profiles is max 7 m



HUUHTO EASY is quick and easy to install. The profiles are connected to each other with enclosed connectors. The profiles are fastened invisibly on the installation surface with enclosed clips. The satin cover reduces the Led spot effect to minimum. The cover is mounted inside the profile edges, preventing the side glare of light.

Code 1532133
Supply cable 5 m,
90 degree angle

Code 1532118
Supply cable 5 m

Code 1532287
Power supply 30W

Code 1532288
Power supply 75W



Huuhto profile lights can be used for indirect lighting through ceiling surface.





Huuhto profile lights are delivered to order also for outdoor use and for moist premises with white light or colour changing RGB. The recommended length of one Huuhto light profile is maximum 2 meters.



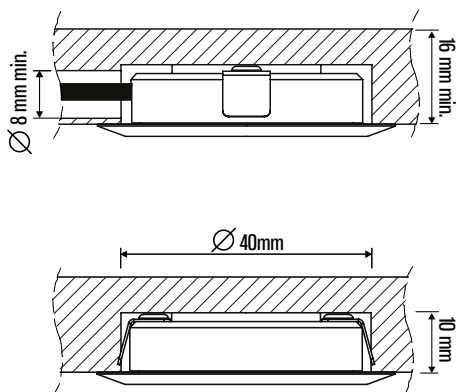
SMART

SMART

Code 1545195 • Silver
Code 1545196 • Chrome
Code 1545197 • White

- 3.5 W
- 3000 K
- Serial connection
- IP44

Power supply to be ordered separately, see page 81.



Smart light is ideal for illuminating kitchen units and showcases. The light is installed in a $\varnothing 40$ mm hole, with depth of only 10 mm. Thanks to the low installation depth, the light can be installed in the lower surface of a kitchen cupboard, leading the cable to the back wall through a hole of $\varnothing 8$ mm inside a shelf. The light is equipped with a 1.8 m connecting cable with a quick-connect fitting in the end for serial connection.

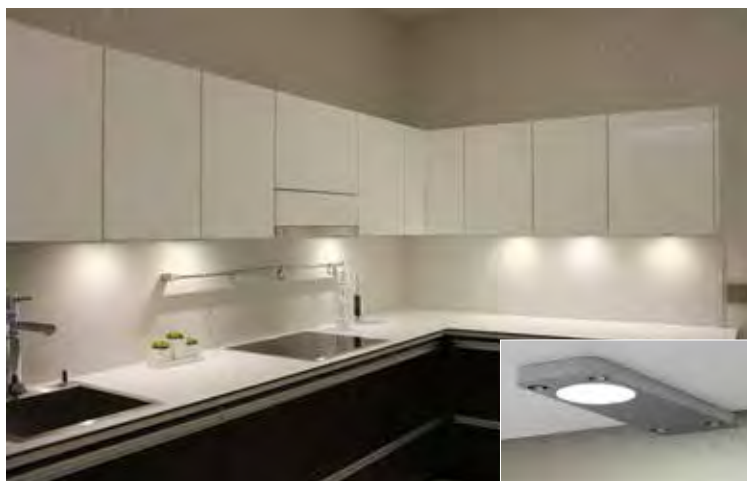
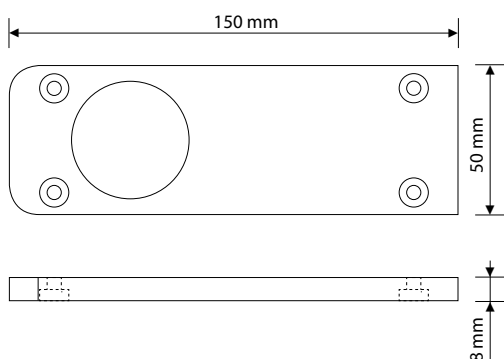
SMART SQ

SMART SQ

Code 1545310 • Chrome
Code 1545311 • White

- 3.5 W
- 3000 K
- Serial connection
- IP44

Power supply to be ordered separately, see page 81.



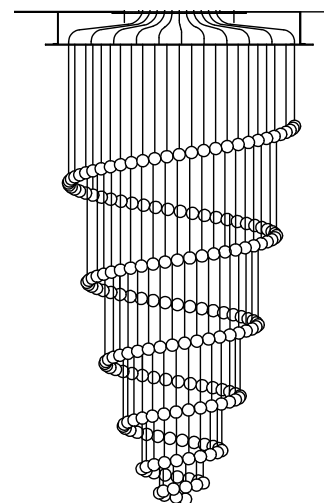
Smart SQ light is ideal for illuminating kitchen units and showcases. Surface mounted, height only 8 mm.

Thanks to its minimum height, the light can be installed in the lower surface of a kitchen cupboard, leading the cable to the back wall behind the shelf. The light is equipped with a 1.8 m connecting cable with a quick-connect fitting in the end for serial connection.

KIMMEL

FIBRE OPTIC CHANDELIERS WITH INTEGRATED LED PROJECTOR

Code	Type	Height	Diameter	WT	Crystals
1527810	Kimmel 1	180 cm	56 cm	11 kg	150
1527811	Kimmel 2	250 cm	66 cm	13 kg	200
1527812	Kimmel 3	350 cm	66 cm	25 kg	200
1527813	Kimmel 4	350 cm	98 cm	32 kg	250
1527814	Kimmel 5	450 cm	98 cm	34 kg	250



The fibre optic chandelier is comprising preinstalled threadlite tails fitted to a metal recessed base and applied with crystal fittings to form a ready-to-install chandelier package. Led projectors are integrated inside the luminaire.



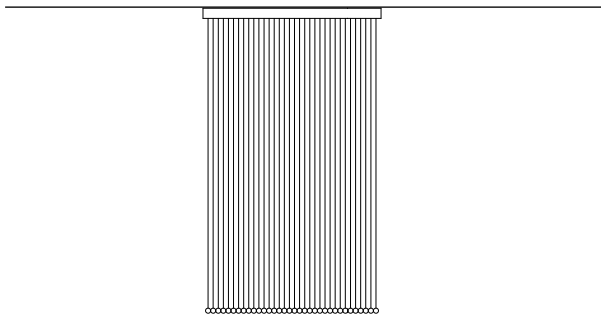
PIRTA

Code	Type	Height	Width	WT	Crystals
1527827	Flat 0.8	200 cm	80 cm	17 kg	80
1527826	Flat 1.2	200 cm	120 cm	26 kg	120
1527829	Flat 1.6	200 cm	160 cm	34 kg	160

CURTAIN PARTITIONS WITH INTEGRATED LED PROJECTOR

The fibre optic curtain partition is comprising preinstalled threadlite tails fitted to a metal recessed base and applied with crystal fittings to form a ready-to-install curtain package. Led projectors are integrated inside the luminaire.

The curtain partition can be installed on a ceiling or wall, to be specified upon order. Other lengths are available on order.



Pirta Flat





STARLIGHT SETS

Cariitti Starlight sets include a projector and fibres. Some projectors have twinkle effect which makes the starlight slowly twinkle. Starlight sets are also available with crystals which create an even more beautiful effect.

Installation of a starlight set is possible also in ready premises with help of installation panels. The panels are made of light, fire resistant PIR foam. The panel is installed on the ceiling with small hooks and wires.

STARRY SKY SIZE RECOMMENDATION

SURFACE AREA	1-2 m ²	2 - 3 m ²	3 - 4 m ²	4 - 6 m ²	6 - 10 m ²	10 - 20 m ²
THESE NUMBERS ARE RECOMMENDATIONS. BY USING CRYSTALS THE NUMBER OF FIBRE STRANDS CAN BE REDUCED.	75 pcs	100 pcs	150 pcs	200 pcs	300 pcs	400 - 650 pcs

INSTALLATION PANELS



PANEL 1340x1340x75
Code 1589036

PANEL 2540x1340x75
Code 1589037

Installation panels are ready-to-install elements, available in sizes 1340x1340 mm and 2540x1340 mm. You can select various lights for the panel, the combination of a starlight and downlights, as an example. You can also install indirect light above the panel. The panel board, edge boards, hanging accessories and lighting are also available separately.

VPL10 SETS WITH 75 FIBRES

2,5 m	3,0 m	3,5 m	4,0 m	Total stars	Fibre	Type	Code
			75	75	CK 0,75 mm	VPL10L-75	1527401
			75	75	CK 0,75 mm	VPL10K-75	1527403

These sets include a plastic fibre harness and a VPL10 projector with 1W Led as the light source. Projector VPL10L has a warm Led and projector VPL10K a cold Led - choose your favorite.



VPL 20 STANDARD SETS

2,0 m	2,5 m	3,0 m	3,5 m	4,0 m	Total stars	Fibre	Type	Code
25	25	25			75	CK 0,75 mm	VPL20L-CEP75	1527450
25	25	25			75	CK 0,75 mm	VPL20K-CEP75	1527451
25	50	25			100	CK 0,75 mm	VPL20L-CEP100	1527452
25	50	25			100	CK 0,75 mm	VPL20K-CEP100	1527453
50	50	50			150	CK 0,75 mm	VPL20L-CEP150	1527454
50	50	50			150	CK 0,75 mm	VPL20K-CEP150	1527455
25	50	50	50	25	200	CK 0,75 mm	VPL20L-CEP200	1527456
25	50	50	50	25	200	CK 0,75 mm	VPL20K-CEP200	1527457



These sets include a plastic fibre harness and a VPL 20 projector with a 12 W Led as the light source. Projector VPL20L has a warm Led and projector VPL20K a cold Led - choose your favorite.

VPL30 STANDARD SETS

2,0 m	2,5 m	3,0 m	3,5 m	4,0 m	4,5 m	Total stars	Fibre	Type	Code
25	25	25				75	CK 0,75 mm	VPL30T-CEP75	1527600
25	50	25				100	CK 0,75 mm	VPL30T-CEP100	1527601
50	50	50				150	CK 0,75 mm	VPL30T-CEP150	1527602
25	50	50	50	25		200	CK 0,75 mm	VPL30T-CEP200	1527603
25	50	75	75	50	25	300	C-Flex	VPL30T-300	1527608



These sets include a plastic fibre harness and a projector with white LEDs as the light source. The projector has a twinkle effect (T) that makes the stars slowly twinkle imitating the real starry sky.

2,0 m	2,5 m	3,0 m	3,5 m	4,0 m	4,5 m	Total stars	Fibre	Type	Code
25	25	25				75	CK 0,75 mm	VPL30CT-CEP75	1527604
25	50	25				100	CK 0,75 mm	VPL30CT-CEP100	1527605
50	50	50				150	CK 0,75 mm	VPL30CT-CEP150	1527606
25	50	50	50	25		200	CK 0,75 mm	VPL30CT-CEP200	1527607
25	50	75	75	50	25	300	C-Flex	VPL30CT-300	1527609



These sets include a plastic fibre harness and a projector with blue LEDs as the light source. The projector has a bluetwinkle effect (CT) that makes the stars slowly twinkle in bluish colours imitating the real starry sky.

VPL30 CRYSTAL STAR

2,0 m	2,5 m	3,0 m	3,5 m	Total stars	Fibre	Type	Code
25 / 4	25 / 5	25 / 5	25 / 4	118	CK 0,75 / C-Flex 3	VPL30T Crystal Star Chrome	1527610
25 / 4	25 / 5	25 / 5	25 / 4	118	CK 0,75 / C-Flex 3	VPL30T Crystal Star Gold	1527611
25 / 4	25 / 5	25 / 5	25 / 4	118	CK 0,75 / C-Flex 3	VPL30CT-Crystal Star Chrome	1527612
25 / 4	25 / 5	25 / 5	25 / 4	118	CK 0,75 / C-Flex 3	VPL30CT-Crystal Star Gold	1527613



Crystal Star sets include a plastic fibre harness with 100 pcs of thin (0,75mm) fibres and 18 pcs of thicker (3mm) fibres with Crystal fittings, 6 x CR-12, 6 x CR-16 and 6 x CR-31. The light sources of the projector are white Leds with twinkle effect (T) or blue Leds with bluetwinkle effect (CT).

VPL10 CRYSTAL STAR

Power	Fibre length 4.0 m	Total stars	Fibre	Type	Code
1 W / 4000 K	75	75	CK 0,75 mm	VPL10K-75 Chrome	1527412
1 W / 3000 K	75	75	CK 0,75 mm	VPL10L-75-Gold	1527413



These sets include a plastic fibre harness , projector VPL10 and 7 Led crystals: 2 x CR-12, 3 x CR-16 and 2 x CR-31.

ADDITION TO VPL10K CRYSTAL STAR

Code 1527414

- Includes 75 fibres, each 4 m long.
- Power supply not included.
- Can be used with VPL10K Crystal Star only.





BATHROOM LIGHTING

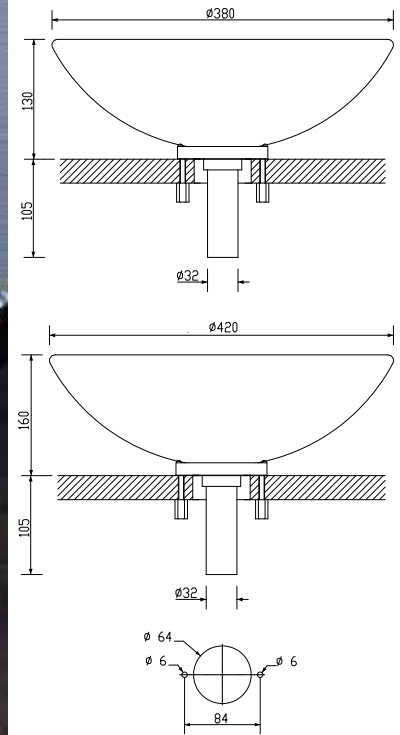
In Cariitti bathroom creations, traditional lighting fixtures are replaced by Led illuminated soap cups, toilet paper holders and towel hooks.

GLASS BASIN ø 380

Code 1545672
 Max. power 6 W, IP67
 A 5 m connecting cable included.
 Complete kit, a power supply IP20 included.

GLASS BASIN ø 420

Code 1545673
 Max. power 6 W, IP67
 A 5 m connecting cable included.
 Complete kit, a power supply IP20 included.



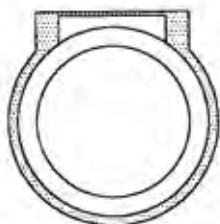
• Sizes Ø 380 and 420 mm

Recommended ambient temperature from -30°C to +40°C.

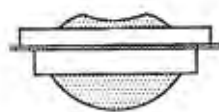
SC-100

SC-100
 Code 1545607

- 1 W, 350 mA
- Satin glass 19 mm
- Installation hole ø 14 mm
- A 5 m connecting cable included
- Power supply to be ordered separately, see page 81
- IP44



ø 110 mm

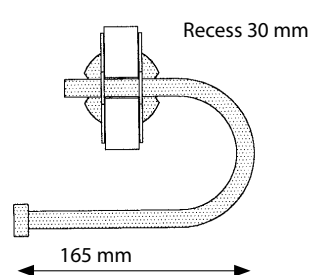


Recess 30 mm

TH-100

TH-100
 Code 1545608

- 1 W, 350 mA,
- Satin glass
- Installation hole ø 14 mm
- A 5 m connecting cable included
- Power supply to be ordered separately, see page 81
- IP44



Recess 30 mm

165 mm



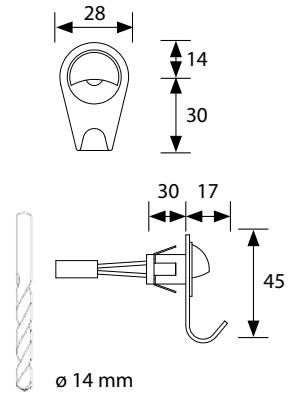
These Led lights are easy to install. Installing hole \varnothing 14 mm. Led 1 W / 350 mA, IP44. NB! Serial connection only. Power supply to be ordered separately, see page 81.



GP TOWEL HOOK

GP Towel hook
Code 1545665

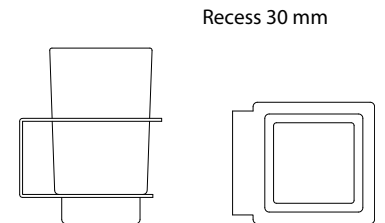
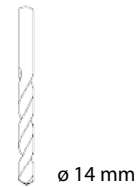
- Stainless steel
- IP44



TBC65

TBC65
Code 1545667

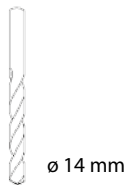
- Stainless steel
- Satin glass
- 83 x 83 x 120 mm
- A 5 m connecting cable included
- IP44



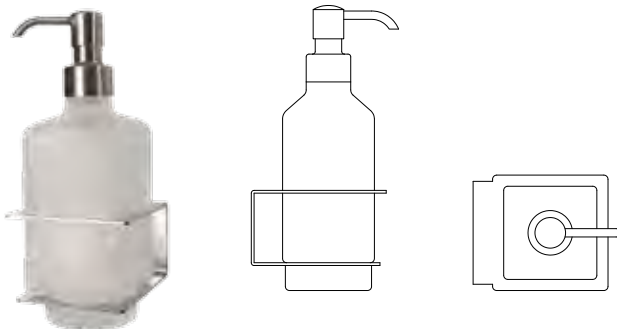
SP65

SP65
Code 1545666

- Stainless steel
- Satin glass
- 83 x 83 x 155 mm
- A 5 m connecting cable included
- IP44



Recess 30 mm



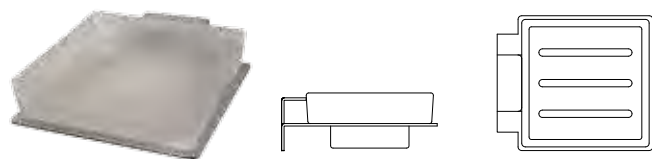
SCQ100

SCQ100
Code 1545668

- Stainless steel
- Satin glass
- 125 x 110 x 45 mm
- A 5 m connecting cable included
- IP44



Recess 30 mm



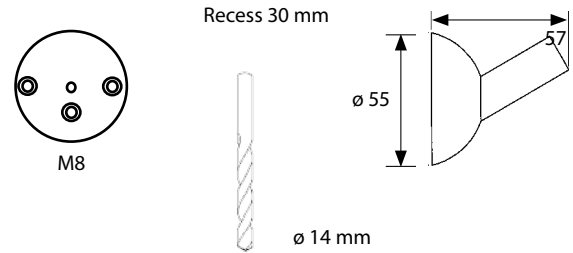
These Led lights are easy to install. Installing hole \varnothing 14 mm. Led 1 W / 350 mA, IP44. NB! Serial connection only.



CRB-30

CRB-30
Code 1545677

- Stainless steel
- Satin glass
- Power supply to be ordered separately, see page 81
- IP44





STEAM ROOM LIGHTING

Cariitti steam room lights are Led lights, rated IP67. The selection includes various crystal lights, sconces and traditional downlights.



These Led lights are easy to install, IP67. NB! Serial connection only. 3000 K.

KIHLA IP67

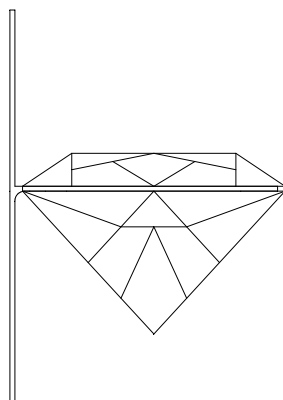
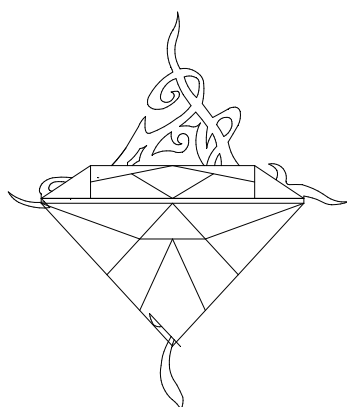
KIHLA
Code 1545184



- 1 W / 350 mA
- Lead-free crystal
- Stainless steel
- Equipped with a 5 m connection cable
- Power supply to be ordered separately, see page 81
- IP67

- Dimensions: H 175 x W 155 x D 94 mm

Design: Frida Lindström



KIHLA GOLD IP67

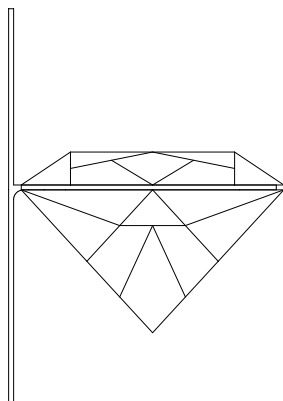
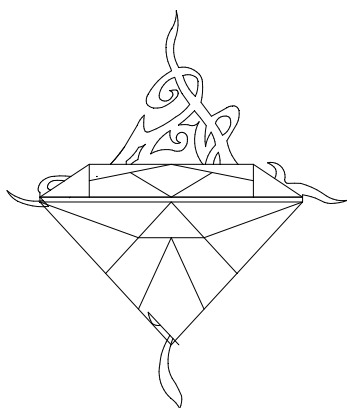
KIHLA Gold
Code 1545185



- 1 W / 350 mA
- Lead-free crystal
- Gold-plated brass
- Equipped with a 5 m connection cable
- Power supply to be ordered separately, see page 81
- IP67

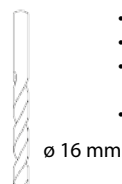
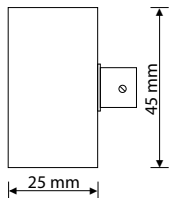
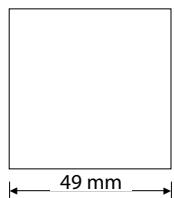
- Dimensions: H 175 x W 155 x D 94 mm

Design: Frida Lindström



These Led lights are easy to install, IP67. NB! Serial connection only. 3000 K.

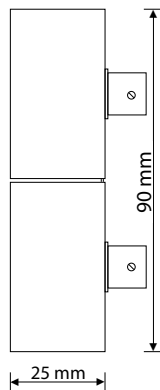
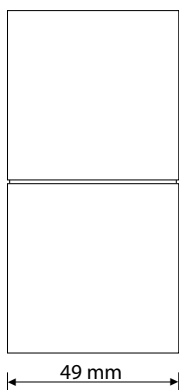
SY IP67



- SY Stainless steel
Code 1545170
- SY Gold
Code 1545171

- 1 W / 350 mA
- SY gives light up or down
- Equipped with a 5 m connection cable
- Power supply to be ordered separately, see page 81
- IP67

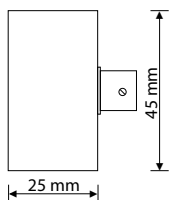
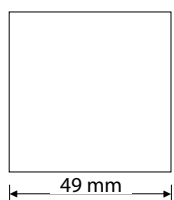
SX II IP67



- SX II Stainless steel
Code 1545191
- SX II Gold
Code 1545192 • Snro 4131232

- 2 x 1 W / 350 mA
- SX gives light up and down
- Equipped with two 5 m connection cables
- Power supply to be ordered separately, see page 81
- IP67

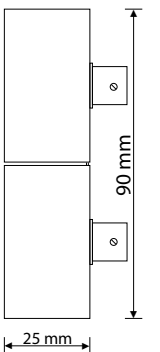
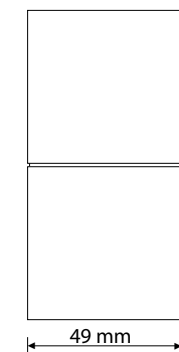
SY SQ IP67



- SY SQ Stainless steel
Code 1545230
- SY SQ Gold
Code 1545231

- 1 W / 350 mA
- SY gives light up or down
- Equipped with a 5 m connection cable
- Power supply to be ordered separately, see page 81
- IP67

SX II SQ IP67



- SX II SQ Stainless steel
Code 1545232
- SX II SQ Gold
Code 1545233

- 2 x 1 W / 350 mA
- SX gives light up and down
- Equipped with two 5 m connection cables
- Power supply to be ordered separately, see page 81
- IP67

These Led lights are easy to install, IP67. NB! Serial connection only. 3000 K.

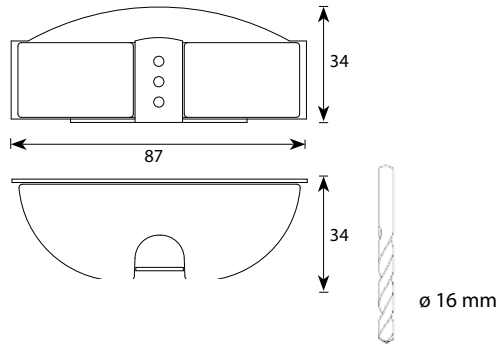
LIGHTHOUSE IP67

LH-100 Led
Code 1545164



Stainless steel
Satin glass

- 1 W/350 mA
- Equipped with a 5 m connection cable
- Power supply to be ordered separately, see page 81
- Recess 40 mm
- IP67



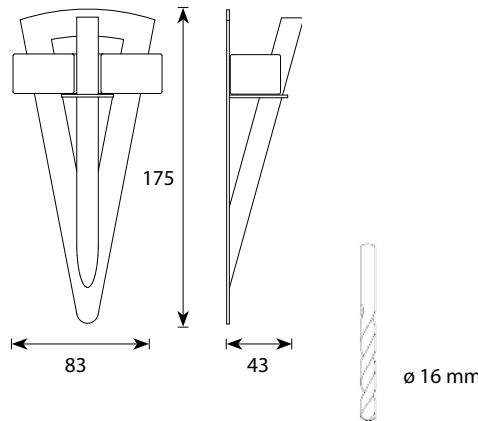
TORCH WITH ACRYLIC PIN IP67

TL-100 Acryl
Code 1545165



Stainless steel
Satin glass

- 1 W/350 mA
- Equipped with a 5 m connection cable
- Power supply to be ordered separately, see page 81
- Recess 40 mm
- IP67



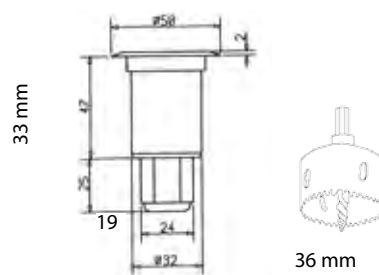
S-PAVER 3200 IP68

S-PAVER 3200 IP68
Code 1553034



- 1 W/350 mA
- Ideal for steam room lighting
- Equipped with a 5 m connection cable
- Power supply to be ordered separately, see page 81
- Available also in ready-made kits, see p. 63
- IP 68

NB! All S-Paver fittings are delivered with both clear and satin glass.



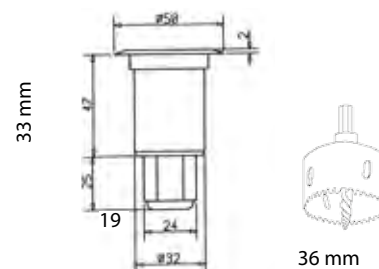
S-PAVER 3200 GOLD IP68

S-PAVER 3200 Gold IP68
Code 1545217



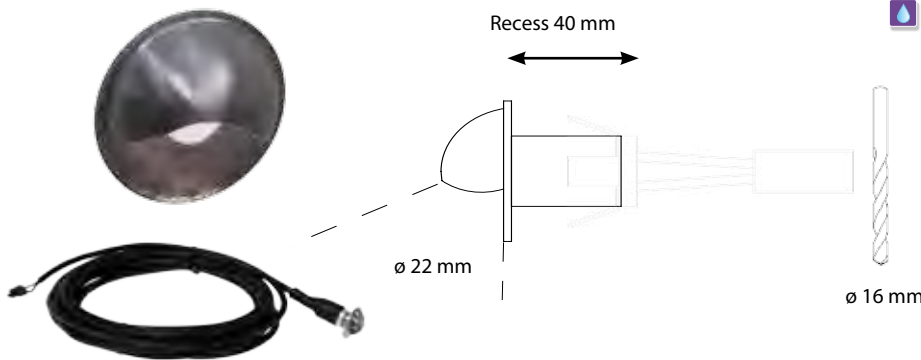
- 1 W/350 mA
- Ideal for steam room lighting
- Equipped with a 5 m connection cable
- Power supply to be ordered separately, see page 81
- IP 68

NB! All S-Paver fittings are delivered with both clear and satin glass.



These Led lights are easy to install, IP67. NB! Serial connection only. 3000 K.

GP-65 IP67



GP-65 IP67
Code 1545167 Stainless steel

- 1 W / 350 mA
- Directs light downwards and is ideal e.g. for terraces and steam rooms
- Equipped with a 5 m connection cable
- Power supply to be ordered separately, see page 81
- IP67

GP-65 KIT 6 IP67



GP-65 KIT 6 IP67
Code 1545193

The KIT includes 6 pcs of GP-65 Led lights with 5 m connection cables and a connection box with a power supply and serial connection module.

- 6 x 1 W/350 mA
- Directs light downwards and is ideal e.g. for terraces and steam rooms

NEO IP67

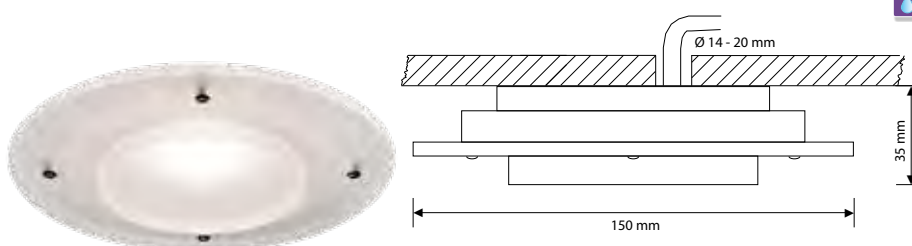


NEO GOLD IP67
Code 1545234

NEO CHROME IP67
Code 1545237

- 3 W / 350mA
- Satin glass
- Diameter 74 mm
- Installation hole 55 - 60 mm
- Recess 50 mm
- Equipped with a 5 m connection cable
- Power supply to be ordered separately, see page 81
- IP 67

KUU SATIN IP67



KUU SATIN IP67
Code 1545238

Acrylic frame
Satin glass

- 3 W / 350mA or 6 W / 700mA
- Equipped with a 5 m connection cable
- Power supply to be ordered separately, see page 81
- IP 67

These Led lights are easy to install, IP67. NB! Serial connection only. 3000 K.

CR-05 LED IP67

CR-05 Led
 Code 1545215 Satin Chrome
 Code 1545216 Clear Chrome
 Code 1545218 Satin Gold
 Code 1545219 Clear Gold

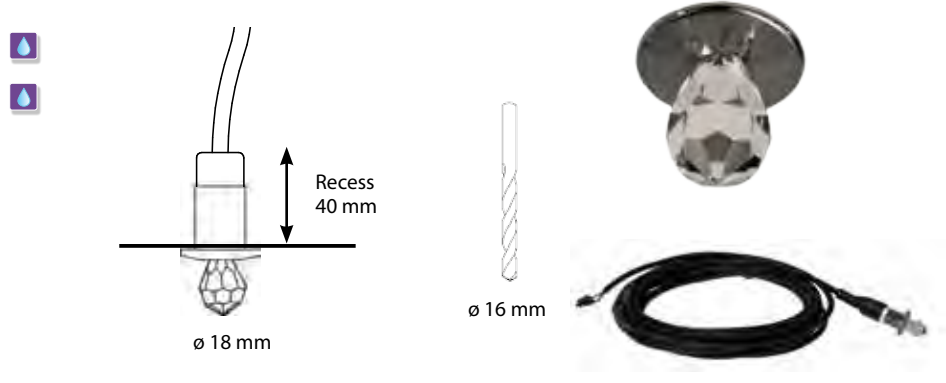
- 1 W / 350 mA
- Equipped with a 5 m connection cable
- Power supply to be ordered separately, see page 81
- IP67



CR-16 LED IP67

CR-16 Led
 Code 1545235 Gold
 Code 1545236 Chrome

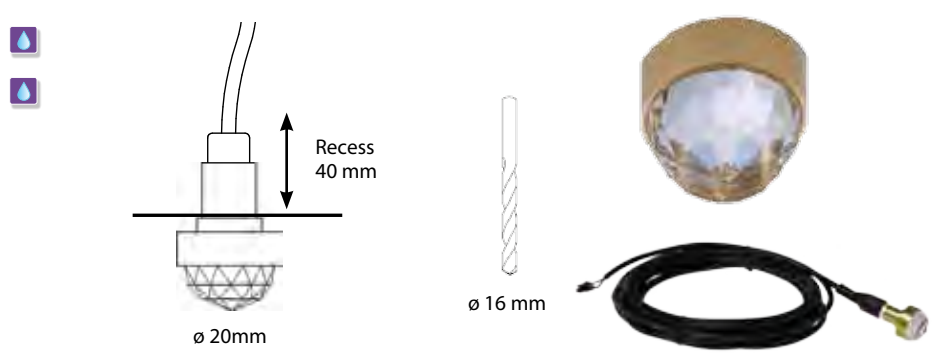
- 1 W / 350 mA
- Equipped with a 5 m connection cable
- Power supply to be ordered separately, see page 81
- IP67



CR-20 LED IP67

CR-20 Led
 Code 1545187 Gold
 Code 1545186 Chrome

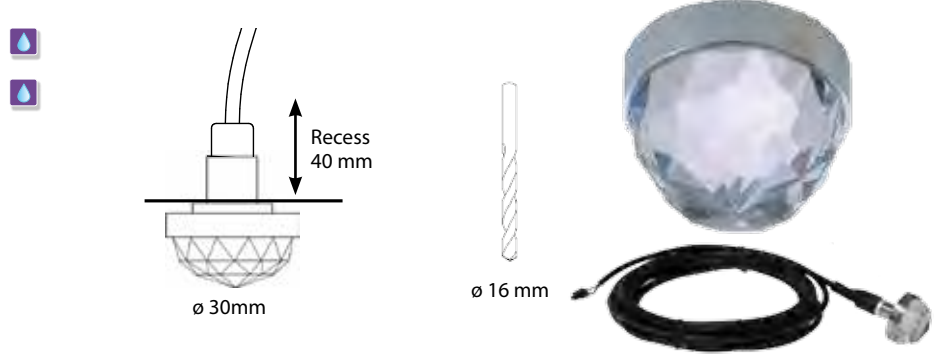
- 1 W / 350 mA
- Equipped with a 5 m connection cable
- Power supply to be ordered separately, see page 81
- IP67



CR-30 LED IP67

CR-30 Led
 Code 1545189 Gold
 Code 1545188 Chrome

- 1 W / 350 mA
- Equipped with a 5 m connection cable
- Power supply to be ordered separately, see page 81
- IP67





SAUNA LIGHTING SETS

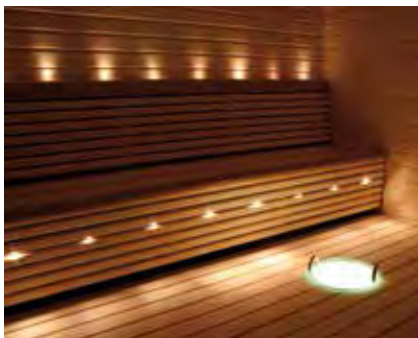
Cariitti sauna lighting systems are the most comprehensive and advanced solutions on the market for sauna illumination as well as fibre optic sets with various effects. We also have a wide range of sets for saunas unlimited - use your imagination. In addition to standard sauna sets we produce individual




the market. Our product range includes standard sets for Sauna seat and ceiling
sauna fibre optic fittings. With Cariitti fibre optic illumination the possibilities are
al solutions and lengths to order.

Glass fibre Sauna Seat Sets enable you to create illumination even in existing saunas. In addition to standard seat sets, individual solutions can be designed by freely combining fibres, projectors and lighting fittings. All sauna lighting fittings can be installed to fibres with a crimpable ferrule (1538020, page 60) which comes with the fitting.





SEAT SETS



Size recommendation	Lengths S-Flex 2 (S-Flex 4)	Type	Lens	Code
1 - 4 m ²	4 x 1.4 m 4 x 1.7 m 2 x 2.0 m (1 x 4.0 m)	VPL30-G211		1516530
2 - 5 m ²	4 x 1.4 m 4 x 1.7 m 4 x 2.0 m 2 x 2.3 m 2 x 2.6 m (1 x 4.0 m)	VPL30-G217		1516531
3 - 6 m ²	4 x 1.4 m 4 x 1.7 m 4 x 2.0 m 4 x 2.3 m 2 x 2.6 m 2 x 2.9 m 2 x 3.2 m (1 x 4.0 m)	VPL30-G223		1516532
4 - 8 m ²	4 x 1.4 m 4 x 1.7 m 4 x 2.0 m 4 x 2.3 m 4 x 2.6 m 2 x 2.9 m 2 x 3.2 m 2 x 3.5 m 2 x 3.8 m (1 x 4.0 m)	VPL30-G229		1516533

SEAT SETS WITH COLOUR CHANGE



Size recommendation	Lengths S-Flex 2 (S-Flex 4)	Type	Lens	Code
1 - 4 m ²	4 x 1.4 m 4 x 1.7 m 2 x 2.0 m (1 x 4.0 m)	VPL30C-G211		1516610
2 - 5 m ²	4 x 1.4 m 4 x 1.7 m 4 x 2.0 m 2 x 2.3 m 2 x 2.6 m (1 x 4.0 m)	VPL30C-G217		1516611
3 - 6 m ²	4 x 1.4 m 4 x 1.7 m 4 x 2.0 m 4 x 2.3 m 2 x 2.6 m 2 x 2.9 m 2 x 3.2 m (1 x 4.0 m)	VPL30C-G223		1516612
4 - 8 m ²	4 x 1.4 m 4 x 1.7 m 4 x 2.0 m 4 x 2.3 m 4 x 2.6 m 2 x 2.9 m 2 x 3.2 m 2 x 3.5 m 2 x 3.8 m (1 x 4.0 m)	VPL30C-G229		1516613

Glass fibre Sauna Lighting Sets can be installed in the sauna benches or ceiling (temperature not exceeding 180°C). In addition to standard lighting sets, individual solutions can be designed by freely combining fibres, projectors and lighting fittings. Led projectors ensure a low energy consumption and a very long lifetime. They are completely silent and produce just a small amount of heat. A high Ra index >90 together with a warm 3000 K Led ensures an atmospheric sauna lighting.

CEILING SETS



Sauna size recommendation	Lengths	Locking rings	Lens	Ferrule	Active ø	Type Code
1 - 4 m ²	1 x 2.5 m 2 x 3.0 m 1 x 3.5 m 1 x 3.5 m			M5 M5 M5 M8	2 mm 2 mm 2 mm 4 mm	VPL20-B532 1516200
3 - 5 m ²	2 x 2.0 m 3 x 2.5 m 2 x 3.0 m			M5 M5 M5	3 mm 3 mm 3 mm	VPL20-F325 1516201
3 - 5 m ²	2 x 3.0 m 3 x 3.5 m 2 x 4.0 m			M5 M5 M5	3 mm 3 mm 3 mm	VPL20-F335 1516202
3 - 5 m ²	15 x 3.0 m 7 x 3.0 m 1 x 3.0 m			ø3 M5 M8	1 mm 2 mm 4 mm	VPL20-M233 1516203
3 - 5 m ²	2 x 2.5 m 3 x 3.0 m 2 x 3.5 m 1 x 3.5 m			M5 M5 M5 M5	2 mm 2 mm 2 mm 3 mm	VPL20-S832 1516204
4 - 6 m ²	5 x 3.5 m 5 x 4.0 m 1 x 3.5 m			M5 M5 M8	2 mm 2 mm 4 mm	VPL20-N211 1516205
5 - 10 m ²	2 x 2.0 m 3 x 3.0 m 3 x 4.0 m 2 x 5.0 m 1 x 4.0 m			M5 M5 M5 M5 M8	3 mm 3 mm 3 mm 3 mm 6 mm	VPL20-L114 1516206
5 - 10 m ²	5 x 3.5 m 5 x 4.0 m 5 x 4.5 m 5 x 5.0 m 1 x 3.5 m			M5 M5 M5 M5 M8	2 mm 2 mm 2 mm 2 mm 4 mm	VPL20-N221 1516207

VPL10 IP55 SAUNA LIGHTING SETS



VPL10 - E511 1W
Code 1524011

- S-Flex 1.5: 5 x 2.5 m
- S-Flex 2: 1 x 4.5 m

VPL10 - E161 1W
Code 1524010

- S-Flex 1.5: 5 x 1.5 m, 6 x 2.0 m, 5 x 2.5 m
- Not dimmable
- 230V / 1W / 350 mA / IP55
- 3.000 K / Ra >85
- Stove lens included

NORTHERN LIGHTS SETS WITH PROJECTOR VPL30NL



Sauna size recommendation	Fibres ø 7 mm + Linear 1 m	Type	Code
1 - 4 m ²	1 x 1.2 m + Linear 1 x 2.2 m + Linear	VPL30NL - N2M	1516620
3 - 6 m ²	2 x 1.2 m + Linear 2 x 2.2 m + Linear	VPL30NL - N4M	1516621



FIRE FLAME SET WITH PROJECTOR VPL30FL



3 - 5 m ²	10 x 3.0 m			M5	2 mm	VPL30FL-F310 1516630
----------------------	------------	--	--	----	------	-------------------------



SAUNA LINEAR FITTING



SAUNA LINEAR FITTING
Code 1516607

- Installation to the wall or under the benches
- Suitable for an optic fibre or Led
- 1-2 x S-Flex 4 – 6 M8
- 1-2 x 1516608 or 1516609
- Length 1 m
- Installation height max 1.5 m above the floor
- Anodized aluminium

LED LIGHT SOURCES FOR SAUNA LINEAR FITTING



LED LIGHT SOURCE WHITE
Code 1516608



POWER SUPPLY MAX 2 LINEARS
Code 1545240



POWER SUPPLY MAX 4 LINEARS
Code 1545241

LED LIGHT SOURCE RGBW
Code 1516609

POWER SUPPLY MAX 5 RGBW LINEARS
Code 1545242

- Not dimmable, IP67
- Installation height max 1 m above the floor

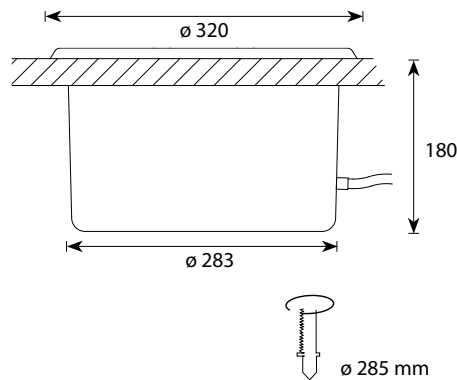
- Not dimmable, IP55
- Installation height max 1 m above the floor

- Cable length 5 m
- Installation height max 1.5 m above the floor
- IP 55

IB320 LED ILLUMINATED BOWL

WITHOUT HANDLES • Code 1545838
 WITH HANDLES • Code 1545200
 WITH WATER OUTLET • Code 1545220
 WITH OUTLET VALVE • Code 1545221

- 1 W / 350 mA
- Power supply included
- Cable length 5 m
- Installation height max 1 m above the floor
- Frosted glacier green acryl (satin)
- IP 67



LIGHT COLLARS FOR SAUNA HEATERS

Code 1545860
 HELO ROCHER Heater, max. 19 fibres

Code 1545851
 HARVIA KIVI Heater, max. 18 fibres

Glass fibre harness and projector to be ordered separately.

Code 1545652
 UNIVERSAL FIBRE HOLDER

1 x S-Flex 2-3 M5



S-Flex 2-3 M5



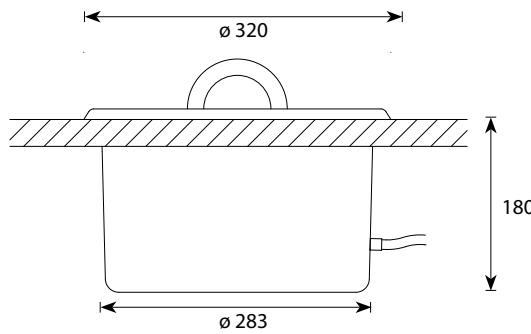
CANDELA

Code 1545250

- 1 x S-Flex 4 - 6 M8
- Plywood 13 mm
- Size H715 x W420 x D13 mm



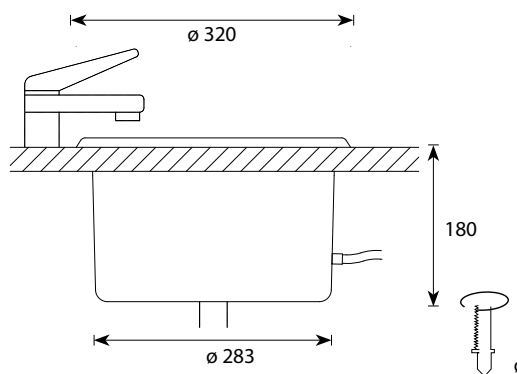
IB320 BOWL WITH WOODEN HANDLES



IB320 BOWL with wooden handles
Code 1545805

- 1 - 4 x S-Flex 3 - 6 M8
- 1 - 4 x C-Flex 3 - 6 M8
- Frosted glacier green acryl (satin)

IB320 BOWL WITH WATER OUTLET



IB320 BOWL with water outlet

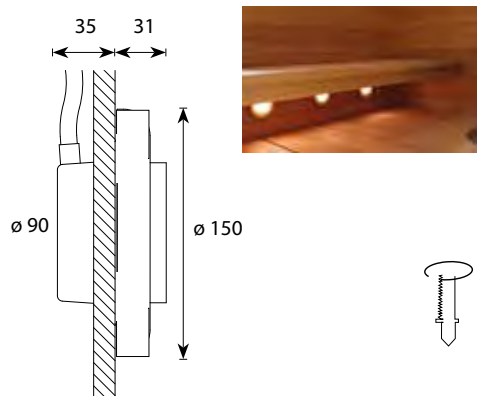
Code 1545804

- 1 - 4 x S-Flex 3 - 6 M8
- 1 - 4 x C-Flex 3 - 6 M8
- Frosted glacier green acryl (satin)
- Water accessories not included

Code 1545826

- 1 - 4 x S-Flex 3 - 6 M8
- 1 - 4 x C-Flex 3 - 6 M8
- Frosted glacier green acryl (satin)
- Outlet valve included

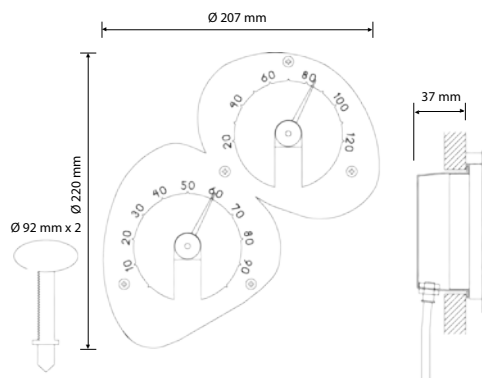
SCA



SCA
Code 1545803

- 1 x S-Flex 4 - 6 M8
- Wooden frame
- Satin glass
- Crimpable ferrule M8 included

THERMOMETER-HYGROMETER



THERMOMETER-HYGROMETER
Code 1545822

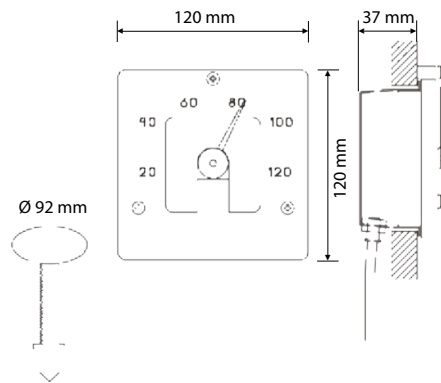
- 2 x S-Flex 2 - 4 M8
- Stainless steel
- Crimpable ferrules M8 included

Design: Frida Lindström

THERMOMETER SQ

THERMOMETER SQ
Code 1545828

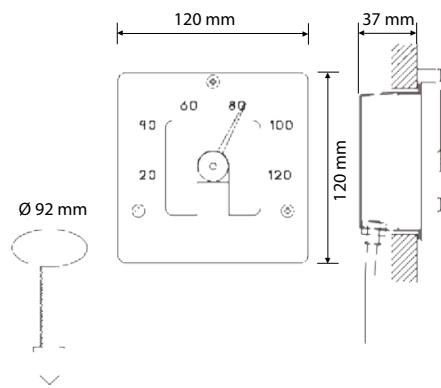
- 1 x S-Flex 2 - 4 M8
- Stainless steel
- Crimpable ferrule M8 included



HYGROMETER SQ

HYGROMETER SQ
Code 1545849

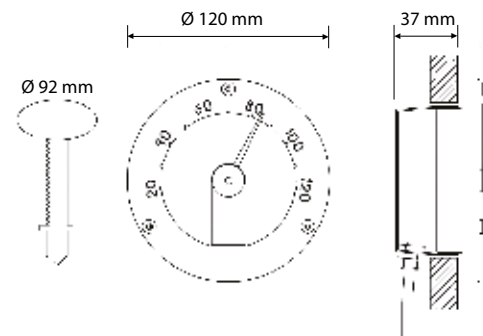
- 1 x S-Flex 2 - 4 M8
- Stainless steel
- Crimpable ferrule M8 included



THERMOMETER

THERMOMETER
Code 1545812

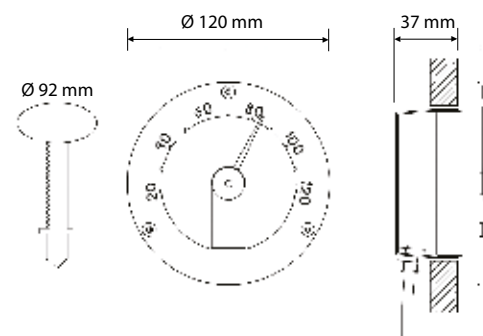
- 1 x S-Flex 2 - 4 M8
- Stainless steel
- Crimpable ferrule M8 included



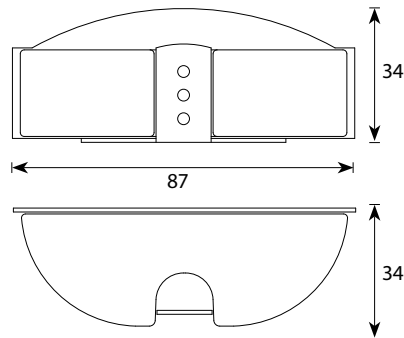
HYGROMETER

HYGROMETER
Code 1545820

- 1 x S-Flex 2 - 4 M8
- Stainless steel
- Crimpable ferrule M8 included



LIGHTHOUSE

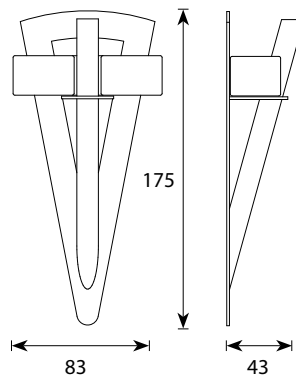


LH-100
Code 1545802

- 1 x S-Flex 3 - 4 M8
- Stainless steel
- Satin glass
- Crimpable ferrule M8 included



TORCH

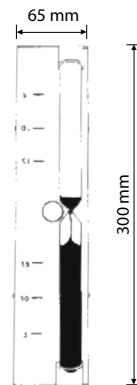


TL-100
Code 1545801

- 1 x S-Flex 3 - 4 M8
- Stainless steel
- Satin glass
- Crimpable ferrule M8 included



SAND TIMER

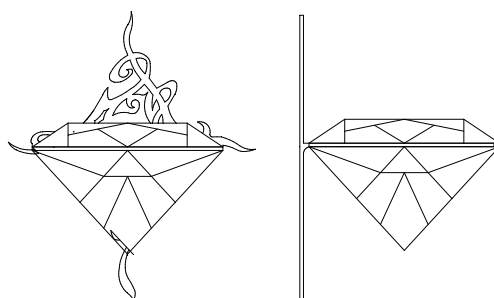


SAND TIMER
Code 1545827

- 1 x S-Flex 3 - 4 M8
- Stainless steel
- Glass
- Crimpable ferrule M8 included



KIHLA



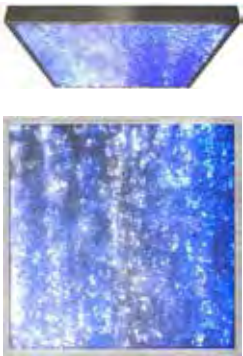
KIHLA
Code 1545830 Stainless steel
Code 1545831 Gold

- 1 x S-Flex 3 - 4 M8
- Stainless steel or gold-plated brass
- Size H175 x W155 x D94 mm
- Crimpable ferrule M8 included

Design: Frida Lindström



ARCTIC CLOUD

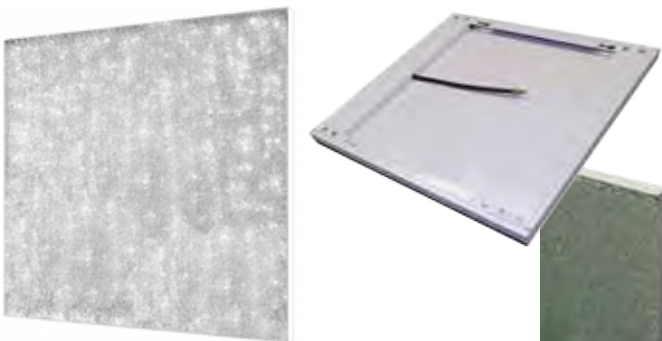


ARCTIC CLOUD
Code 1589038

Ceiling light panel, made of crushed glass, size 300 x 300 x 25 mm. Depending on the chosen projector you can create effects like fire flame, northern lights or colour change. With clear white light the panel looks like crushed ice.

1 x S-Flex 4 M8

ARCTIC SKY



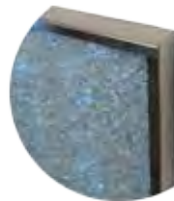
ARCTIC SKY
Code 1589030

Crushed glass panel 500 x 500 x 30 mm, like a painting. To be illuminated with one 6 mm fibre, installed in the middle back side of the panel. Can be installed on a sauna wall. A dashing and therapeutic element that changes character according to the chosen light effect.

Depending on the chosen projector you can create effects like fire flame, northern lights or colour change. With clear white light the panel looks like crushed ice.

1 x S-Flex 6 M8

FANTASIA



FANTASIA
Code 1589017

Crushed glass panel 1000 x 500 x 35 mm is like a painting. Fantasia is illuminated with two 6 mm fibres and it can be installed in a sauna behind an electric heater. A dashing and therapeutic element that changes character according to the chosen light effect.

Depending on the chosen projector you can create effects like fire flame, northern lights or colour change. With clear white light Fantasia looks like crushed ice.

2 x S-Flex 6 M8



Fittings are easy to install. Colours gold, chrome and white. Installation surface min. 6 mm. At the end of a fibre, the light angle is approx. 40-60°. With a lens fitting, the light can be focused in a 25-35° angle depending on the lens.

LR-M5

Code 1538008 Gold
Code 1538011 Chrome



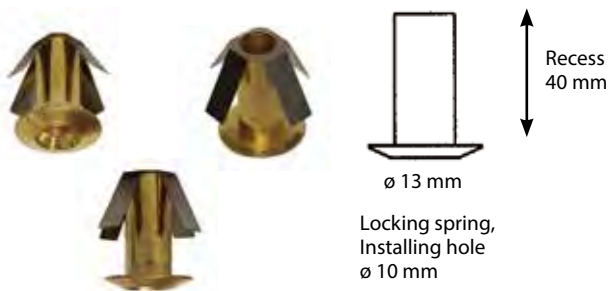
LR-M8

Code 1538005 Gold
Code 1538010 Chrome



CR-01 M5

Code 1540048 Gold
Code 1540049 Chrome



CR-02 M8

Code 1540050 White
Code 1540051 Gold
Code 1540052 Chrome



CR-09 M5

Code 1540082 Gold
Code 1540083 Chrome



CR-05 M8

Code 1540053 Gold, clear
Code 1540054 Chrome, clear
Code 1540100 Gold, satin
Code 1540101 Chrome, satin
Code 1540104 White, clear
Code 1540105 White, satin



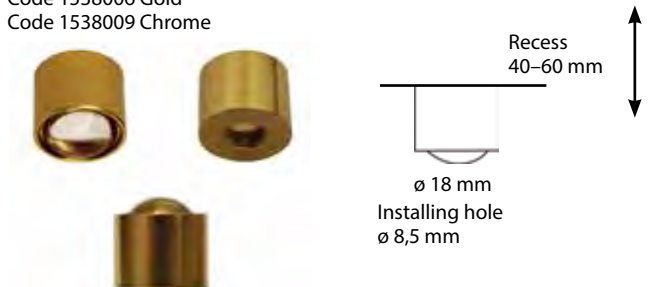
EXTENDABLE FERRULE M5 / M8

Code 1548405
• Extendable ferrule, converts 5 mm ferrule to 8 mm



CR-18 M8

Code 1538006 Gold
Code 1538009 Chrome



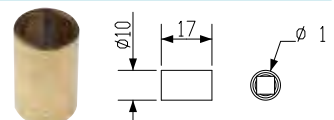
CRIMPABLE FERRULE M8

Code 1538020
• Extendable ferrule converts crimped or 5 mm ferrule to 8 mm



COLOUR FILTER FERRULE M8

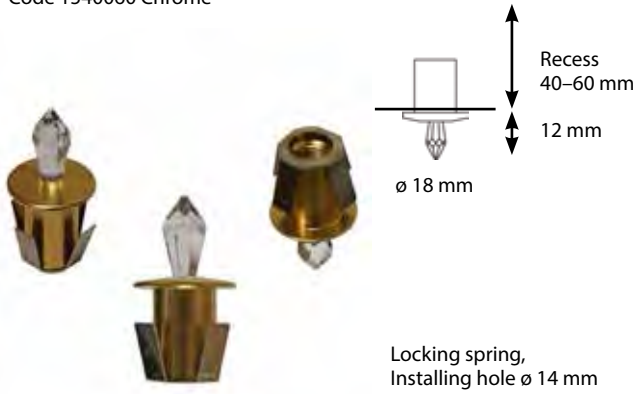
Code 1548020
Filter colour to be specified when ordering



Crystals are easy to install with the enclosed locking spring. Installing hole \varnothing 14 mm. Colours gold and chrome. Installation surface min. 6 mm. Fibre recommendation C-Flex 4 – 6 M8. At the end of a fibre, the light angle is approx. 40-60°. The decorative crystal fittings can spread out the light by as much as 180°.

CRYSTAL 12

CR-12
Code 1540059 Gold
Code 1540060 Chrome



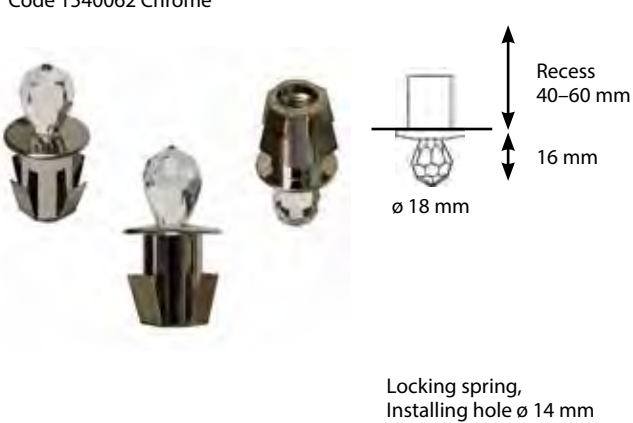
CRYSTAL 43

CR-43
Code 1540065 Gold
Code 1540066 Chrome



CRYSTAL 16

CR-16
Code 1540061 Gold
Code 1540062 Chrome



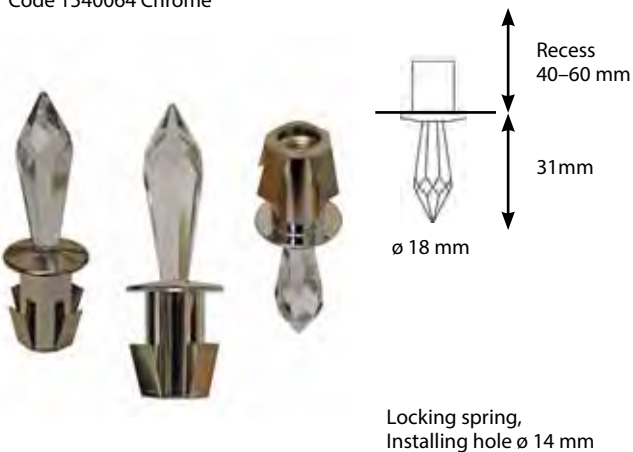
CRYSTAL 20

CR-20
Code 1540071 Gold
Code 1540072 Chrome



CRYSTAL 31

CR-31
Code 1540063 Gold
Code 1540064 Chrome



CRYSTAL 30

CR-30
Code 1540073 Gold
Code 1540074 Chrome





LIGHTS FOR OUTDOOR AND UNDERWATER USE

With Cariitti outdoor lights you can create beautiful lighting in your garden. Cariitti products illuminate paths and plants and emphasize details better than any traditional lights . There are many options from ground lights to wall and eaves lights.

LED LIGHTS FOR OUTDOOR AND UNDERWATER USE

NB! Serial connection only. Luminaire equipped with a 5 m connection cable. Power supply to be ordered separately, see page 81. Also available a ready-to-install extension cable length 5 m (with IP67 connector), code 1532242.

S-PAVER

S-PAVER 3200
Code 1553034

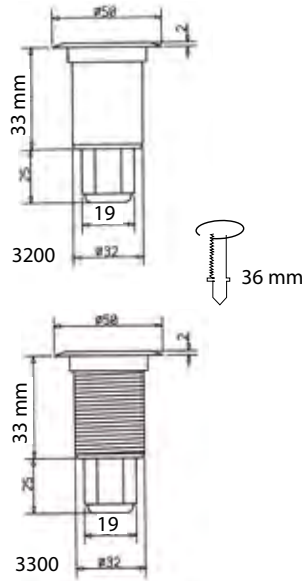
S-PAVER 3300
Code 1553037

1W – 350 mA SMD Led
IP 68

S-PAVER RGBW 3200
Code 1553036

S-PAVER RGBW 3300
Code 1553039

RGBW 5W – 350 mA SMD Led
IP 68



3200



3300

Installing accessories for S-Paver 3200

PP32-S14 TUBE
Code 1553020

PP32-S16 PLUG
Code 1553021



ø 32 mm/49 mm ← → 85 mm

NB! All S-Paver fittings are delivered with both clear and satin glass.

S-PAVER KIT

S-PAVER 3200 Kit 4 Code 1545174
S-PAVER 3200 Kit 6 Code 1545175

S-PAVER 3300 Kit 4 Code 1545176
S-PAVER 3300 Kit 6 Code 1545177

The Kits include 4 or 6 pcs of S-Paver lights, each equipped with a 5 m connection cable, and a connection box with a power supply and serial connection module.

NB! All S-Paver fittings are delivered with both clear and satin glass.



S-PAVER RGBW KIT

S-PAVER RGBW 3200 Kit 5
Code 1545198

S-PAVER RGBW 3300 Kit 5
Code 1545178

The Kits include 5 pcs of S-Paver lights, each equipped with a 5 m connection cable, and a connection box with a power supply.

NB! All S-Paver fittings are delivered with both clear and satin glass.



NB! Serial connection only. Each light equipped with a 5 m connection cable.

GP-65 KIT 6 IP67



GP-65 KIT 6 IP67
Code 1545193

The Kit includes 6 pcs of GP-65 Led lights with 5 m connection cables and a connection box with a power supply and serial connection module.

- 6 x 1 W/350 mA
- Directs light downwards and is ideal for terraces and steam rooms



TERRACE LIGHT KIT



TERRACE LIGHT KIT
Code 1553041

The Kit includes 3 pcs of S-Paver lights with 5 m connection cables and a connection box with a power supply and serial connection module.

- 3 x 1 W/350 mA
- The fittings are delivered with both clear and satin glass.
- Max 6 pcs of lights can be connected to the Kit

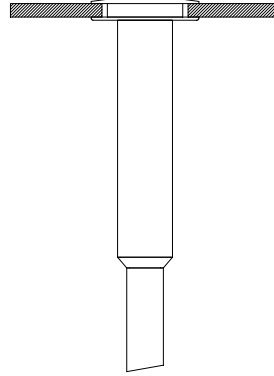
ADDITIONAL LIGHT S-PAVER 3300 ALUMINIUM
Code 1553040





APOLLO BOLLARD

Apollo is a stylish outdoor luminaire. Apollo has a light source 6 x 1 W Led. The pole is made of galvanized and powder coated steel.

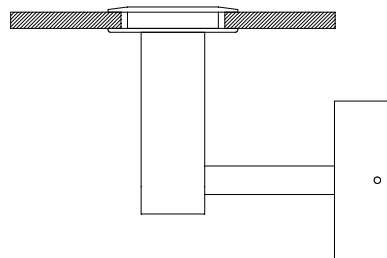


APOLLO BOLLARD
Code 1554504

- 6 W / 350 mA
- IP44
- Power supply is included
- Luminaire height 1150 mm
- Luminaire diameter Ø 250 mm
- Pole diameter Ø 34 mm
- Installation to a ground attachment
- Depth in ground 280 mm

APOLLO SCONCE

Apollo is a stylish outdoor luminaire. Apollo has a light source 6 x 1 W Led. The frame is made of galvanized and powder coated steel.



APOLLO SCONCE
Code 1554503

- 6 W / 350 mA
- IP44
- Power supply is included
- Luminaire height 195 mm
- Luminaire diameter Ø 250 mm
- Distance from wall 295 mm

OUTDOOR LIGHTING WITH HUUHTO IP67 LINEAR LED



SONZA BOLLARD

Sonza is an outdoor Led light with a power source of 4W supply voltage Led. The light leg is made of galvanized and powder coated steel. The light globe is made of copper or white or grey painted aluminium. This light is easy to install directly to a ground attachment, since there is no need for additional transformers.

SONZA BOLLARD

Code 1554509 Grey

Code 1554501 Grey/Copper

Code 1554505 White

Code 1554510 White/Copper

- 4 W
- 230 V
- IP44
- Luminaire height 1000 mm
- Luminaire diameter Ø 200 mm
- Pole diameter Ø 34 mm
- Installation to a ground attachment
- Depth in ground 280 mm



OUTDOOR LIGHTING WITH SONZA



SONZA SCONCE

Sonza is an outdoor Led light with a power source of 4W supply voltage Led. The light leg is made of galvanized and powder coated steel. The light globe is made of copper or white or grey painted aluminium. This light is easy to install directly to a wall, since there is no need for additional transformers.

SONZA SCONCE

Code 1554511 Grey
Code 1554506 Grey/Copper
Code 1554507 White
Code 1554512 White/Copper

- 4 W
- 230 V
- IP44
- Luminaire height 170 mm
- Luminaire diameter Ø 200 mm
- Distance from wall 296 mm
- Wall mounted



OUTDOOR LIGHTING WITH SONZA



PROJECTORS

Among our range of projectors you will easily find a model to suit your own lighting solutions and type of installation.

All our projectors are equipped with an Led light source. This ensures excellent light quality and long lifetime. The product range includes also RGBW projectors with colour change, as well as projectors with various effects.



VPL10



VPL10 IP55
Code 1501414
• warm Led 3000 K

- 230V, 1W/350mA, IP55
- Led, 50.000 h
- Electronic power supply
- Not dimmable
- Weight 0.1 kg
- max. 75 strands



VPL20



VPL20 L
Code 1501480 • 3000 K

VPL20 K
Code 1501481 • 4000 K

- 230 V, 12 W, IP20
- L100 x W150 x H83
- Electronic power supply
- Mains dimmable
- Weight 0.5 kg
- max. CE300 / CER650

Also available with colour change:
VPL20 RGBW Code 1501482



VPL30



VPL30 L
Code 1501485 • 3000 K

VPL30 K
Code 1501486 • 4000 K

- 230V, 10 W, 843 lm, IP65
- L145 x W150 x H83
- Led, 50.000 h
- Electronic transformer
- Mains dimmable
- Weight 2.0 kg



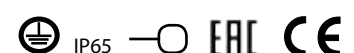
VPL30X



VPL30 XL
Code 1501487 • 3000 K

VPL30 XK
Code 1501488 • 4000 K

- 230V, 30 W, 1950 lm, IP65
- L250 x W150 x H83
- Led, 50.000 h, max. Ta +40 °C
- Electronic transformer
- Dimmable 1-10 V
- Weight 2.5 kg

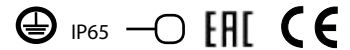


EFFECT	KT	T	CT	NL	FL
KALEIDOSCOPE, PRODUCED BY RGBW LEDS	•				
TWINKLE, CLEAR TWINKLE EFFECT, PRODUCED BY LEDS		•			
BLUE TWINKLE, PRODUCED BY BLUE AND CYAN COLOURED LEDS			•		
NORTHERN LIGHT, EFFECT WITH CHANGING COLOURS BLUE, GREEN AND MAGENTA, PRODUCED BY LEDS				•	
FIRE FLAME, EFFECT WITH CHANGING COLOURS ORANGE, YELLOW AND AMBER, PRODUCED BY LEDS					•

VPL 30C WITH EFFECTS



- VPL30 series
- 230V, 20 W
 - L250 x W150 x H83
 - Led, 50.000 h
 - Electronic transformer
 - Weight 2.5 kg



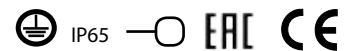
TYPE	CODE	IP	KT	T	CT	NL	FL
VPL30 KT	1501456	IP54	•				
VPL30 T	1501452	IP54		•			
VPL30 CT	1501453	IP54			•		
VPL30 NL	1501454	IP65				•	
VPL30 FL	1501455	IP65					•

VPL30C



- RED 1.17 W 46 lm
- GREEN 1.54 W 95 lm
- BLUE 1.59 W 61 lm
- WHITE 1.56 W 122 lm

- VPL30C
Code 1501451
- VPL30C MASTER SYNCRO
Code 1501498
- VPL30C SLAVE SYNCRO
Code 1501484
- 230V, 5.9 W
 - L250 x W150 x H83
 - Led, 50.000 h
 - Electronic transformer
 - Colour change on/off 1-10V
 - IP65
 - Weight 2.5 kg

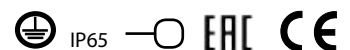


VPL30C BT



- RED 1.52 W 52 lm
- GREEN 1.98 W 107 lm
- BLUE 1.98 W 72 lm
- WHITE 1.95 W 146 lm

- VPL30C BT
Code 1501489
- VPL30C BT MASTER SYNCRO
Code 1501499
- VPL30C SLAVE SYNCRO
Code 1501484
- 230V, 7.5 W
 - L250 x W150 x H83
 - Led, 50.000 h
 - Electronic transformer
 - IP65
 - Weight 2.5 kg



The projector VPL30C BT is equipped with wireless Bluetooth control option. The application can be loaded from AppStore for iPhone and iPad, and from GooglePlay for Android. With the application you can control the colours and brightness of your projector, create individual colour change programs or choose a ready-made program.



OPTIC FIBRES

With optic fibres light can be taken everywhere. There is no electricity or heat in the fibres, there is only light. When producing a fibre bundle the projector end is hermetically sealed to keep the fibre clean and later prevent it from melting. The projector end is protected with a thermal protection filter. All fibre joints and endings in the fibre bundle are made without adhesives using the so-called dry polishing method which gives the best light conductivity performance on the market.

FIBRE HARNESS CALCULATOR

With the fibre harness calculator you can calculate or create your own fibre bundle. The price will be calculated only if you have a password. Passwords are available for our dealers.



Harness Sales Order Form

Harness Sales Order Form	Cariitti Ltd. 30.12.2008 9:05:55
Customer:	
Project:	
Customer Order No.:	
Harness Qty:	1

Assembly instructions

Harness Qty:	1
--------------	---

Common End	Size	Product Code
CE450	450	1548103

Fiber	Product Code	Length (mm)	Ferrule	Pieces
C-FLEX 2	1530005	1000	M5	1
C-FLEX 2	1530005	2000	M5	2
C-FLEX 2	1530005	3000	M5	3
C-FLEX 2	1530005	4000	M5	4
C-FLEX 2	1530005	5000	M5	5
C-FLEX 4	1530007	4000	M8	2
C-FLEX 4	1530007	3000	M8	2
C-FLEX 4	1530007	4000	M8	1
C-FLEX 7	1530009	3000	Linear C7 (1000 mm)	2

Order summary

Common End	Product code	Pieces
CE450	1548103	1



Fiber	Product code	Total Length (m)
C-FLEX 2	1530005	55,00



Fiber	Product code	Total Length (m)
C-FLEX 4	1530007	18,00

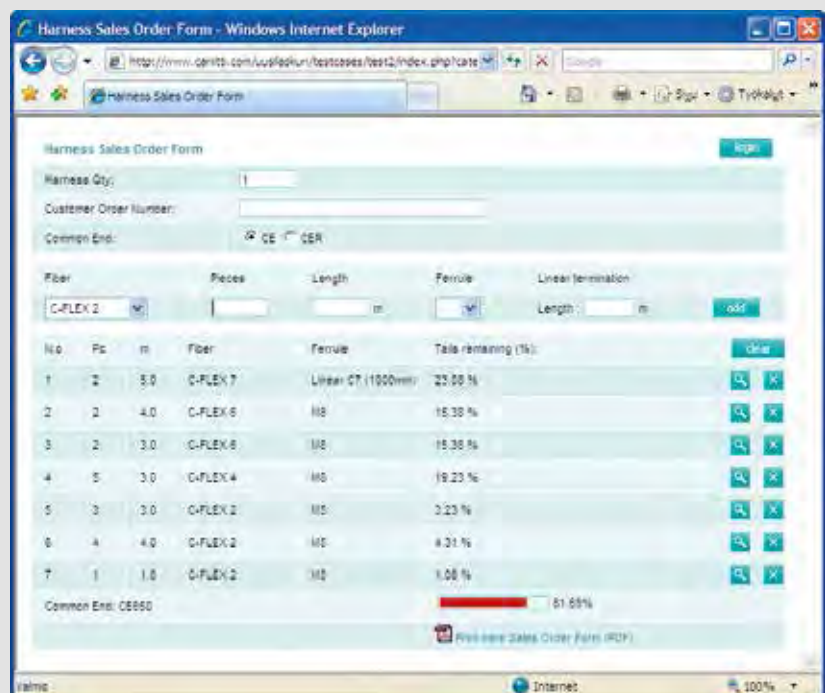


Fiber	Product code	Total Length (m)
C-FLEX 7	1530009	8,00



HOW TO USE THE PROGRAM

1. Specify your order with a number or mark
2. Choose CE/CER common end.
CE=ordinary CER= randomized
3. Choose the fibre size
4. Define the amount and lengths of the fibres, and choose the type of ferrules.
5. If Linear end fitting is chosen, define the length. If you chose another end fitting move directly to add.
6. Press the add handle and your selection becomes an order line.
7. Repeat item 3-6 until your chosen bundle is calculated.
8. Press the "print order form" handle and you will get a complete calculation in pdf format.
9. Save the pdf file on your own computer and send it as an attachment of an e-mail to us.



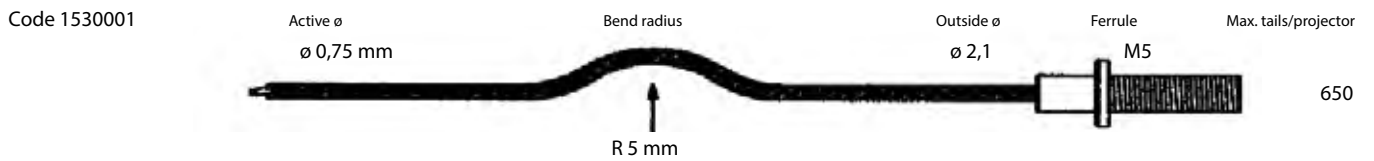
BARE PLASTIC SINGLE CORE FIBRES



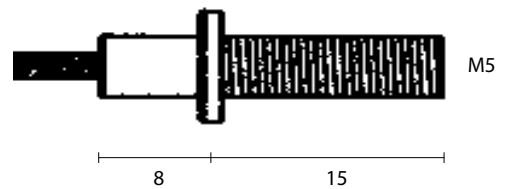
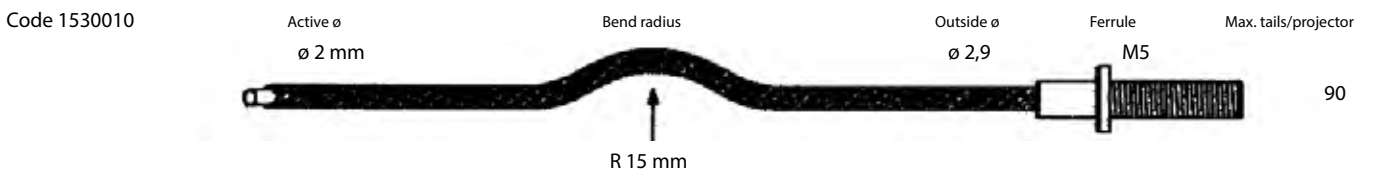
TYPE	CODE	ACTIVE Ø mm	OUTSIDE Ø mm	BEND RADIUS mm	FERRULE	MAX TAILS/PROJECTOR
CK 0.75	1530016	0.75	0.75	5	-	650
CK 1.0	1530017	1.0	1.0	7.5	-	390

PLASTIC SINGLE CORE FIBRES WITH BLACK OUTER TUBING

CK-FLEX 0.75



CK-FLEX 2



PLASTIC STRANDED FIBRES



- C-Flex plastic fibres are made of 0.75 mm strands, e.g. a 4 mm fibre consists of 25 single 0.75 mm strands.
- The light transmitting of plastic fibres is excellent, the light reduction is max 3%/m.
- The recommended ambient temperature is -40 - +80 °C.
- The recommended fibre length is max. 10 m.



C-FLEX 2

Code 1530005	0,75 strands/ fibre	Active ø ø 2,1 mm	Bend radius	Outside ø ø 5	Ferrule M5/M8	Max. tails/projector
	7		R 7,5 mm			92

C-FLEX 3

Code 1530006	0,75 strands/ fibre	Active ø ø 3,0 mm	Bend radius	Outside ø ø 5,6	Ferrule M5/M8	Max. tails/projector
	13		R 10 mm			50

C-FLEX 4

Code 1530007	0,75 strands/ fibre	Active ø ø 4,3 mm	Bend radius	Outside ø ø 7	Ferrule M8	Max. tails/projector
	25		R 15 mm			26

C-FLEX 6

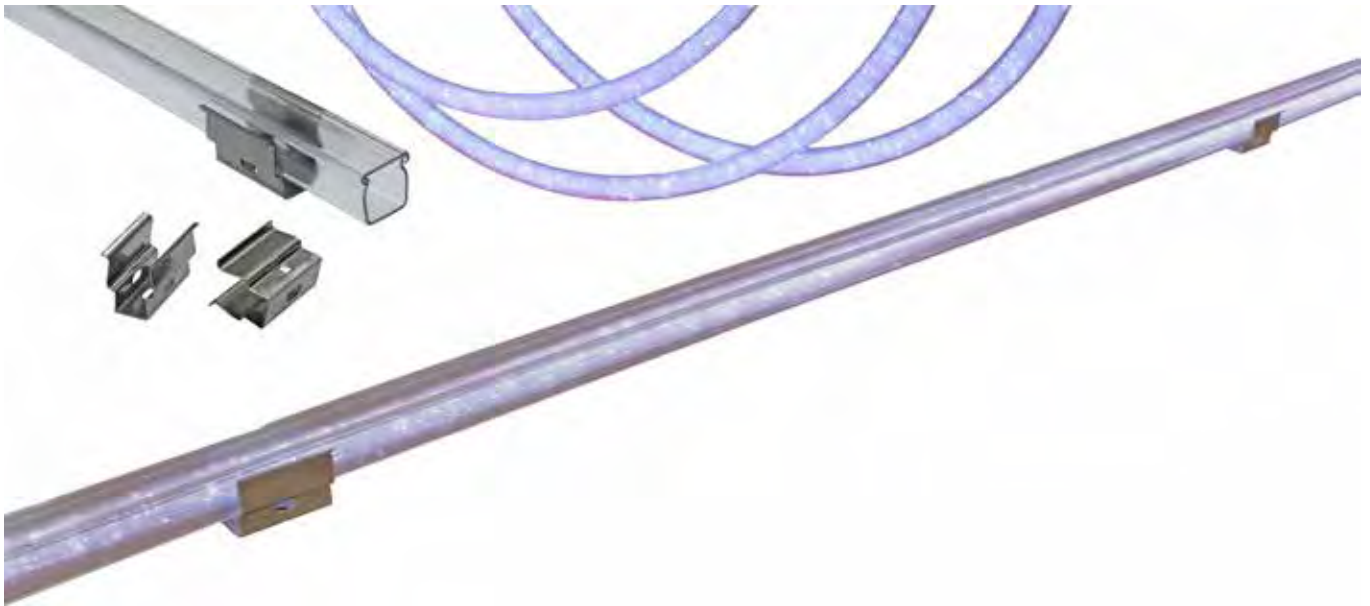
Code 1530008	0,75 strands/ fibre	Active ø ø 6 mm	Bend radius	Outside ø ø 10	Ferrule M8	Max. tails/projector
	50		R 20 mm			13

C-FLEX 7

Code 1530009	0,75 strands/ fibre	Active ø ø 7,5 mm	Bend radius	Outside ø ø 11,5	Ferrule M10	Max. tails/projector
	75		R 28 mm			8

LATERAL PLASTIC FIBRES AND INSTALLATION ACCESSORIES

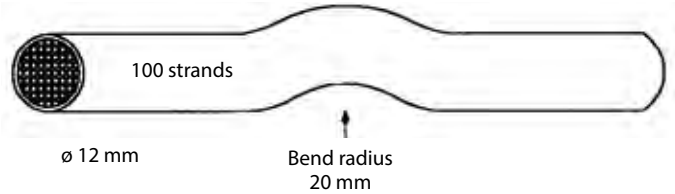
Lateral fibres are used to illuminate and emphasize various forms and shapes. They are commonly used in steam baths, spas and pool edges.



SIDESPARKLE 100

Code 1530204

Max. tails/projector: 6



U-CHANNEL + COVER

Code 1555040

Ridig clear polycarbonate U-channel and cover for lateral fibre Sidesparkle 100. Length 1.0 m, width 18 mm and height 16 mm.

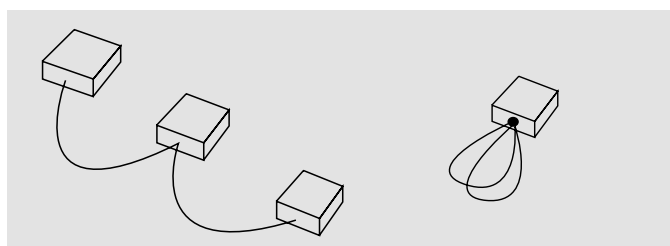
CLIP FOR U-CHANNEL

Code 1555041

Metallic clip to fasten the U-Channel for Sidesparkle 100.

MIRROR END

Code 1548428



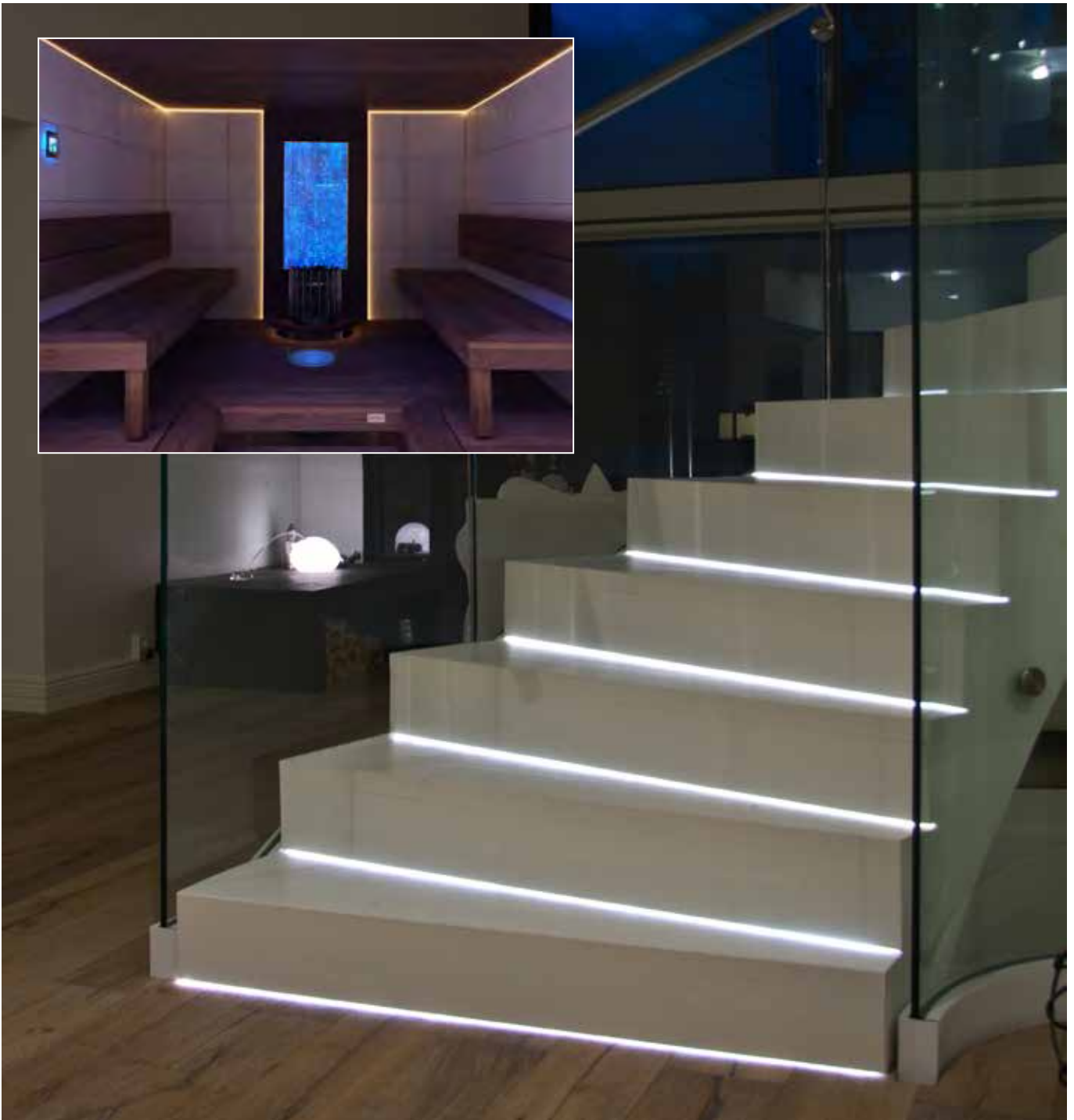
LATERAL FIBRES AND ACCESSORIES

- Lateral fibres are usually lit from both ends, with the maximum fibre length of 30 m. Lateral fibre can also make a loop when its both ends go into the same projector. If lit from one end the maximum length is 10 m with a mirror end cup.
- The recommended ambient temperature of lateral fibres is -40 - +80 °C.

LATERAL GLASS FIBRES

SIDELIGHT – GLASS FIBRE Ø 4.85 mm

- Sidelight glass fibre can be used to create e.g. decorative lighting and effects.
- Can be illuminated also by a projector with a colour effect.
- The recommended ambient temperature of Sidelight fibres is from -40°C to $+200^{\circ}\text{C}$.
- Max 52 tails/projector.
- The recommended fibre length is max 3 m, lit from one end, or max 5 m, lit from both ends.
- The recommended projector VPL10.
- The minimum bend radius 15 mm.



GLASS FIBRES

- Glass fibres are produced from 0.05 mm glass strands. The fibre is flexible and easy to handle.
- The recommended ambient temperature of glass fibres is from - 50 °C to + 180 °C.
- Glass fibres do not wear out and they can be used both indoors and outdoors.
- The light transmitting is excellent, the light reduction is max. 5%/m.
- The recommended fibre length is max 10 m.



GLASS FIBRES

S-FLEX 1

Code	Active ø	Outside ø	Bend radius	Ferrule	Max. tails/ projector
1530300	ø 1,0 mm	ø 2,2	R 10 mm	B1	290

S-FLEX 1,5

Code	Active ø	Outside ø	Bend radius	Ferrule	Max. tails/ projector
1530301	ø 1,4 mm	ø 2,7	R 10 mm	B1.5 / M5	182

S-FLEX 2

Code	Active ø	Outside ø	Bend radius	Ferrule	Max. tails/ projector
1530302	ø 2,0 mm	ø 3,85	R 15 mm	B2 / M5	90

S-FLEX 3

Code	Active ø	Outside ø	Bend radius	Ferrule	Max. tails/ projector
1530303	ø 3,0 mm	ø 4,85	R 20 mm	B3 / M5	52

S-FLEX 4

Code	Active ø	Outside ø	Bend radius	Ferrule	Max. tails/ projector
1530304	ø 4,0 mm	ø 6,35	R 25 mm	B4 / M8	32

S-FLEX 6

Code	Active ø	Outside ø	Bend radius	Ferrule	Max. tails/ projector
1530306	ø 5,8 mm	ø 8,7	R 50 mm	M8	17

S-FLEX 7

Code	Active ø	Outside ø	Bend radius	Ferrule	Max. tails/ projector
1530307	ø 7,3 mm	ø 10,1	R 60 mm	M10	10

Cariitti fibre optic common end represents the latest development. The common end is designed for easy assembly and efficient cooling. It is equipped with an IR-UV filter that ensures a clean fibre end and a long fibre life.

To guarantee the greatest efficiency the thermal connection method makes sure that the fibres are sealed and no light leaks between fibres. In demanding lighting environments the compatibility of the lighting levels between different cables is ensured by randomising the fibre strands at the common end in a 1:25 ratio. Different sized fibre optic cables can be fitted into the same common end.

CE – STANDARD COMMON END



CER – RANDOMIZED COMMON END

COMMON END SIZES 100, 200, 300, 450 AND 650 STRANDS.





POWER SUPPLIES, CONNECTORS AND REMOTE CONTROLS

Power supplies are delivered in ready-to-install sets, which makes the installation quick and easy. The connection is made with quick-connect fittings.

With remote controls the functions can be switched on and off and, depending on the luminaire, they allow you to control the colour change or dimming or to move from one pre-programmed lighting feature into another.

LED DRIVER SETS 350 mA MAINS DIMMABLE

Code 1532281 • min 6, max 12 Leds 1W
 Code 1532282 • min 9, max 17 Leds 1W
 Code 1532263 • min 15, max 18 Leds 1W

Led driver set with an independent direct current power supply. Compatible with the most common leading and trailing edge dimmers. Suitable with cables 1532207 or 1532232, page 84.



LED DRIVER SETS 350 mA MAINS DIMMABLE

Code 1532283 • min 6, max 12 Leds 1W
 Code 1532284 • min 9, max 17 Leds 1W
 Code 1532266 • min 15, max 18 Leds 1W

Led driver set with an independent direct current power supply. Compatible with the most common leading and trailing edge dimmers. Suitable with cables 1532208, page 84.



OTe 13

OTe 13
 Code 1532278
 Independent direct current power supply. Compatible with the most common leading and trailing edge dimmers.

- Dimming range 10...100 %
- Direct current output 350 mA
- Output power, load 6,5 - 13,5 W
- Ambient temperature Ta -20 - +55°C
- Max temperature on Tc dot 75°C
- Cables input 2x0,75 - 1,5 mm²
- Cables output 2x0,5 - 1,5 mm²
- Dimensions: L120 mm x W53 mm x H25 mm
- Weight 100 g



OTe 18

OTe 18
 Code 1532279
 Independent direct current power supply. Compatible with the most common leading and trailing edge dimmers.

- Dimming range 10...100 %
- Direct current output 350 mA
- Output power, load 9,5 - 19 W
- Ambient temperature Ta -20 - +55°C
- Max temperature on Tc dot 75°C
- Cables input 2x0,75 - 1,5 mm²
- Cables output 2x0,75 - 1,5 mm²
- Dimensions: L120 mm x W53 mm x H30 mm
- Weight 110 g



OTe 20

OTe 20
 Code 1532254
 Independent direct current power supply. Compatible with the most common leading and trailing edge dimmers.

- Dimming range 10...100 %
- Direct current output 350 mA
- Output power, load 16 - 20 W
- Max ambient temperature Ta 45°C
- Max temperature on Tc dot 70°C
- Cables input 2x0,5 - 2,5 mm²
- Cables output 2x0,5 - 2,5 mm²
- Dimensions: L109 mm x W53 mm x H33 mm
- Weight 100 g



LED DRIVER SETS 350 mA DIMMABLE 1-10 V

Code 1532260 • min 1, max 7 Leds 1W
 Code 1532268 • min 1, max 7 Leds 1W

Led driver set with an independent direct current power supply, dimming by potentiometer 1-10 V 1532025, page 83.

1532260



1532268



LL1X30-E-CV24

- Code 1532287
Independent constant voltage Led driver
- Constant voltage output 24V
 - Maximum output power 30 W
 - Suitable for use with LL1xCV-DA driver extension for DALI dimmable solutions
 - Ambient temperature range Ta -15 ... +45°C
 - Wire size 0.5 – 1.5 mm²
 - Dimensions L153 mm x W41 mm x H32 mm
 - Weight 150 g
 - IP20



LL1X75-E-CV24

- Code 1532288
Independent constant voltage Led driver
- Constant voltage output 24V
 - Maximum output power 75 W
 - Suitable for use with LL1xCV-DA driver extension for DALI dimmable solutions
 - Ambient temperature range Ta -15 ... +45°C
 - Wire size 0.5 – 1.5 mm²
 - Dimensions L180 mm x W52 mm x H30 mm
 - Weight 280 g
 - IP20



OT80 EASY / 24V

- Code 1532269
Independent constant voltage Led driver
- Constant voltage output 24V
 - RGB+W, can be pre-programmed
 - Maximum output power 80 W
 - Ambient temperature range Ta -20 ... +50°C
 - Maximum temperature on Tc dot 80°C
 - Cables input 2x0.5 – 2.5 mm²
 - Cables output 2x0.5 mm²
 - Dimensions L245 mm x W47 mm x H44 mm
 - Weight 290 g



LL1xCV-DA

- Code 1532289
The LL1xCV-DA DALI dimmable extension unit is designed to be used with constant voltage Led drivers, creating solutions for decorative lighting.
- DALI control input, 0.1 %-100 % dimming range
 - 1 kHz PWM dimming frequency
 - Stand-by power < 0.1 W
 - Duplicate terminals for parallel connection
 - Maximum output power 120 W
 - Ambient temperature range Ta -20 ... +50°C
 - Wire size 0.5 – 1.5 mm²
 - Dimensions L184 mm x W40 mm x H26 mm
 - Weight 70 g
 - IP20



OL1X30-E-CV24

- Code 1532293
Independent constant voltage Led driver
- Constant voltage output 24V
 - Maximum output power 30 W
 - Suitable for use with LL1xCV-DA driver extension for DALI dimmable solutions
 - Ambient temperature range Ta -15 ... +45°C
 - Wire size, load wires 0.75 mm²
 - Wire size, mains wires 1.0 mm²
 - Dimensions L131 mm x W42 mm x H34 mm
 - Weight 340 g
 - IP67



OL1X75-E-CV24

- Code 1532292
Independent constant voltage Led driver
- Constant voltage output 24V
 - Maximum output power 75 W
 - Suitable for use with LL1xCV-DA driver extension for DALI dimmable solutions
 - Ambient temperature range Ta -15 ... +45°C
 - Wire size, load wires 0.75 mm²
 - Wire size, mains wires 1.0 mm²
 - Dimensions L155 mm x W50 mm x H32 mm
 - Weight 454 g
 - IP67



OT 9 DIM

OT 9 DIM
Code 1532032

Independent direct current power supply

- Dimming 1-10 V
- Dimming range 0...100 %
- Direct current output 350 mA
- Output power, load 1 - 9 W
- Maximum ambient temperature Ta 55°C
- Maximum temperature on Tc dot 70°C
- Cables input 2x0.5 - 2.5 mm²
- Cables output 2x0.5 - 2.5 mm²
- Dimensions L108 mm x W53 mm x H33 mm
- Weight 108 g



OT CONTROL MODULES AND REGULATORS

Code 1532025 Potentiometer 1 - 10 V
Code 1545715 DALI control
Code 1532221 Remote control
Code 1532222 Infrared unit
Code 1532223 Y-connector
Code 1545736 Push button switch
Code 1532224 PB Coupler
Code 1532016 OT DIM 120W/24V



1532025
1545715



1532222



1532221



1532223



1545736

RGB / OT EASY 32

Code 1532226 DRIVER

Built-in constant voltage power supply

- Output voltage 4 x 350 mA
- Maximum 5 x RGB Leds / power supply
- Power consumption 0-32 W
- Link up to 64 slave drivers per master driver
- Maximum ambient temperature Ta +50°C
- Maximum temperature on Tc dot 75°C
- Also remote controllable
- Dimensions L223 mm x W96 mm x H32 mm



CABLES AND CONNECTORS FOR SERIAL CONNECTION

- (1) Code 1532207 500 mm
- (1) Code 1532232 1500 mm
- (2) Code 1532208 5000 mm
- (3) Code 1532209 5000 mm
- (4) Code 1532210 5000 mm
- (5) Code 1532212 200 mm
- (6) Code 1532213



RELCO INFRARED SWITCH

Code 1532070
Infrared Sensor

- Voltage 220 - 240 V 50/60Hz
- Maximum load 500 W
- Working distance 3 m
- Diameter of the sensor 10 mm
- Delay 45 s. after the movement
- Ambient temperature range T_a -10 ... +35°C
- Maximum temperature on T_c dot 40°C
- Cables 0.75 - 2.5 mm²
- Dimensions L103 mm x W31 mm x H21 mm



RELCO INFRARED CABIN SWITCH

Code 1532076
Infrared Cabin switch

- Voltage 100 - 240 V 50/60Hz
- Maximum load 250 W
- Working distance maximum 10 cm
- Diameter of installation hole for the sensor 13 mm
- Switched off when covered
- Ambient temperature range T_a -10 ... +35°C
- Maximum temperature on T_c dot 40°C
- Cables 0.75 - 2.5 mm²
- Dimensions L77 mm x W35 mm x H18 mm





SYMBOLS



Class 1



Class 2



Regressed ceiling



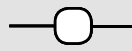
Regressed wall

IP20 IP44
IP55 IP68

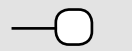
Degree of protection



Installation on flammable
surface possible



Continuous installation



Ending installation



Cariitti Oy
Muninkmäentie 9, FI-02400 Kirkkonummi, Finland
Tel. +358 9 221 9040, sales@cariitti.com
www.cariitti.com