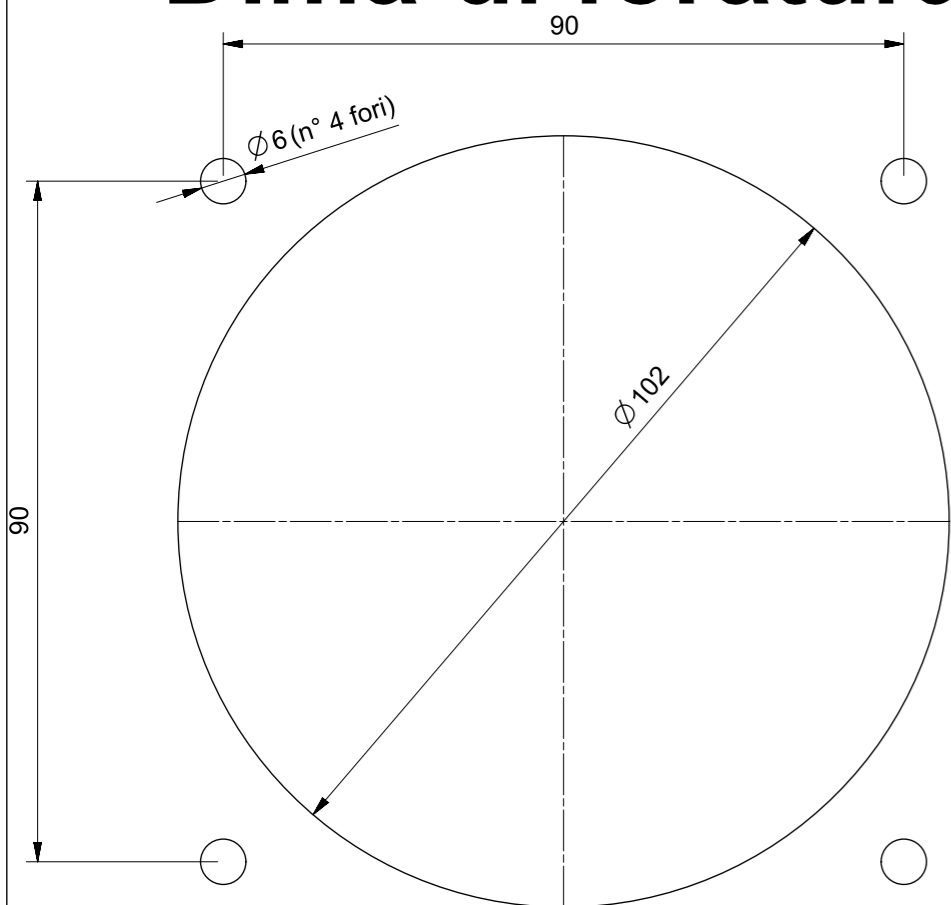


Dima di foratura



| | | | | | | | |
|--|---|----|-------|-----|----------|----------|-------------|
| Under the terms of the law we reserve the ownership of this design may not be copied and transfer it to third parties or competitors | Format | A3 | Scale | 1:1 | Mould N° | Drawn | SCAME |
| | Tolerances for linear and angular dimensions without indication of specific tolerances: JS13 / UNI 286-1:2010 | | | | | | Date |
| SCAME S.p.A. PARRE - (Bergamo) | DESCRIPTION | | | | | Approved | |
| | PRESA DA INCASSO OPTIMA 125A 3P+N+T | | | | | CODICE | Sheet 1 / 1 |