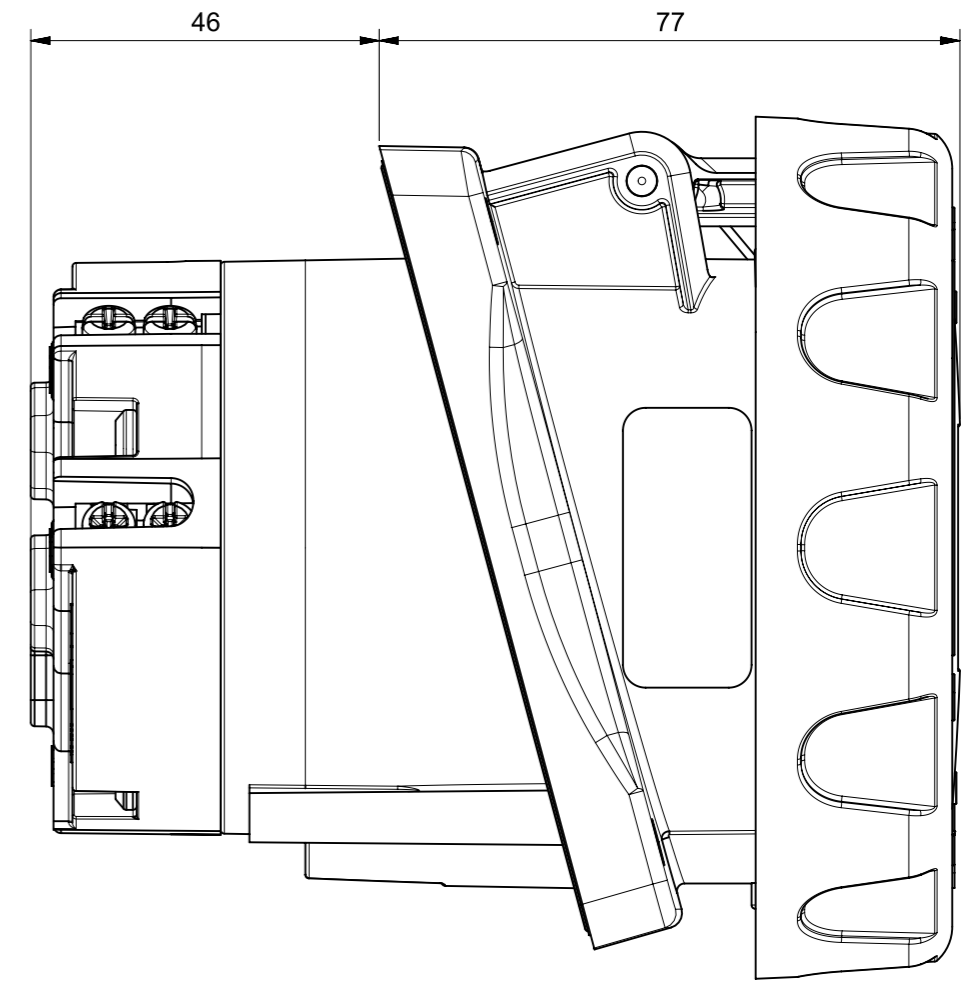
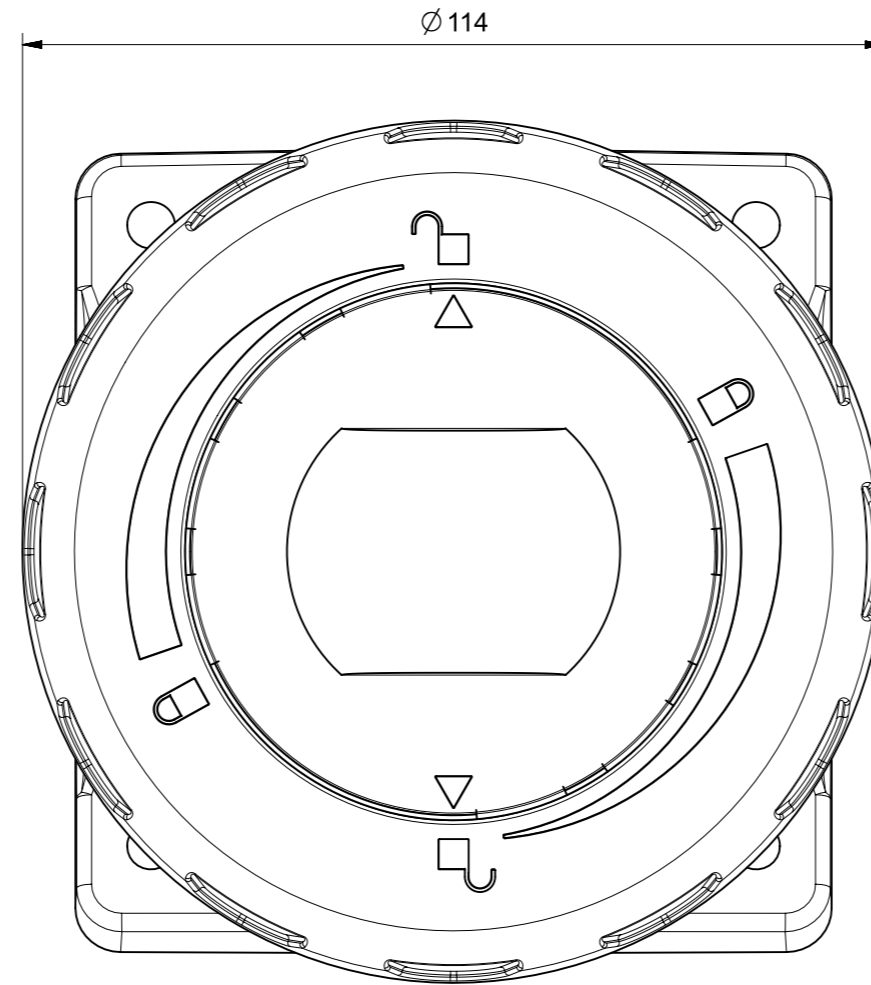
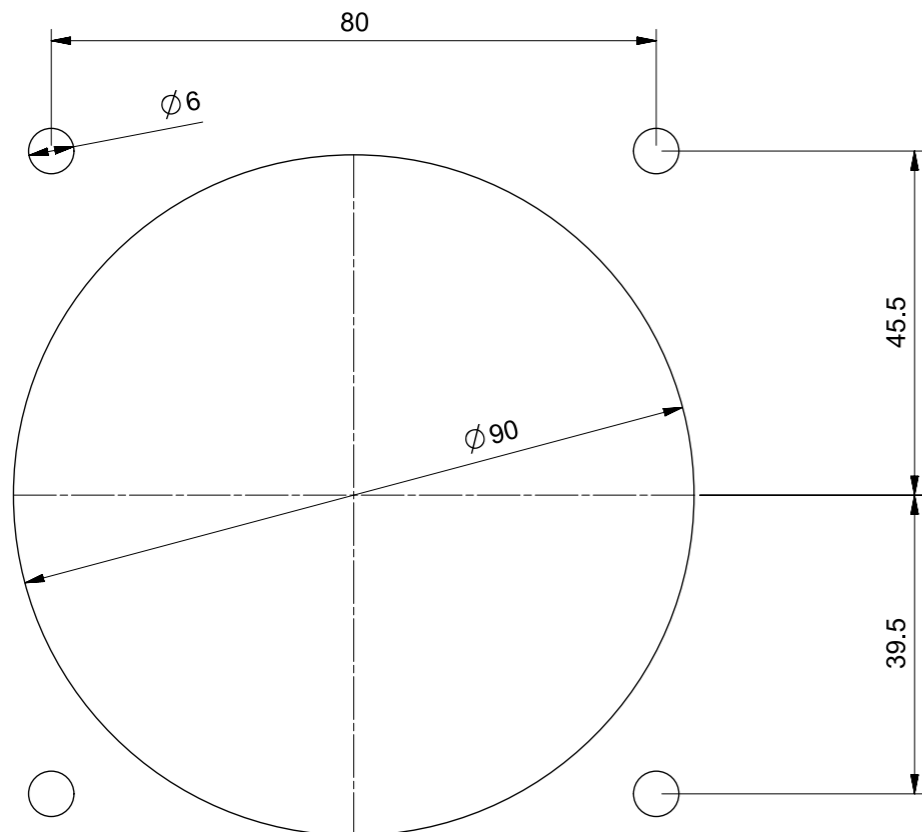


Dima di foratura



Under the terms of the law we reserve the ownership of this design may not be copied and transfer it to third parties or competitors	Format	A3	Scale	1:1	Mould N°		Drawn	SCAME
	Tolerances for linear and angular dimensions without indication of specific tolerances: JS13 / UNI 286-1:2010						Date	
 S.p.A. PARRE - (Bergamo)	DESCRIPTION						CODICE	Sheet 1 / 1
	PRESA INCASSO INCL. 3P+N+T 63A IP67						4000012	