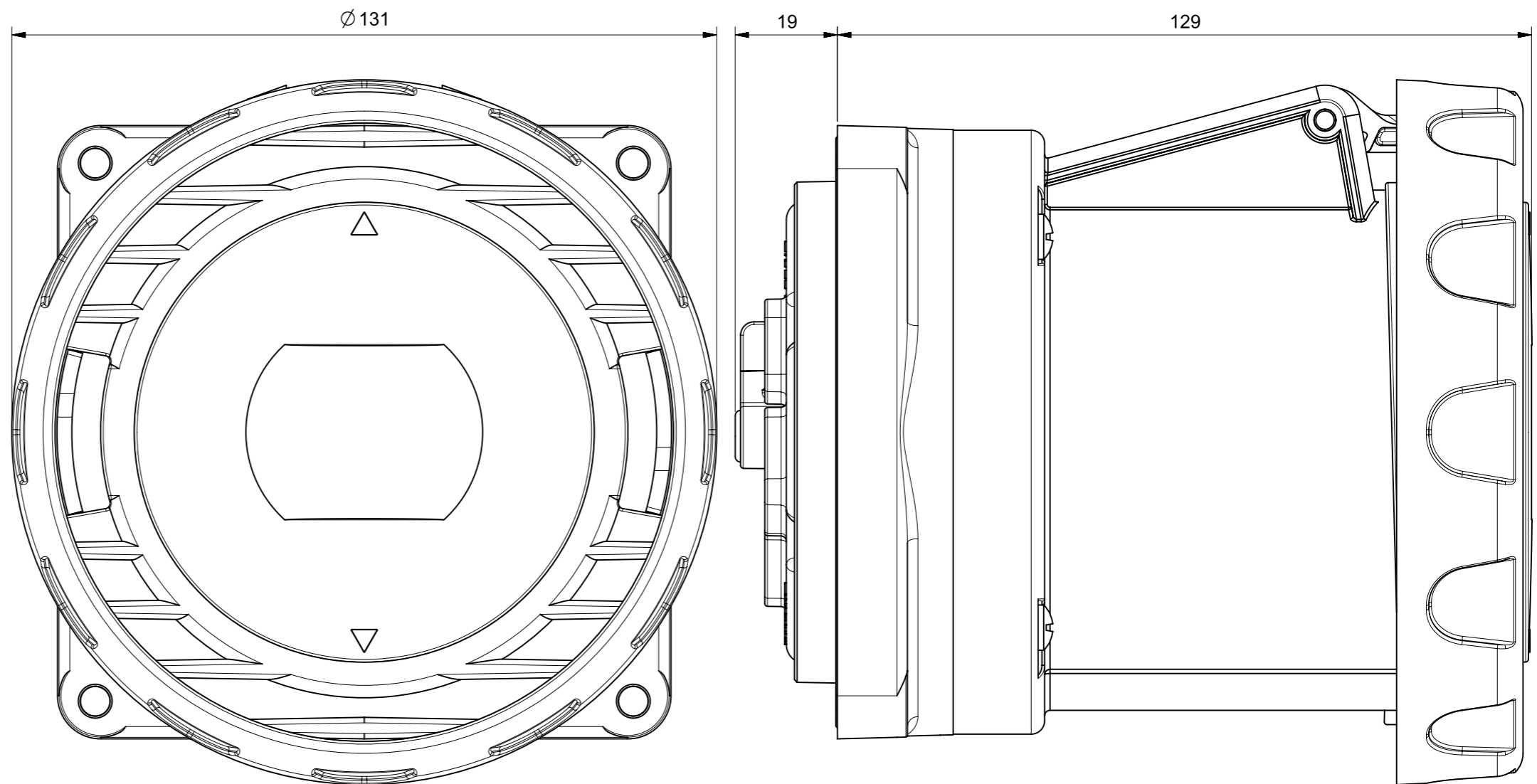
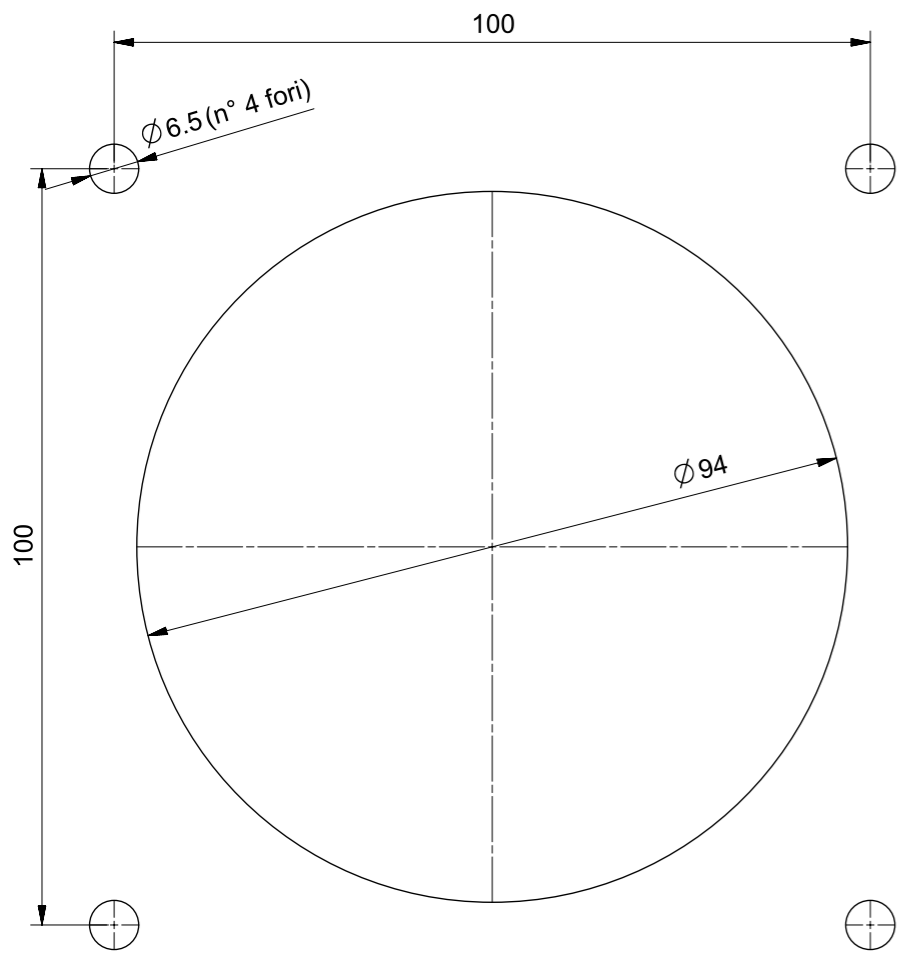


<p>At the end of the law, we reserve the ownership of this design may not be copied and transfer it to third parties or competitors</p> <p>SCAME S.p.A. PARRE - (Bergamo)</p>	Format	A2	Scale	1:1	Mould N°	Drawn	SCAME	
	Tolerances for linear and angular dimensions without indication of specific tolerances: JS13 / UNI EN20286						Date	
	DESCRIPTION						Approved	
PRESA INCASSO DIR. 3P+N+T 125A IP67						CODE	Sheet 1 / 2 4000014	



Dima di foratura



Under the terms of the law we reserve the ownership of this design may not be copied and transfer it to third parties or competitors SCAME S.p.A. PARRE - (Bergamo)	Format	A3	Scale	1:1	Mould N°		Drawn	SCAME
	Tolerances for linear and angular dimensions without indication of specific tolerances: JS13 / UNI 286-1:2010						Date	
	DESCRIPTION						Approved	
PRESA INCASSO DIR. 3P+N+T 125A IP67						CODICE	Sheet 2 / 2	
							4000014	