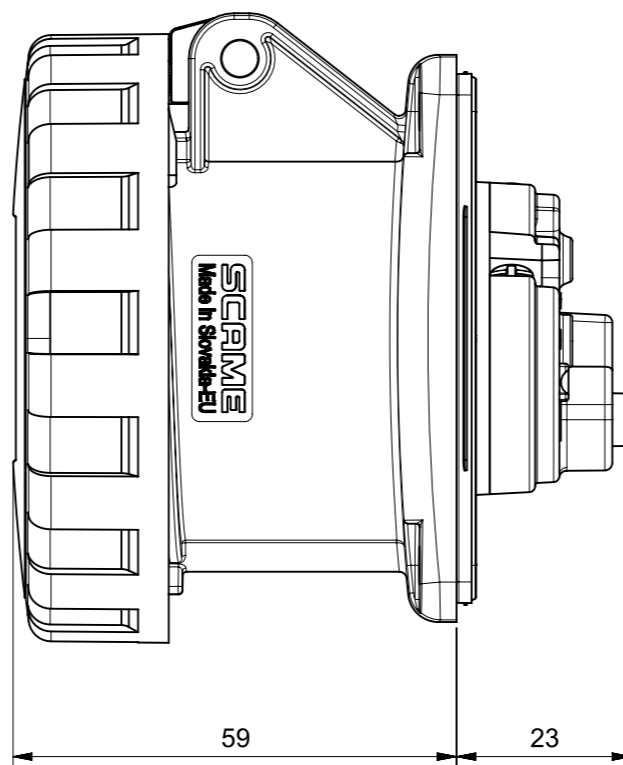


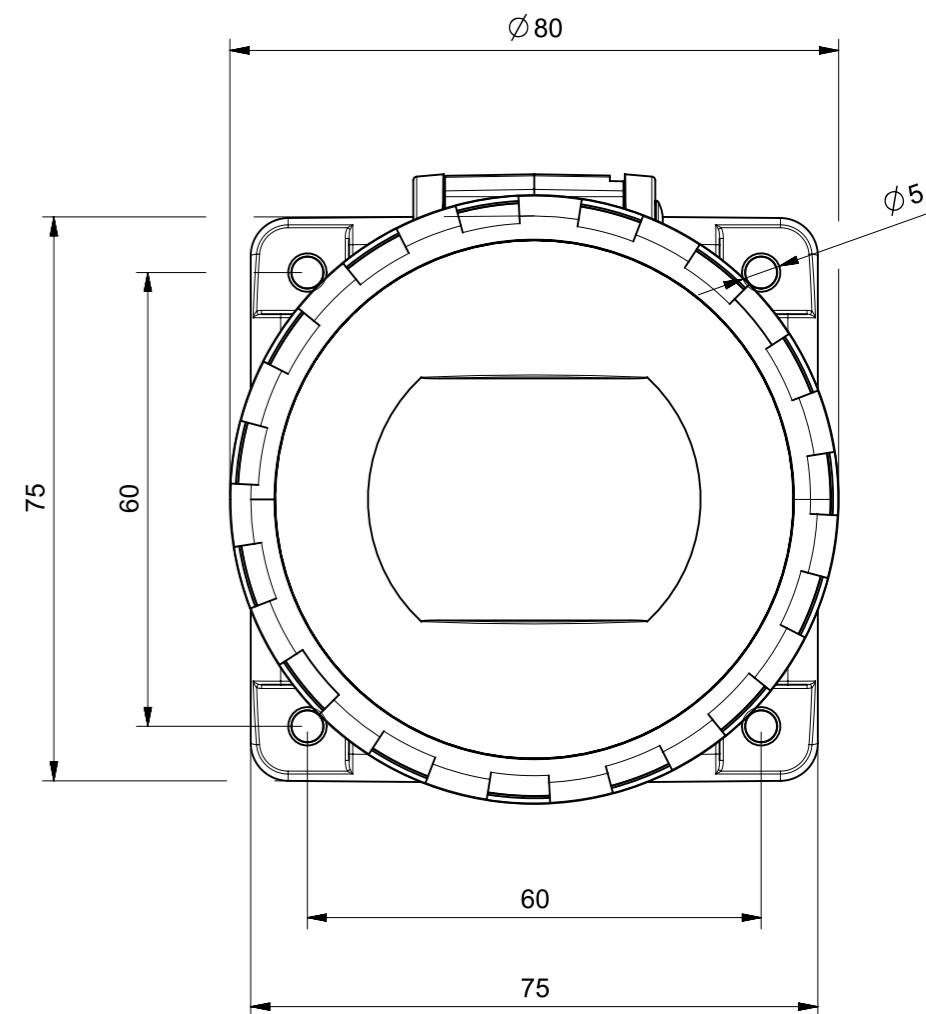
Ø 53

DIAMETRO FORATURA PANNELLO
PANEL DRILLING HOLE



59

23



Ø 80

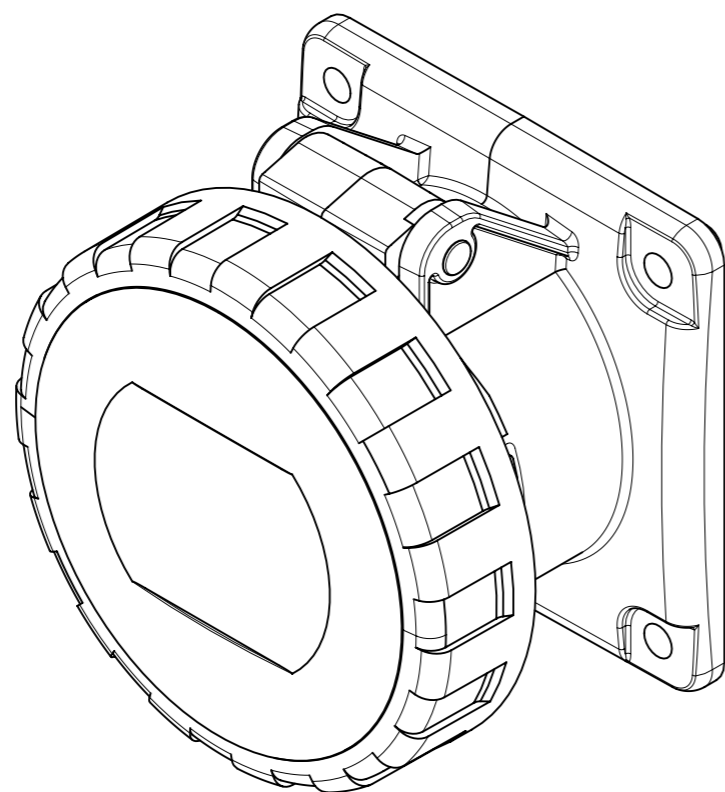
Ø 5

75

60

60

75



IL DISEGNO SI RIFERISCE ALLA POSIZIONE 6h
DWG REFERS TO CLOCK POSITION 6h

At the end of the law, we reserve the ownership of this design may not be copied and transfer it to third parties or competitors	Format	A3	Scale	1:1	Mould N°		Drawn	SCAME
	Tolerances for linear and angular dimensions without indication of specific tolerances: JS13 / UNI 286-1:2010						Date	gg-mm-aaaa
	DESCRIPTION PRESA INC.DIR. 3P+T 16A IP67 FLANGIA 75x75						Approved	
 S.p.A. PARRE - (Bergamo)							CODICE	Sheet 1 / 1
								4006950