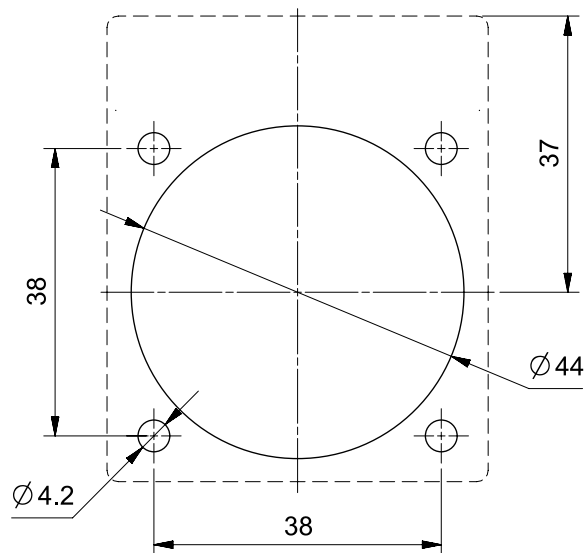
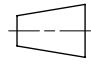



DIMA DI FORATURA
DRILLING TEMPLATE



Under the terms of the law we reserve the ownership of this design may not be copied and transfer it to third parties or competitors	Format	A4O	Scale	1:1	Mould N°	1000XXXX	Drawn	SCAME
	Tolerances for linear and angular dimensions without indication of specific tolerances: JS13 / UNI 286-1:2010							Date
SCAME S.p.A. PARRE - (Bergamo)	DESCRIPTION						Approved	
	PRESA INCASSO TEDESCA CON SHUTTER 50X60 CON MICROSW						CODE	Sheet 1 / 1
							4013634	