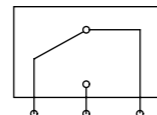


COMMON  
PIN

NA  
PIN

MICROSW



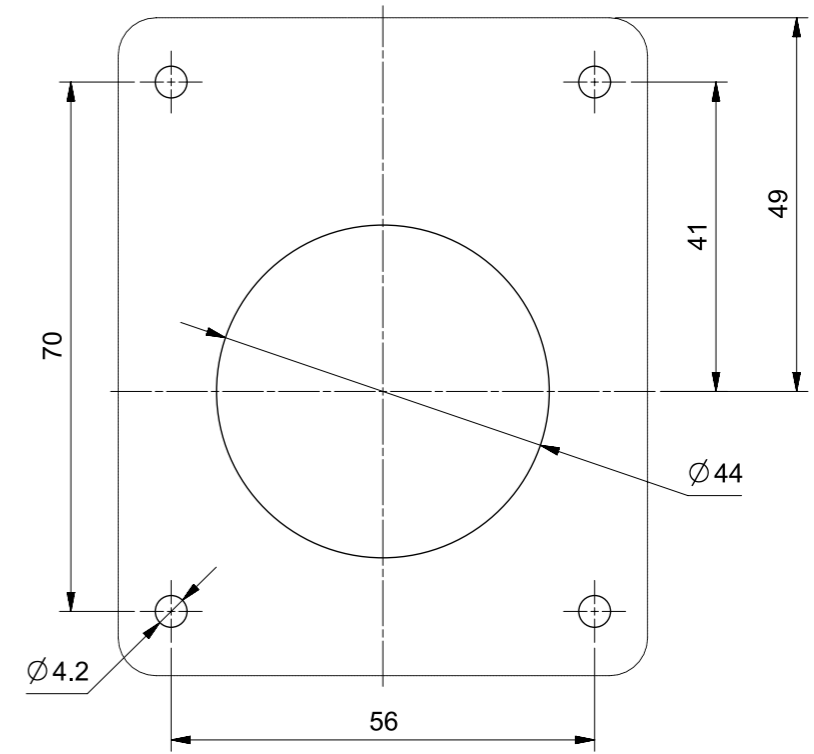
Common




NA

NC (not accessible)

5A 125VAC  
3A 250VAC

DIMA DI FORATURA  
DRILLING TEMPLATE



At the end of the law, we reserve the ownership of this design may not be copied and transfer it to third parties or competitors	Format	A3	Scale	1:1	Mould N°		Drawn	SCAME
	Tolerances for linear and angular dimensions without indication of specific tolerances: JS13 / UNI 286-1:2010						 	Date
 S.p.A. PARRE - (Bergamo)	DESCRIPTION						CODICE Sheet 1 / 1	
	PR.INCASSO TEDESCA CON SHUTTER E MICRO						4006262	