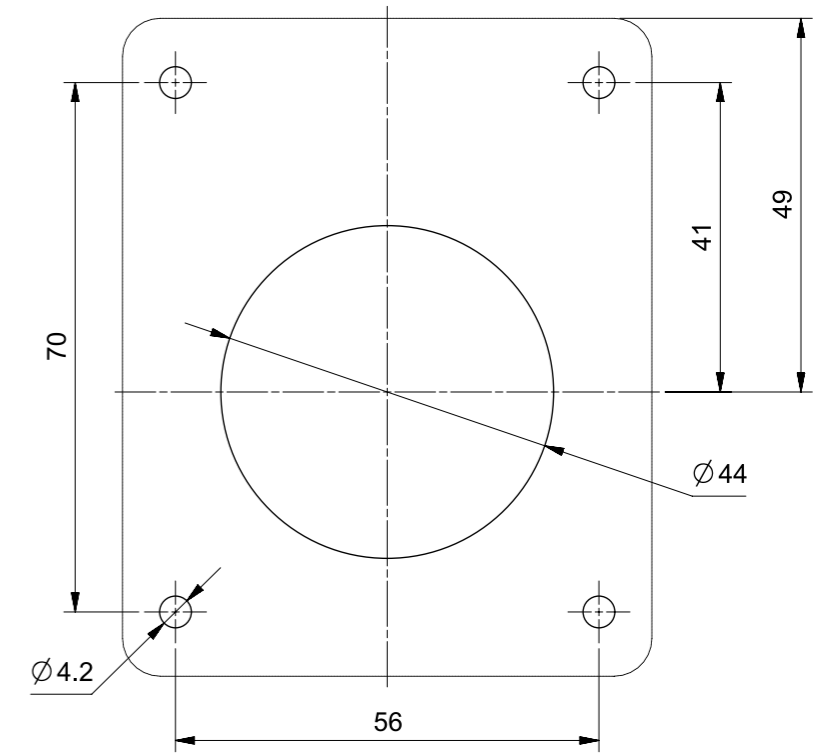


DIMA DI FORATURA  
DRILLING TEMPLATE



Under the terms of the law we reserve the ownership of this design may not be copied and transfer it to third parties or competitors	Format	A3	Scale	1:1	Mould N°		Drawn	Ruggeri	
	Tolerances for linear and angular dimensions without indication of specific tolerances: JS13 / UNI 286-1:2010							Date	09-10-2017
								Approved	
<b>SCAME</b> S.p.A. PARRE - (Bergamo)	DESCRIPTION						CODICE Sheet 1 / 1		
PRESA INCASSO FRANCESE C/SHUTTER E MICRO						4009517			