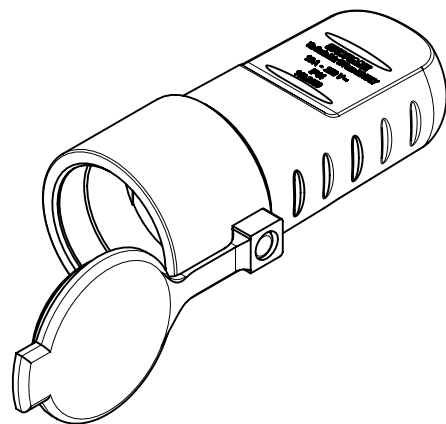
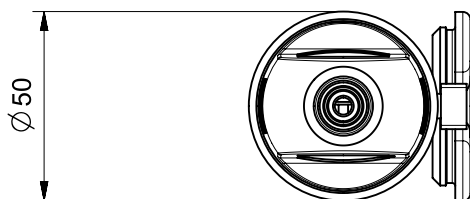
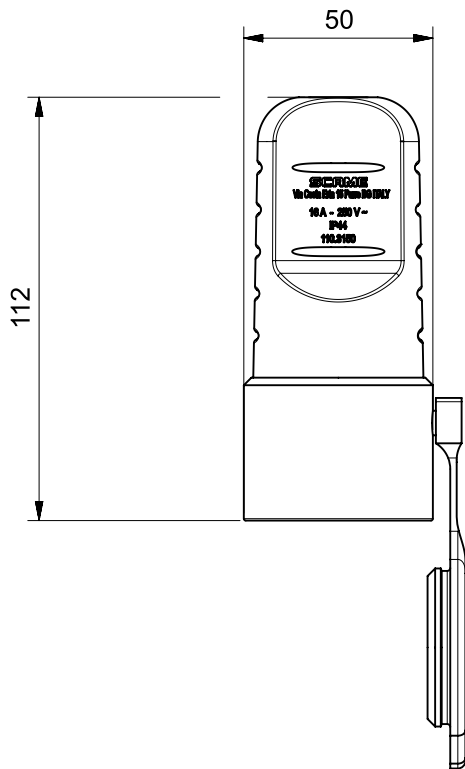


<p>At the end of the law, we reserve the ownership of this design may not be copied and transfer it to third parties or competitors</p>	Format	A3	Scale	1:1	Mould N°		Drawn	SCAME
	<p>Tolerances for linear and angular dimensions without indication of specific tolerances: JS13 / UNI 286-1:2010</p>							Date
<p><b>SCAME</b> S.p.A. PARRE - (Bergamo)</p>	<p>DESCRIPTION</p> <p><b>PRESA MOBILE IP44 16A 250V FR</b></p>						Approved	
							CODE	Sheet 1 / 2
								<b>4006578</b>



Under the terms of the law we reserve the ownership of this design may not be copied and transfer it to third parties or competitors	Format	A4V	Scale	1:2	Mould N°		Drawn	SCAME
	Tolerances for linear and angular dimensions without indication of specific tolerances: JS13 / UNI 286-1:2010						Date	
<b>SCAME</b> S.p.A. PARRE - (Bergamo)	DESCRIPTION						Approved	
	<b>PRESA MOBILE IP44 16A 250V FR</b>						CODE	Sheet 2 / 2
							<b>4006578</b>	