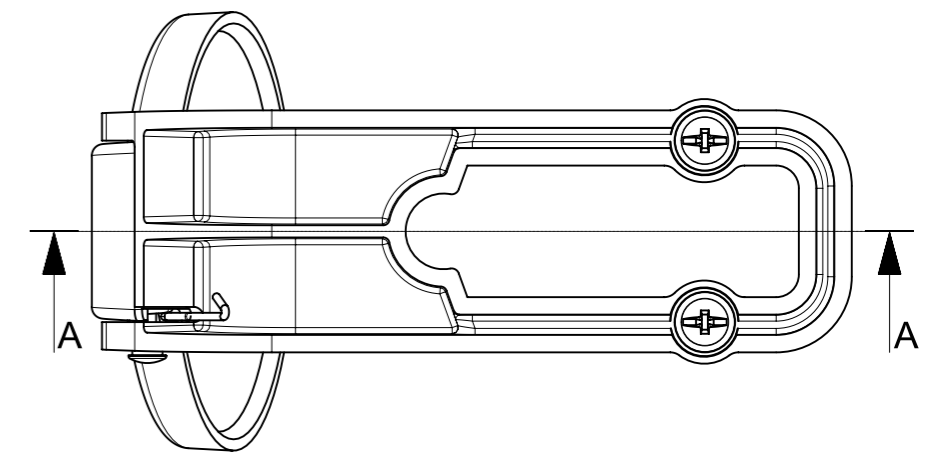
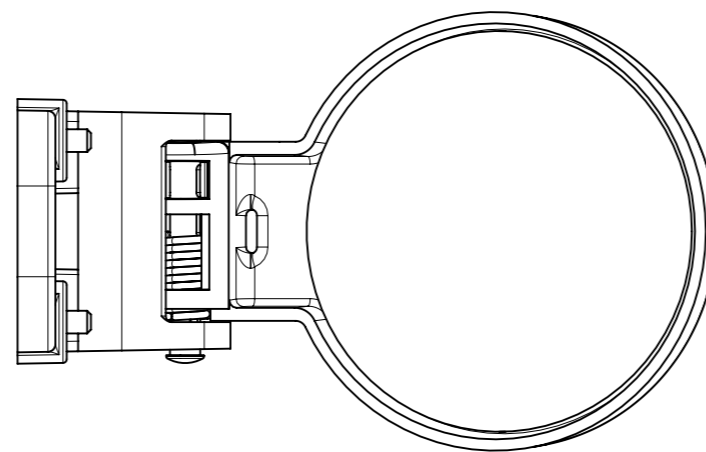
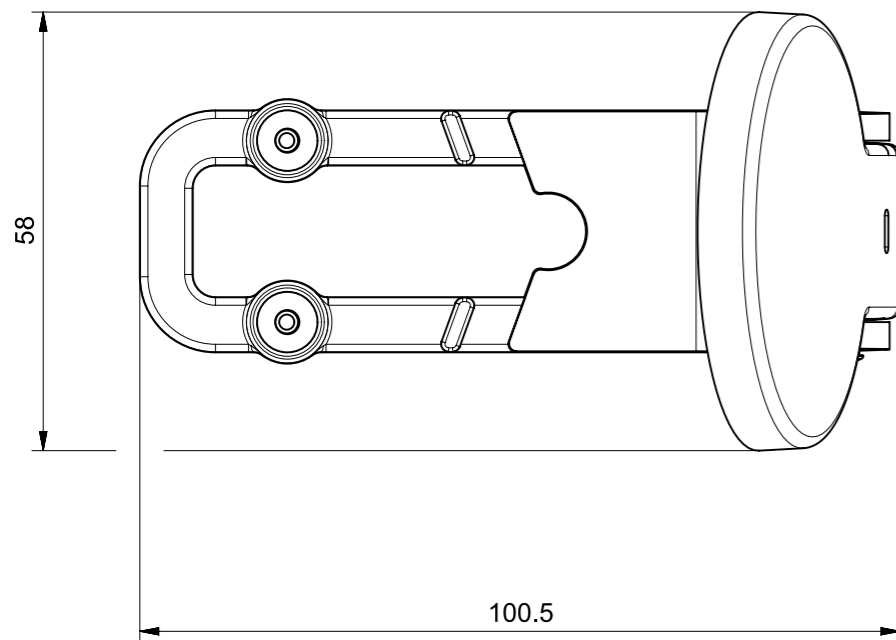
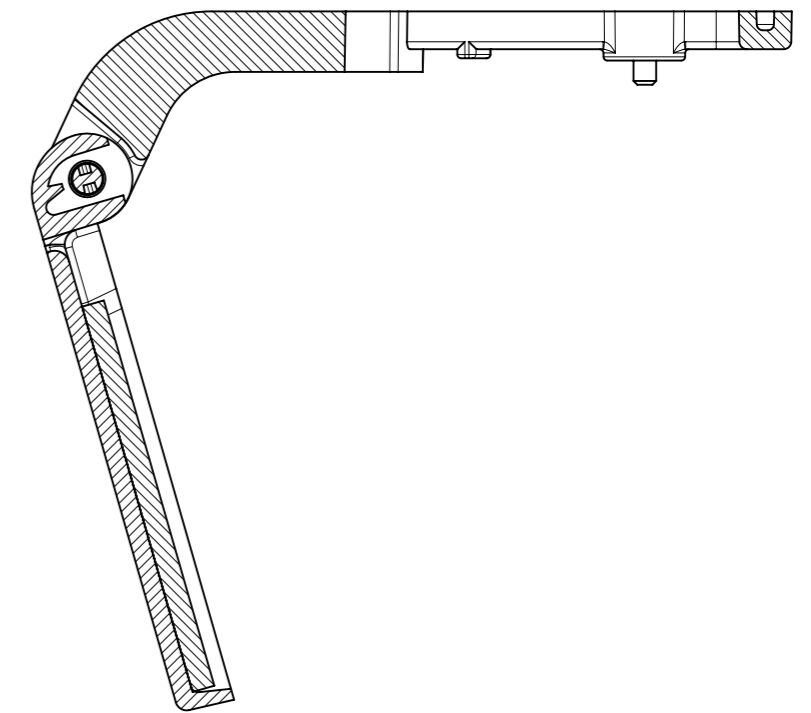




Sezione A-A



<p>At the end of the law, we reserve the ownership of this design may not be copied and transfer it to third parties or competitors</p> <p>SCAME S.p.A. PARRE - (Bergamo)</p>	Format	A3	Scale	1:1	Mould N°		Drawn	RUGGERI	
	Tolerances for linear and angular dimensions without indication of specific tolerances: JS13 / UNI 286-1:2010						 	Date	06-03-2017
DESCRIPTION							Approved	CODICE Sheet 1 / 1	
COP.SPINE PARETE 16A 2/3P+T								4008279	