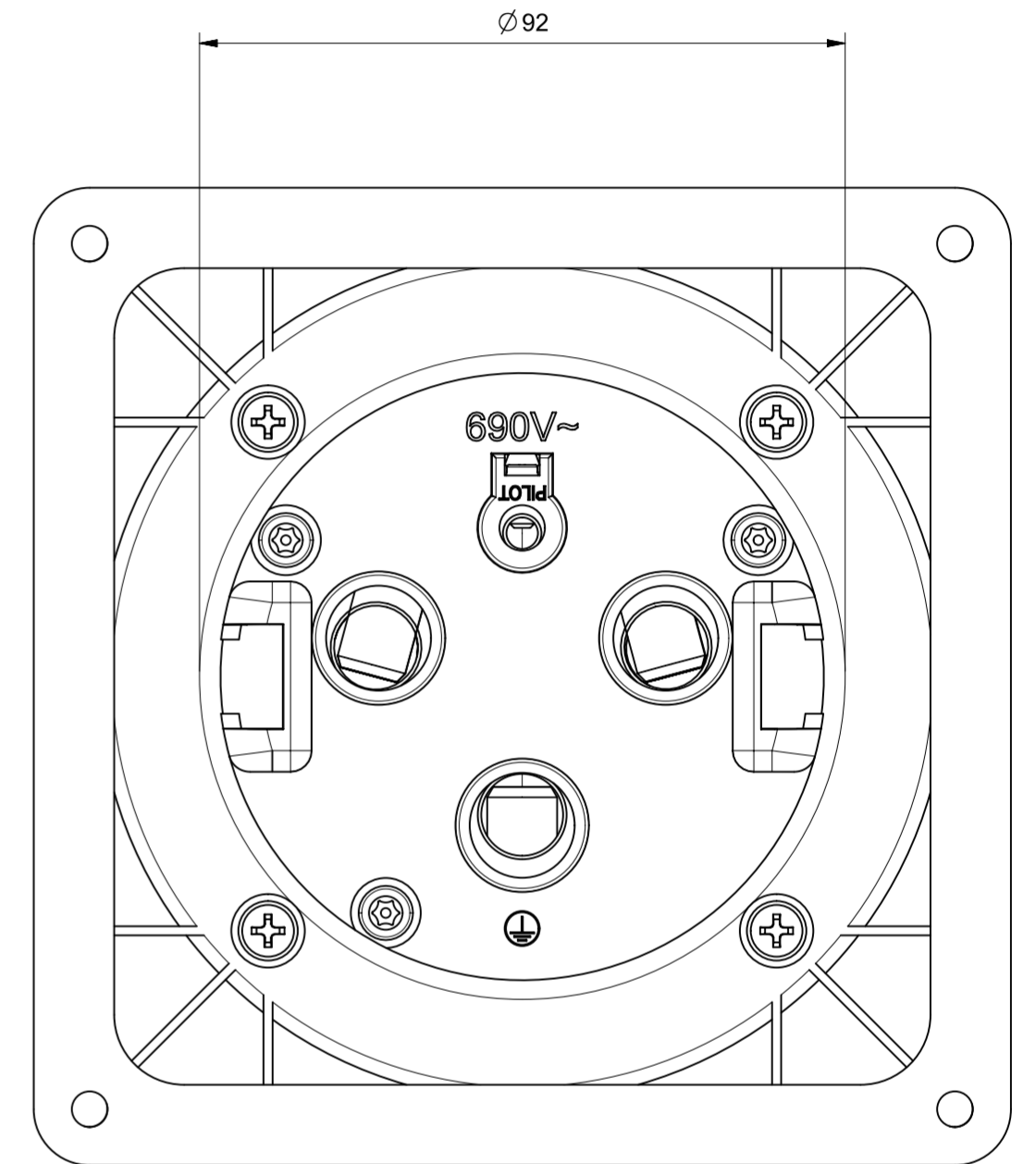


DIAMETRO FORATURA PANNELLO
PANLE DRILLING HOLE



IL DISEGNO SI RIFERISCE ALLA POSIZIONE 6H
THE DWG REFERS TO CLOCK POSITION 6H

| | | | | | | | | | |
|--|---|----|-------|-----|----------|----------|---------|-------|-------------|
| <p>At the end of the law, we reserve the ownership of this design may not be copied and transfer it to third parties or competitors</p> <p>SCAME S.p.A. PARRE - (Bergamo)</p> | Format | A2 | Scale | 1:1 | Mould N° | 1000XXXX | Drawn | SCAME | |
| | Tolerances for linear and angular dimensions without indication of specific tolerances: JS13 / UNI 286-1:2010 | | | | | | | Date | |
| | DESCRIPTION | | | | | | | CODE | Sheet 1 / 1 |
| SPINA PARETE 2P+T 125A IP67 UL | | | | | | | 4003585 | | |