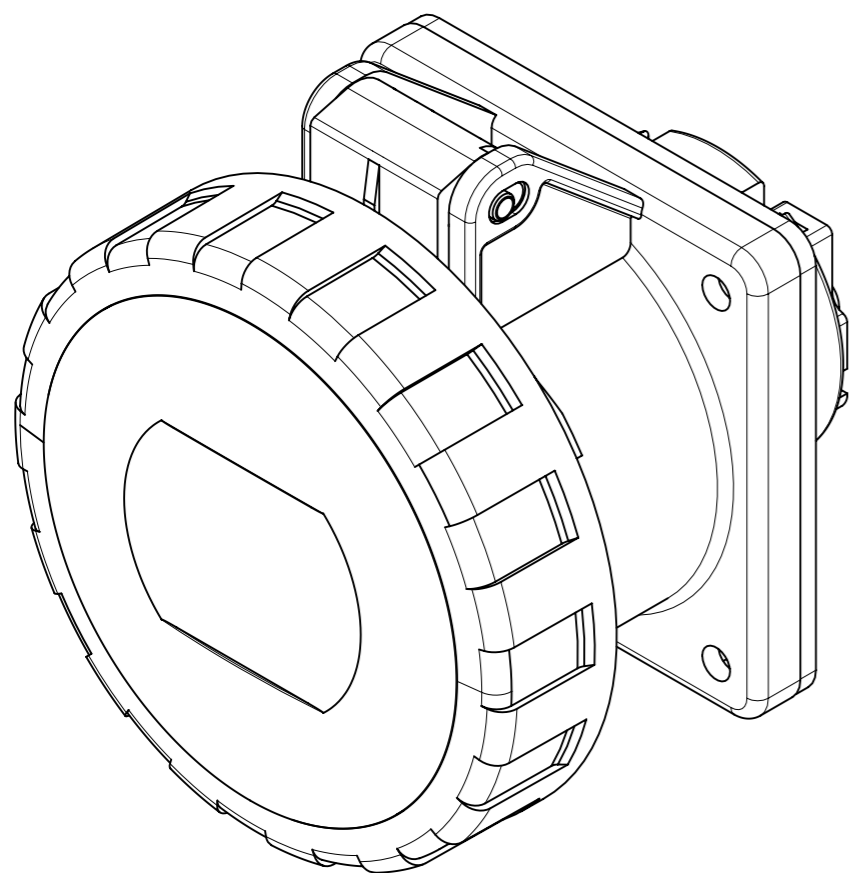


FORATURA PANNELLO
PANEL DRILLING



IL DISEGNO SI RIFERISCE ALLA POSIZIONE 6H
DWG REFERS TO CLOCK POSITION 6H

| | | | | | | | | |
|--|--|----|-------|-----|----------|----------|---------|-------------|
| At the end of the law, we reserve the ownership of this design may not be copied and transfer it to third parties or competitors | Format | A3 | Scale | 1:1 | Mould N° | 1000XXXX | Drawn | SCAME |
| | Tolerances for linear and angular dimensions without indication of specific tolerances: JS13 / UNI 286-1:2010 | | | | | | | Date |
| S.p.A. PARRE - (Bergamo) | DESCRIPTION | | | | | | CODICE | Sheet 1 / 1 |
| | PRESA PANNELLO 2P+T 32A IP67 UL | | | | | | 4003639 | |