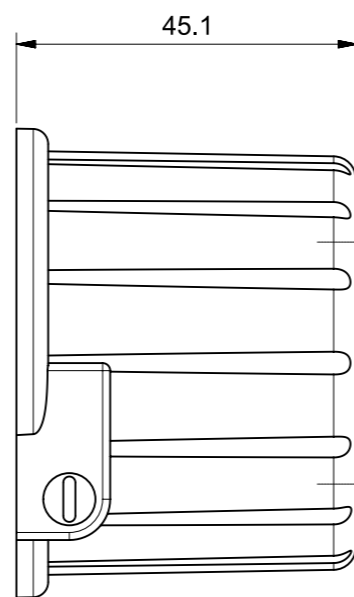
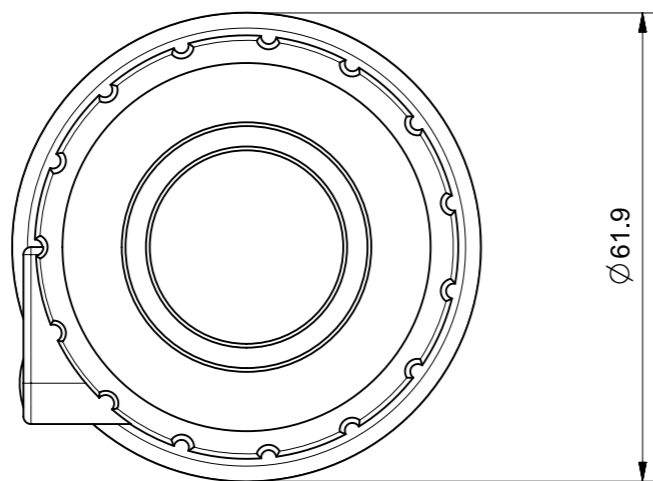
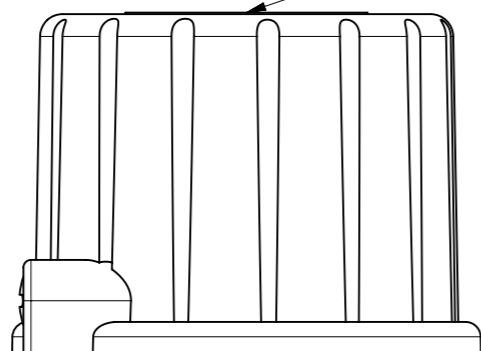

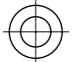


FILETTATURA/THREAD 1/2NPT



<p>At the end of the law, we reserve the ownership of this design may not be copied and transfer it to third parties or competitors</p> <p>SCAME S.p.A. PARRE - (Bergamo)</p>	Format	A3	Scale	1:1	Mould N°	1000XXXX	Drawn	SCAME	
	<p>Tolerances for linear and angular dimensions without indication of specific tolerances: JS13 / UNI 286-1:2010</p>						 	Date	21-07-2016
	DESCRIPTION							Approved	
<p>SCMSAB12 ADAT. TEN. STAGNA 20A 5P 1/2NPT</p>							<p>CODICE Sheet 1 / 1</p> <p>4006571</p>		