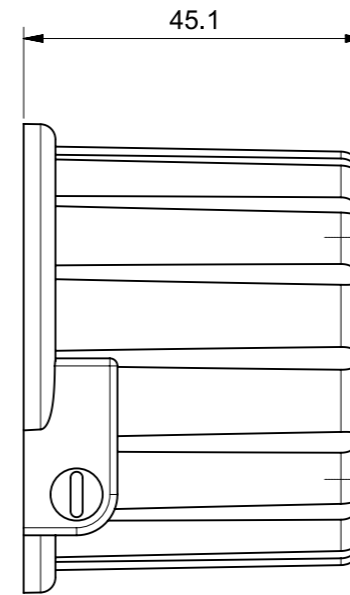
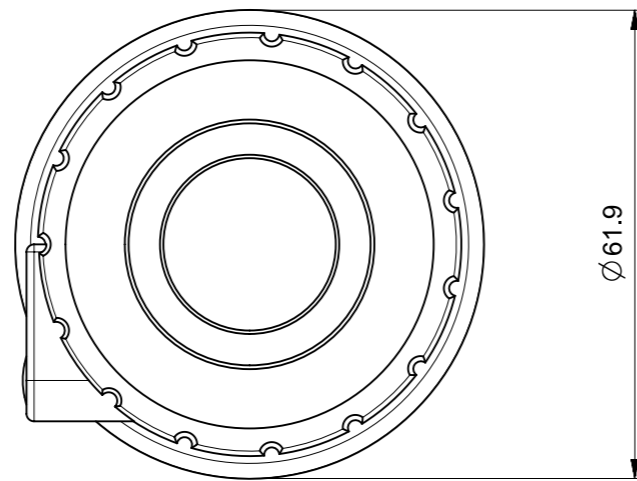
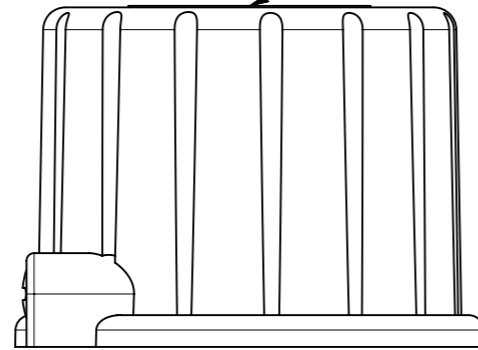


FILETTATURA/THREAD 3/4NPT



<p>At the end of the law, we reserve the ownership of this design may not be copied and transfer it to third parties or competitors</p>	Format	A3	Scale	1:1	Mould N°	1000XXXX	Drawn	SCAME	
	<p>Tolerances for linear and angular dimensions without indication of specific tolerances: JS13 / UNI 286-1:2010</p>							Date	21-07-2016
<p>SCAME S.p.A. PARRE - (Bergamo)</p>							<p>DESCRIPTION</p> <p>SCMSAB34 AD. TEN. STAGNA 30A 3-4P 3/4NPT</p>		<p>Approved</p> <p>CODICE Sheet 1 / 1</p> <p>4006572</p>