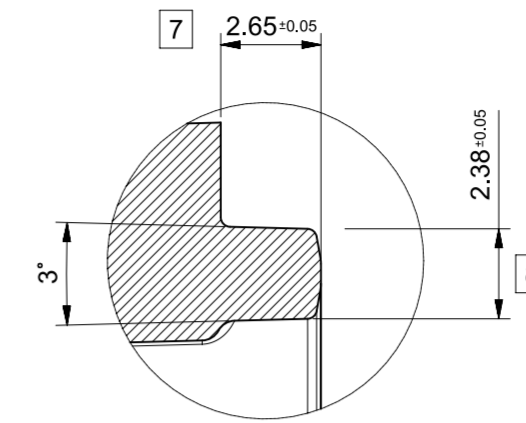
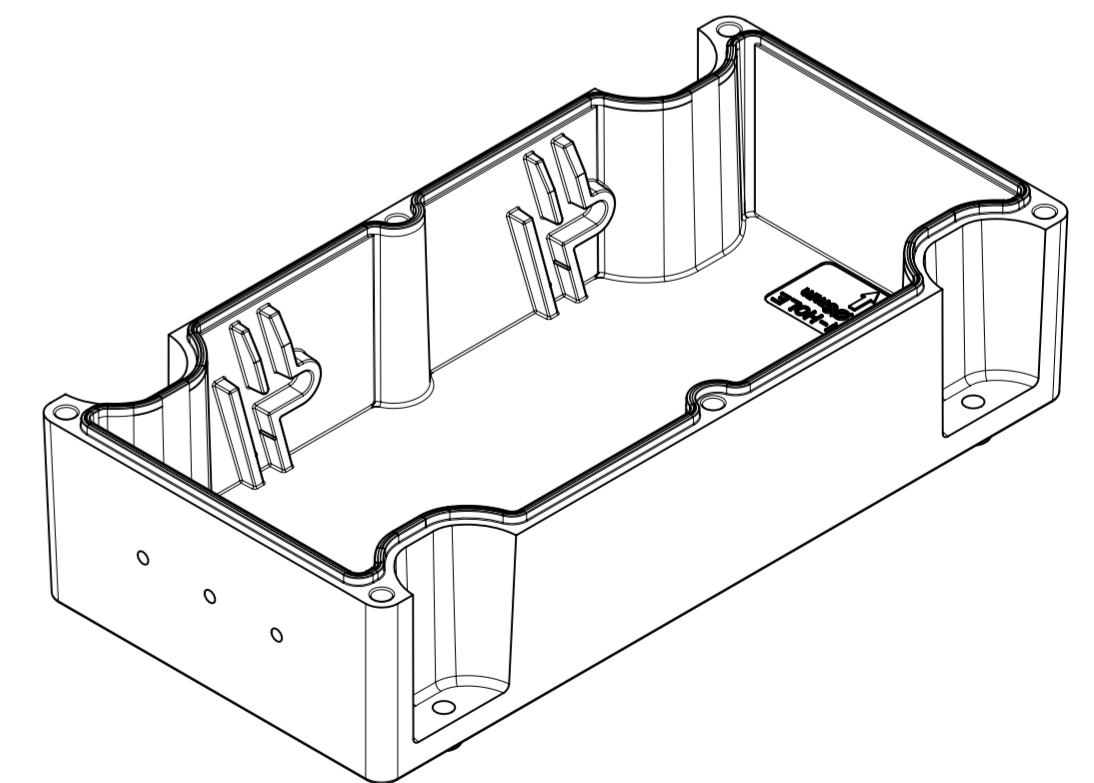
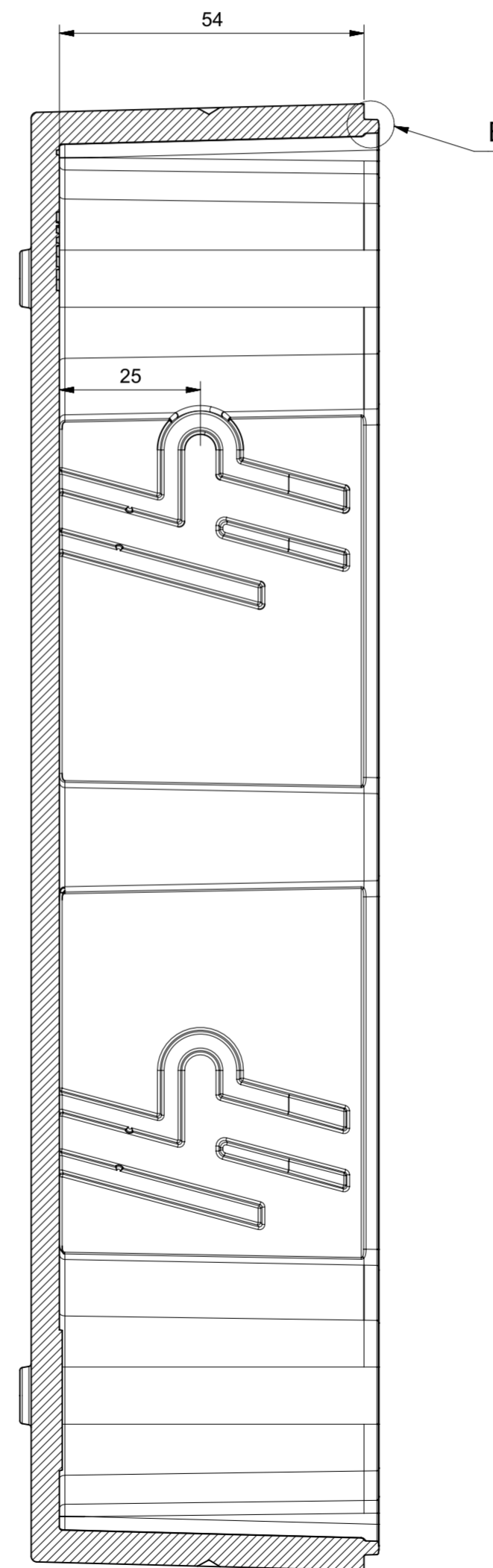


Scala 5:1  
Particolare B



Sezione A-A



At the end of the law, we reserve the ownership of this design may not be copied and transfer it to third parties or competitors	Format	A2	Scale	1:1	Mould N°	30001033	Drawn	L. Valoti
	Tolerances for linear and angular dimensions without indication of specific tolerances: JS13 / UNI 286-1:2010						Date	
 SCAME S.p.A. PARRE - (Bergamo)	DESCRIPTION						CODE	
	BASE GRP 16-32A						4002964	



Sheet 1 / 1