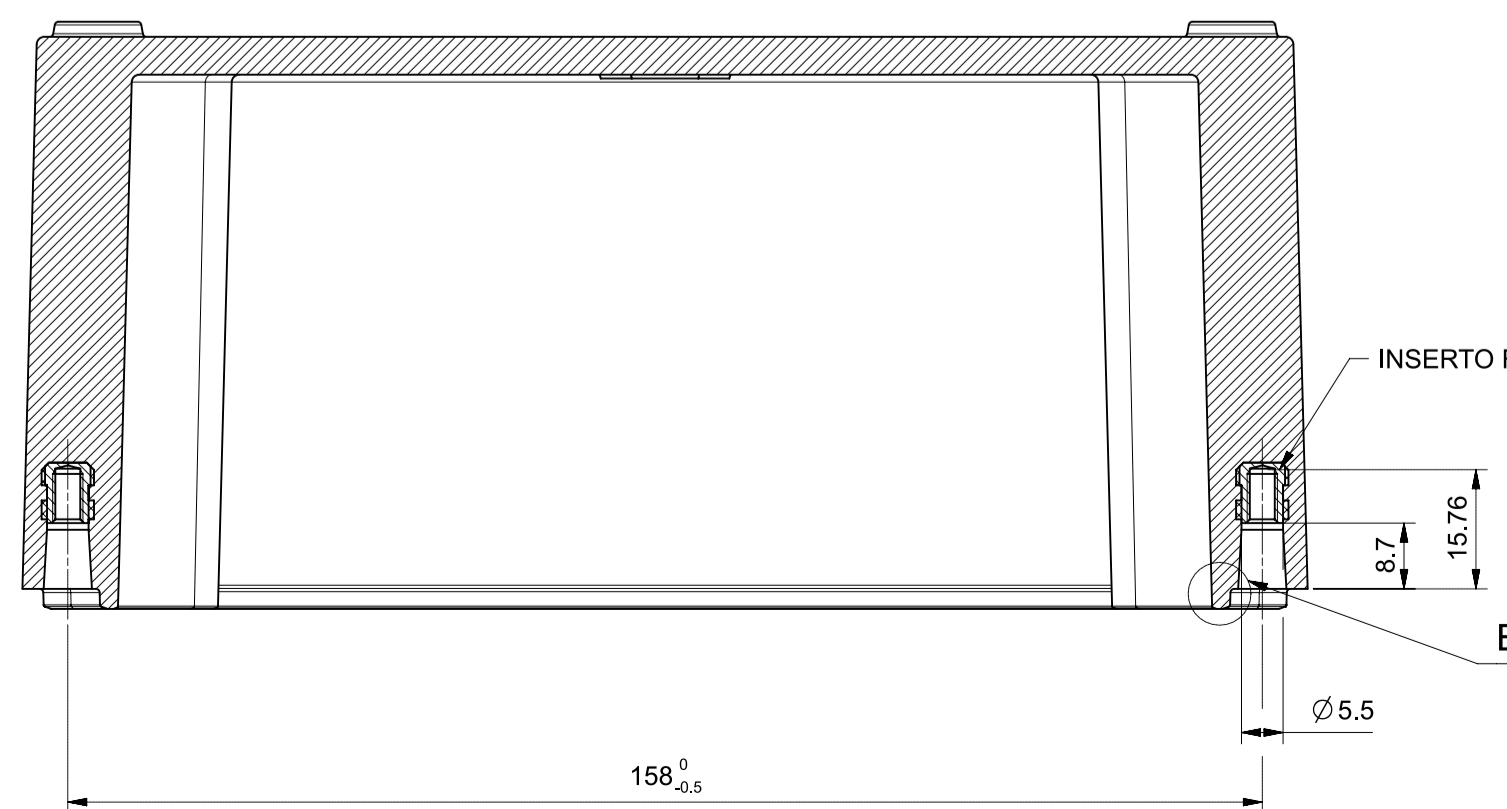
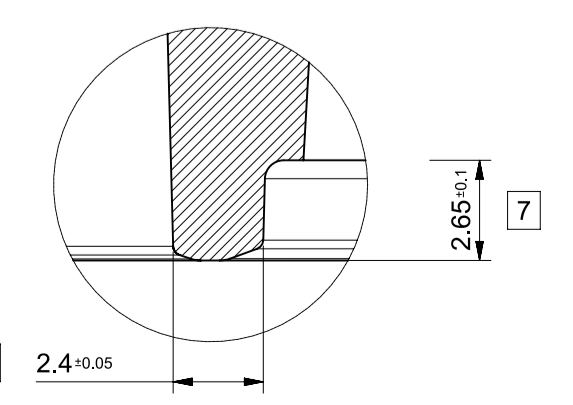


Sezione A-A



INSERTO FILETTATO M4

Scala 5:1 Particolare B



At the end of the law, we reserve the ownership of this design may not be copied and transfer it to third parties or competitors SCAME S.p.A. PARRE - (Bergamo)	Format	A1	Scale	1:1	Mould N°	30001046	Drawn	L. Valoti
	Tolerances for linear and angular dimensions without indication of specific tolerances: JS13 / UNI 286-1:2010							Date
DESCRIPTION BASE PER PRESE GRP 63A Zona1							Approved	
CODE 4003061							Sheet 1 / 1	