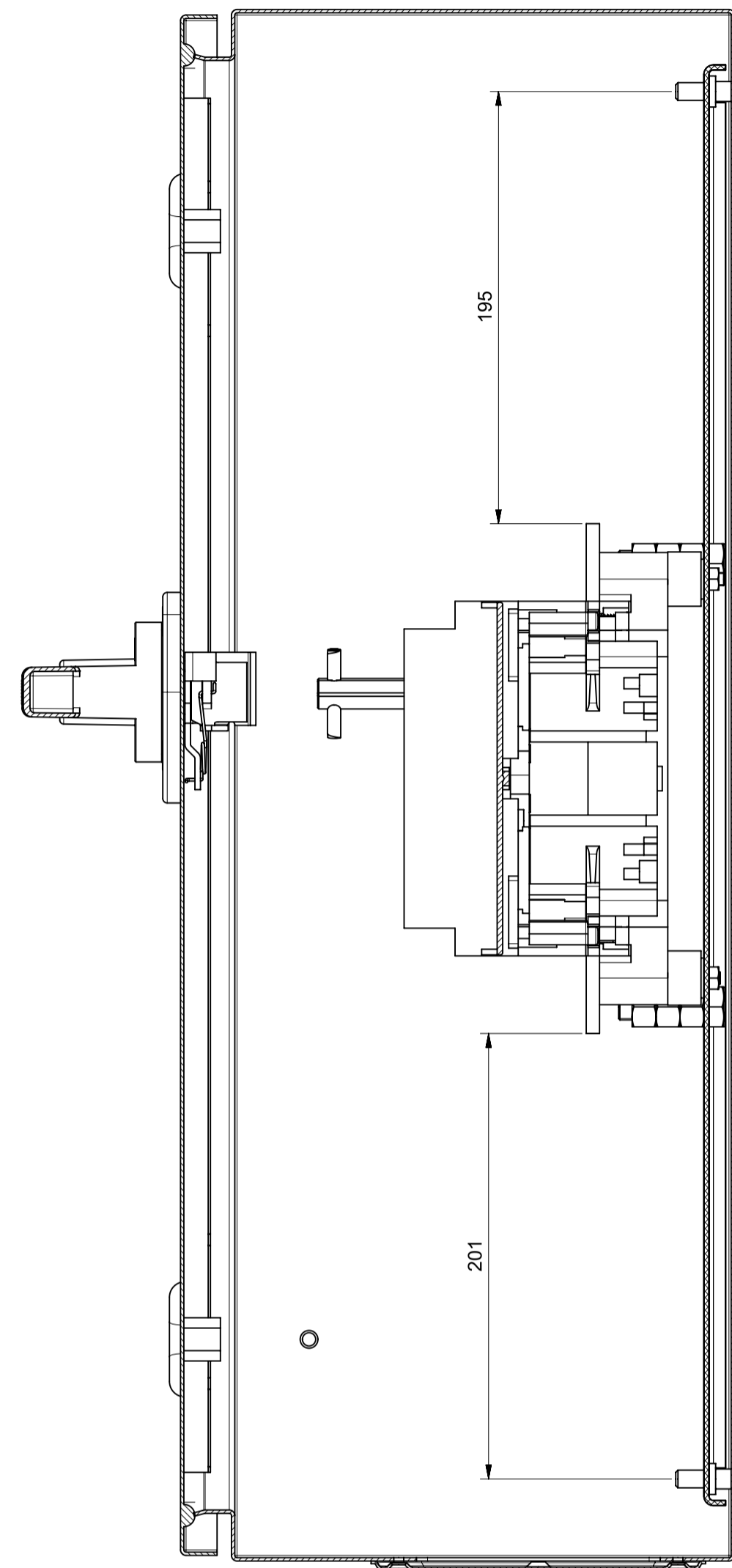
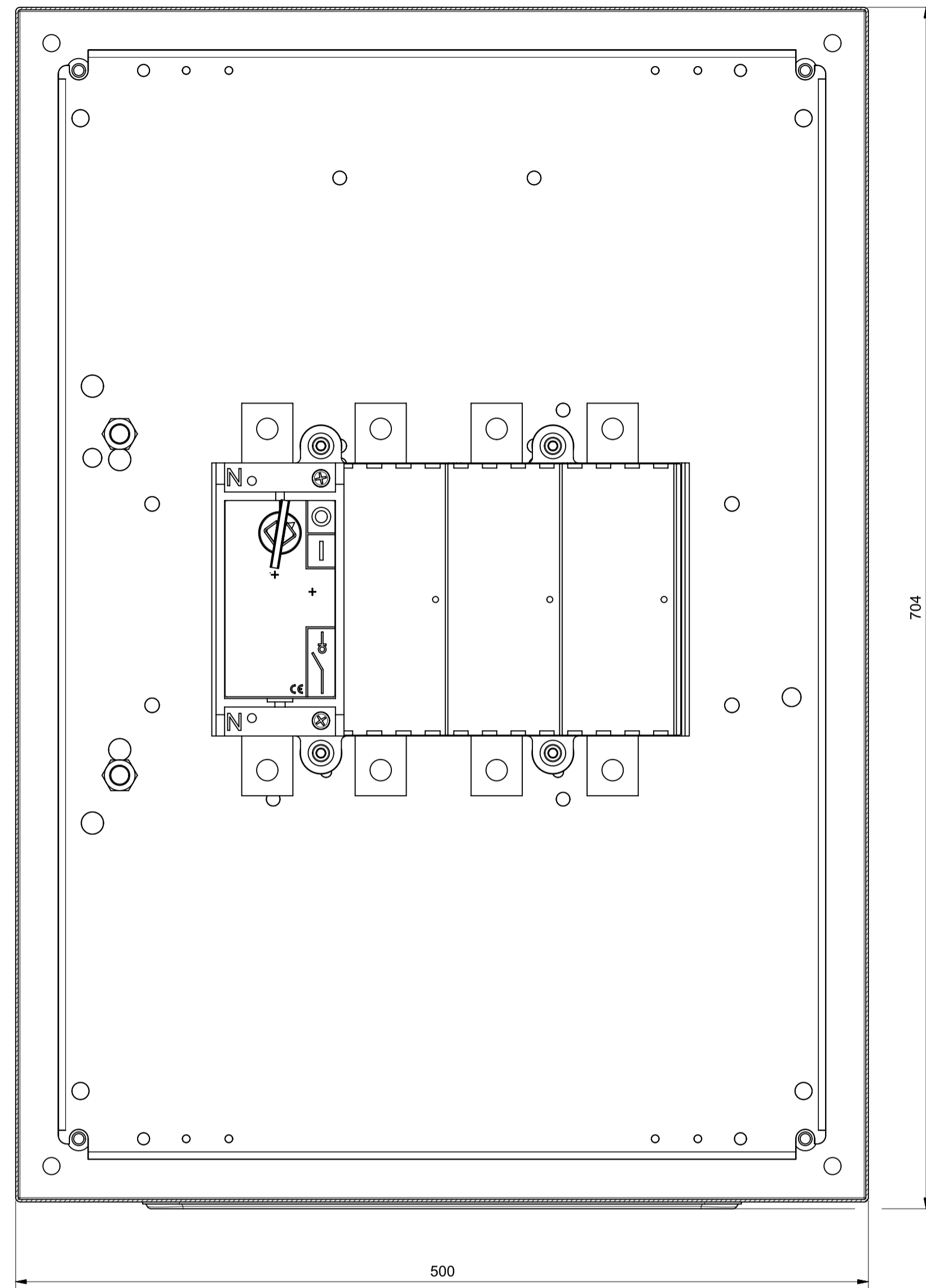


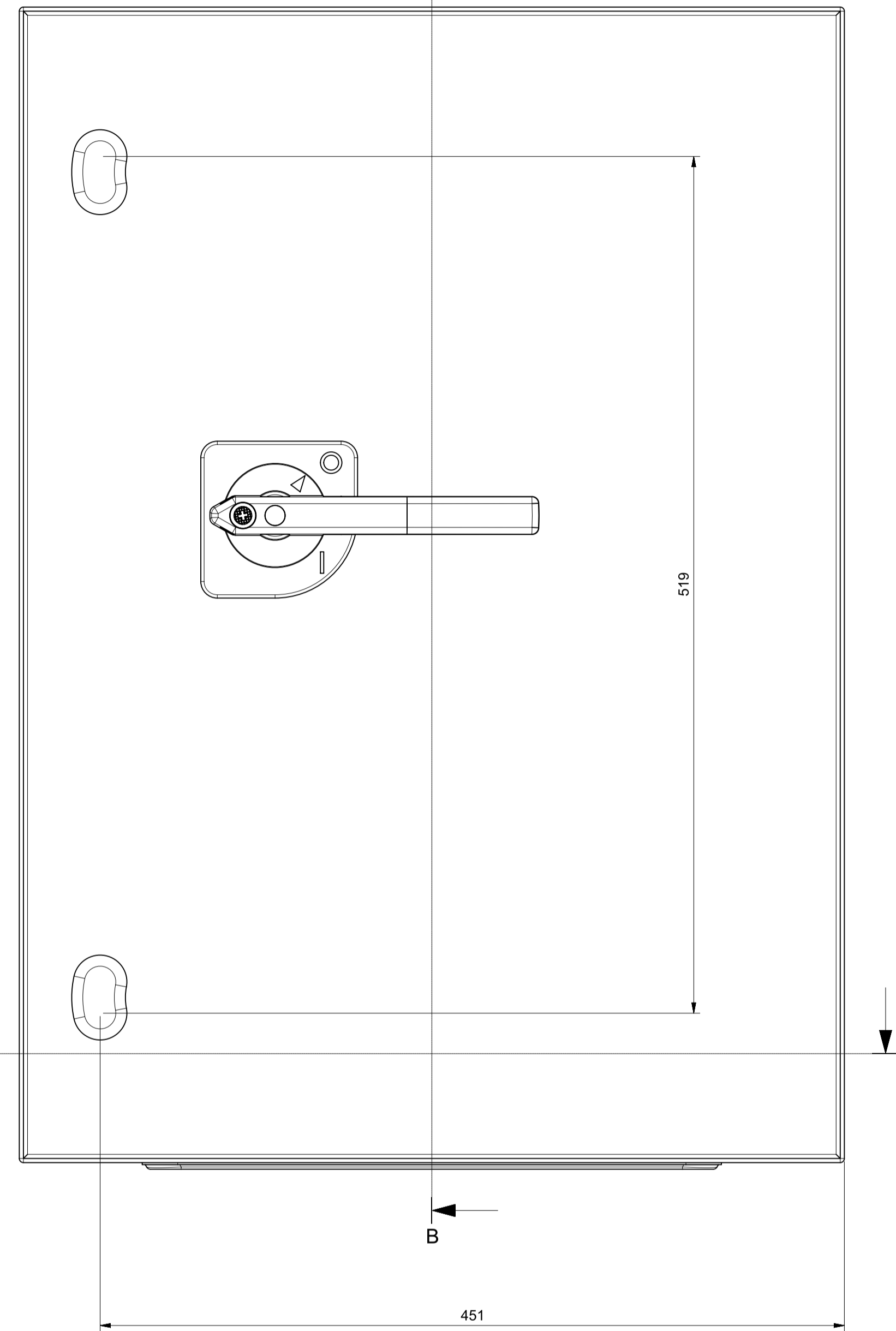
Sezione B-B



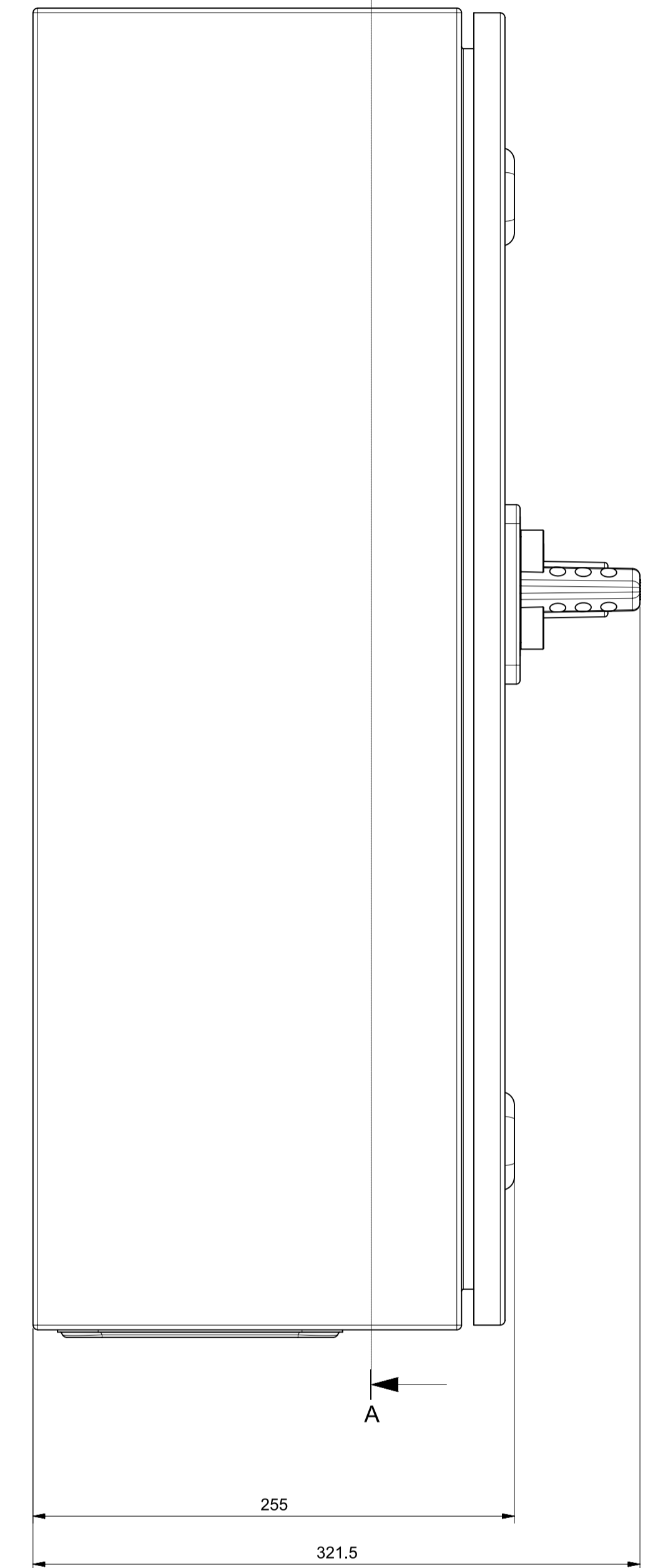
Sezione A-A



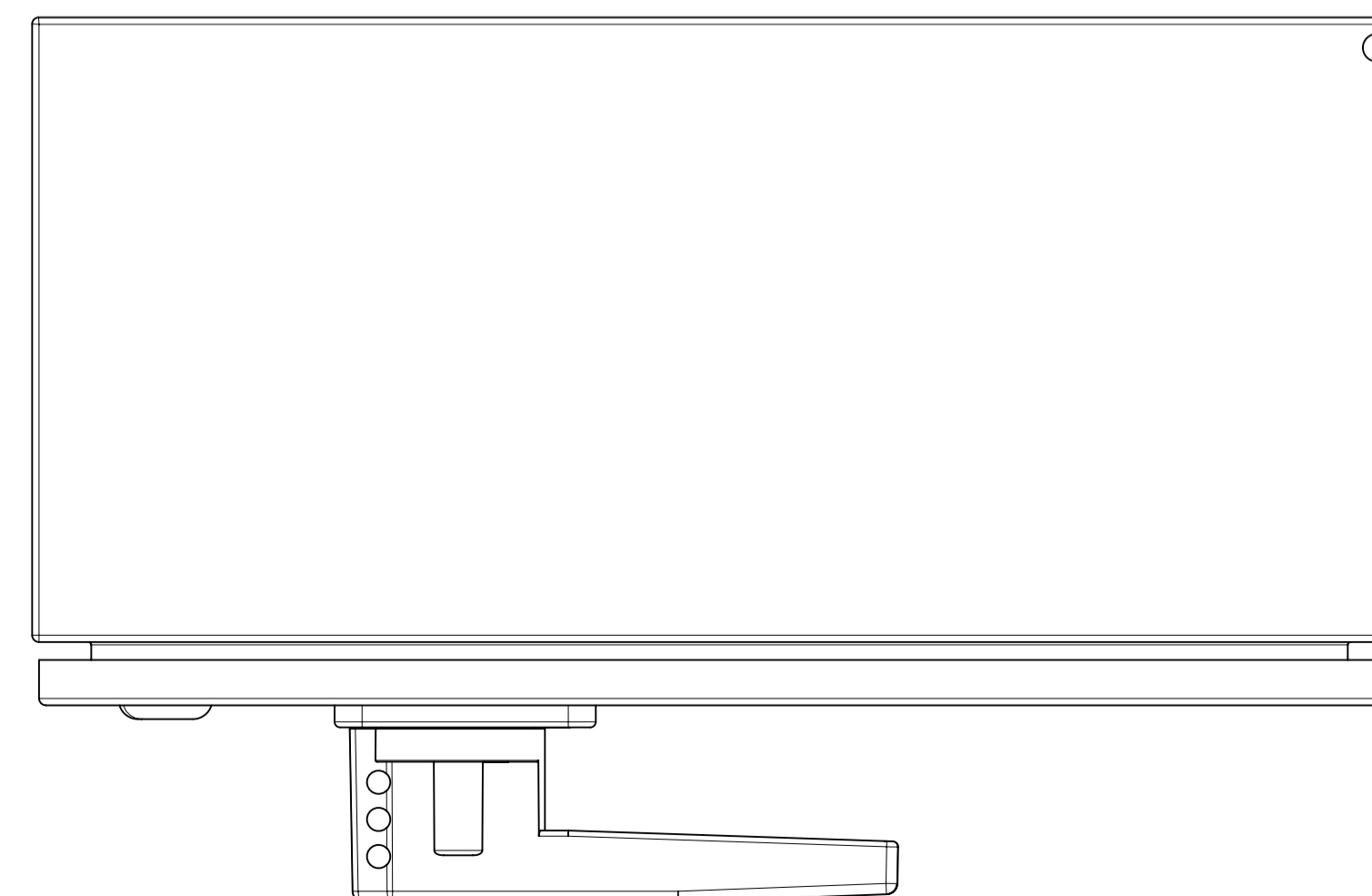
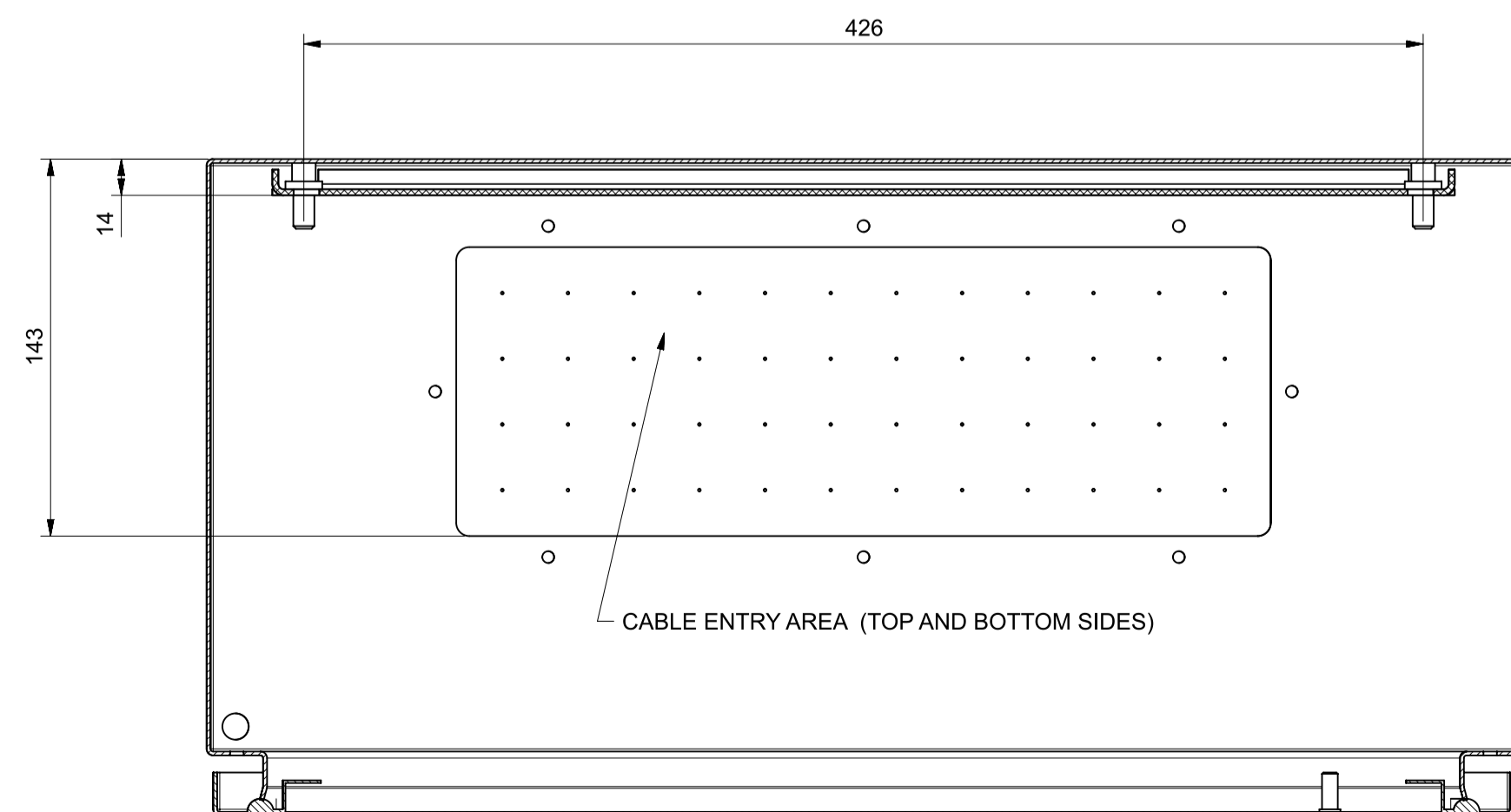
B



A



Sezione C-C



<p>At the end of the law, we reserve the ownership of this design may not be copied and transfer it to third parties or competitors</p> <p>SCAME S.p.A. PARRE - (Bergamo)</p>	Format	A1	Scale	1:2,5	Mould N°		Drawn	SCAME
	<p>Tolerances for linear and angular dimensions without indication of specific tolerances: JS13 / UNI 286-1:2010</p>							Date
<p>DESCRIPTION</p> <p>ISOLATOR HR 630 A 3P+N</p>							CODE	4003075
								Sheet 1 / 1