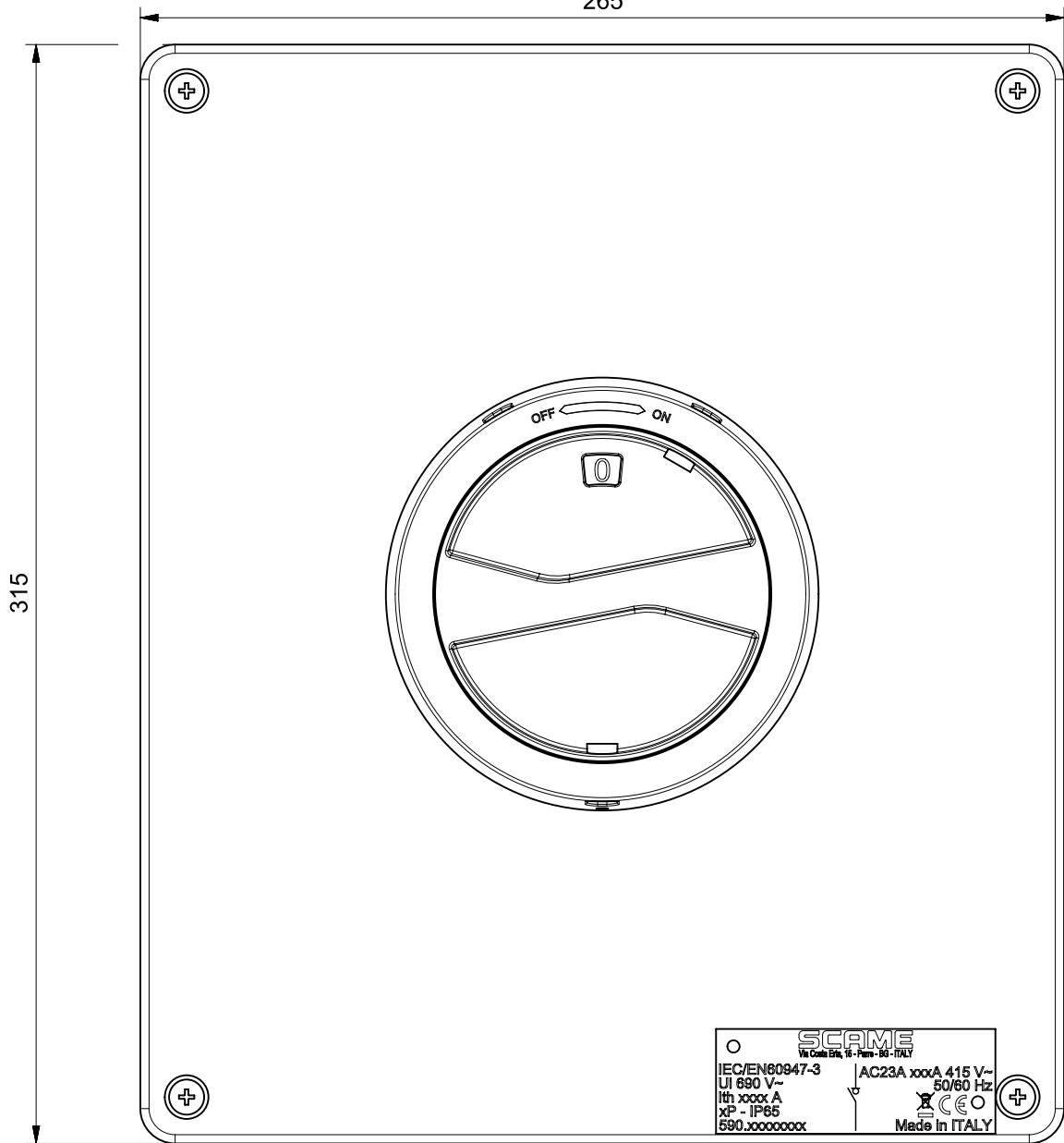


265



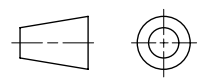
SCAME
 In Confezione, 16 - Pann. - 160 - ITALY
 IEC/EN60947-3 AC23A xxxA 415 V~
 UI 690 V~ 50/60 Hz
 IIn xxxA
 xP - IP66
 590.xxxxxxxx
 Made in ITALY

Under the terms of the law we reserve the ownership of this design may not be copied and transfer it to third parties or competitors

Format A4V Scale 1:2 Mould N°

Drawn scame

Tolerances for linear and angular dimensions without indication of specific tolerances: JS13 / UNI 286-1:2010



Date
 Approved

SCAME
 S.p.A.
 PARRE - (Bergamo)

DESCRIPTION
INT. DI MANOVRA/SEZ. 6P IP66

CODE Sheet 1 / 1
4014100