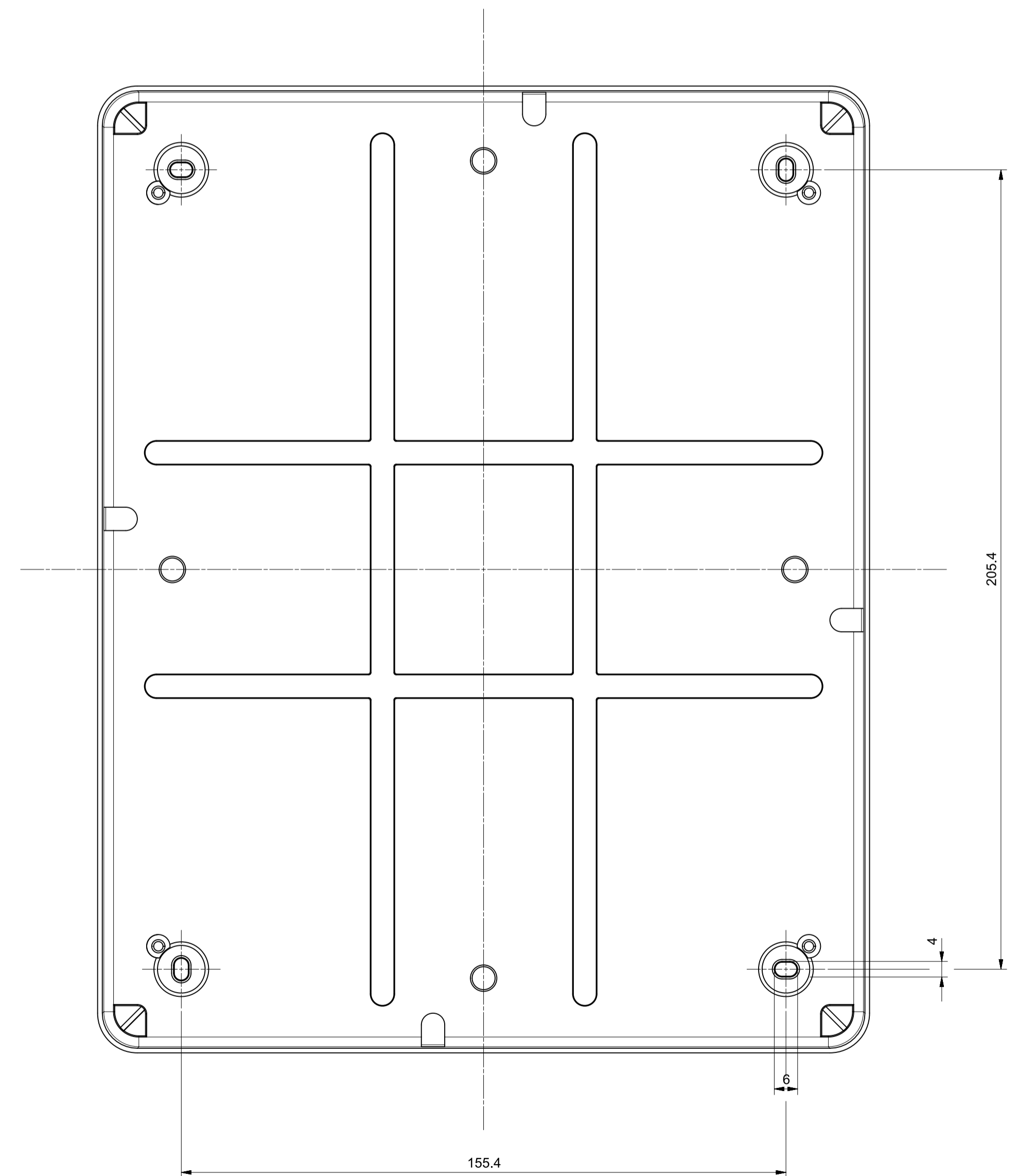
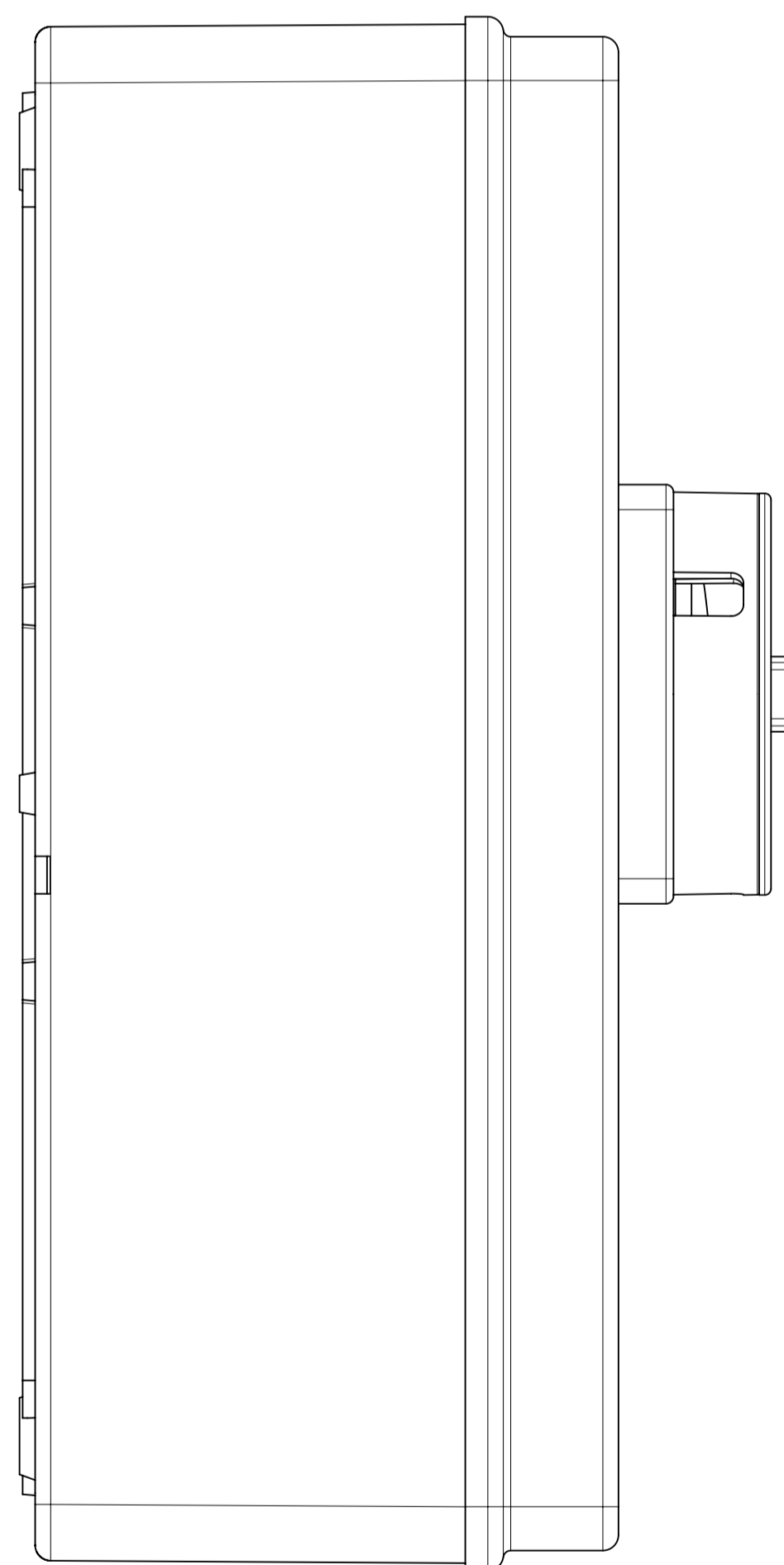
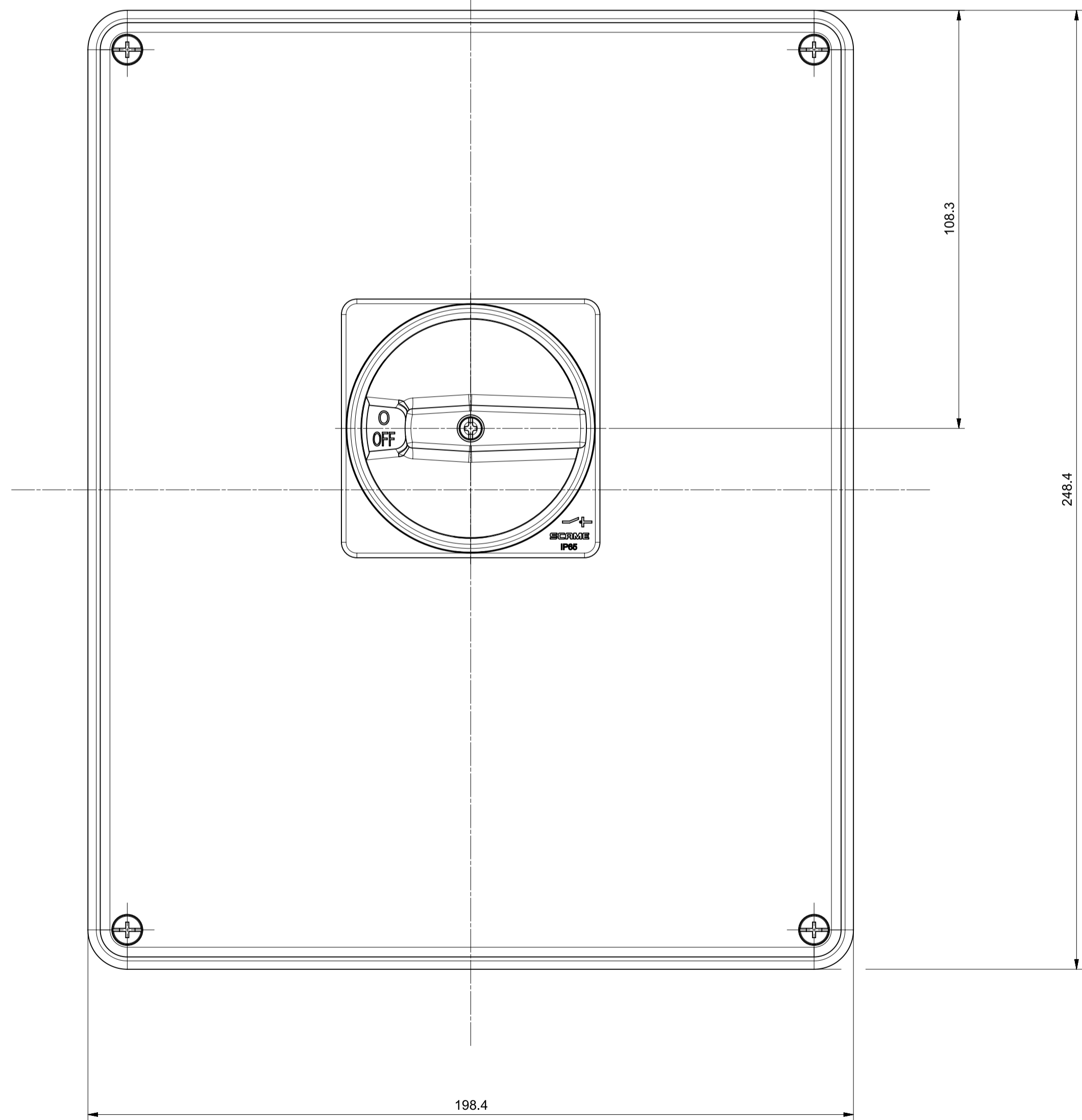


SCALA 1:2



At the end of the law, we reserve the ownership of this design may not be copied and transfer it to third parties or competitors	Format	A1	Scale	1:1	Mould N°		Drawn	SCAME
	Tolerances for linear and angular dimensions without indication of specific tolerances: JS13 / UNI 286-1:2010							Date
SCAME S.p.A. PARRE - (Bergamo)	DESCRIPTION ISOLATORS C/FUS 16-32A 4P INVOLUCRO TERMOPLASTICO						CODE 4005689	Sheet 1 / 1
								Approved