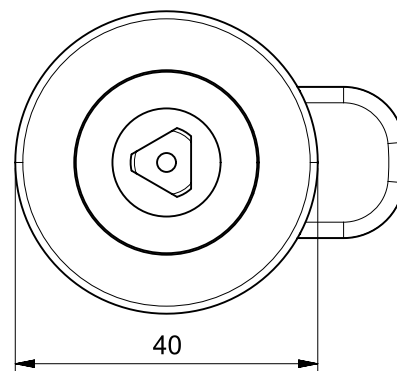
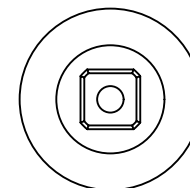


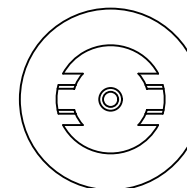
SERRATURA TRIANGOLARE



SERRATURA QUADRATA

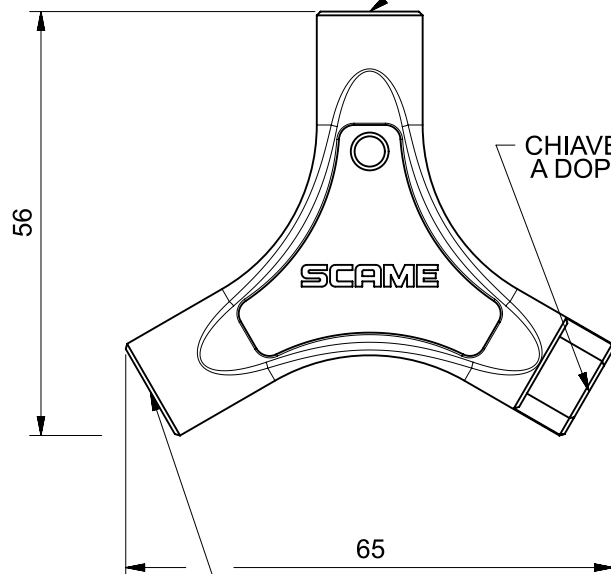


SERRATURA DOPPIA BARRA

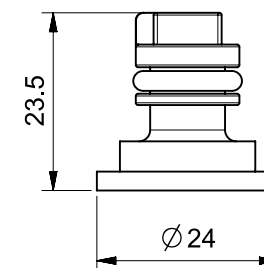
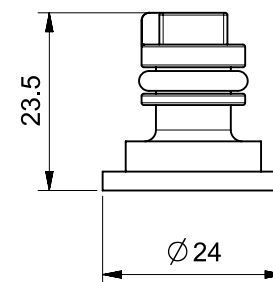
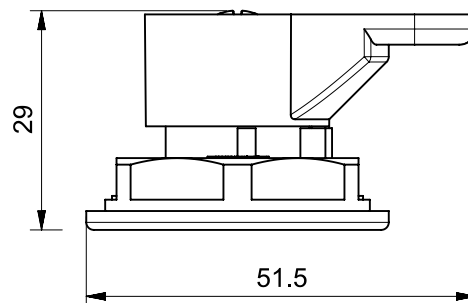


CHIAVE PER SERRATURA TRIANGOLARE

CHIAVE PER SERRATURA A DOPPIA BARRA



CHIAVE PER SERRATURA QUADRATA



<p>Under the terms of the law we reserve the ownership of this design may not be copied and transfer it to third parties or competitors</p> <p>SCAME S.p.A. PARRE - (Bergamo)</p>	Format	A40	Scale	1:1	Mould N°	Drawn	SCAME	
	Tolerances for linear and angular dimensions without indication of specific tolerances: JS13 / UNI 286-1:2010						Date	03/05/2019
	DESCRIPTION						Approved	
<p>KIT SERRATURA DI RICAMBIO EASYBOX</p>						CODE	Sheet 1 / 1	
							4011178	