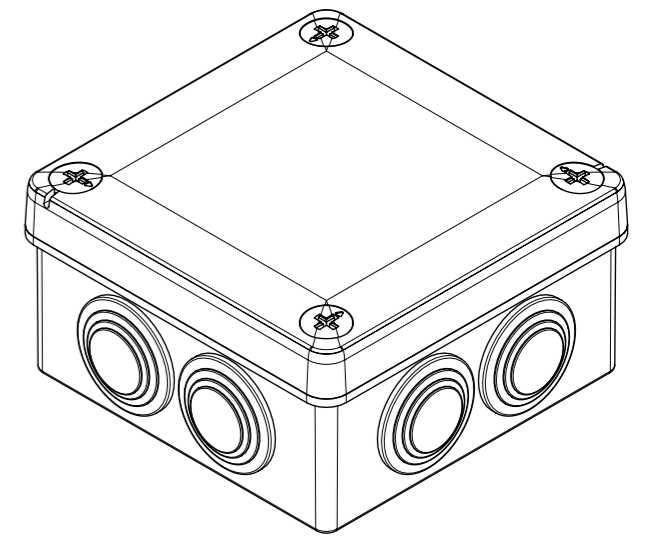
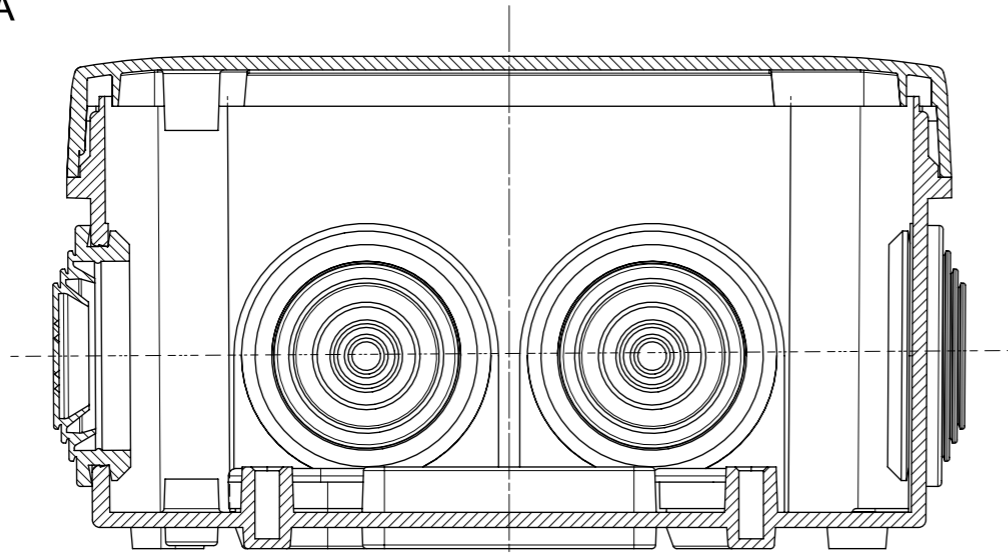
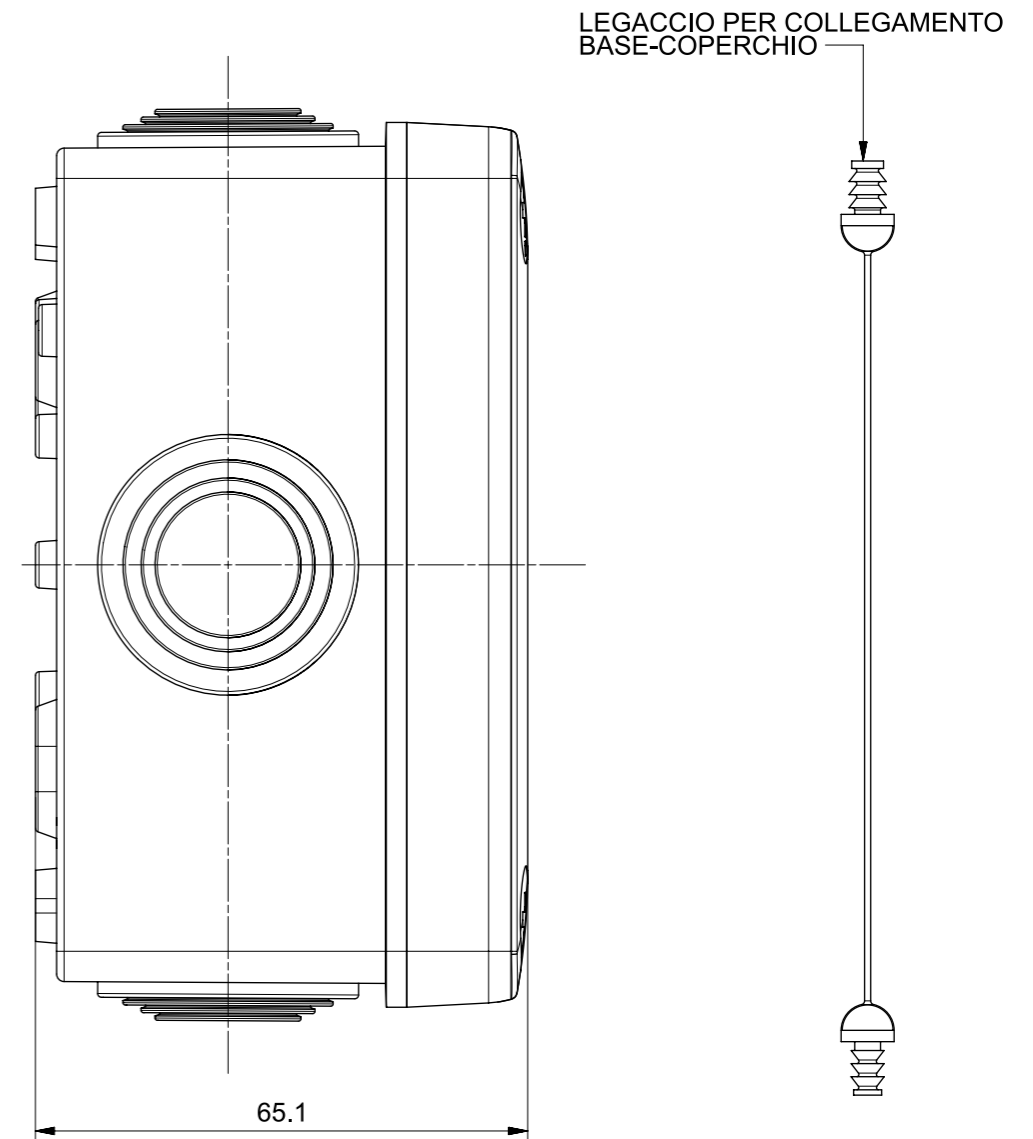
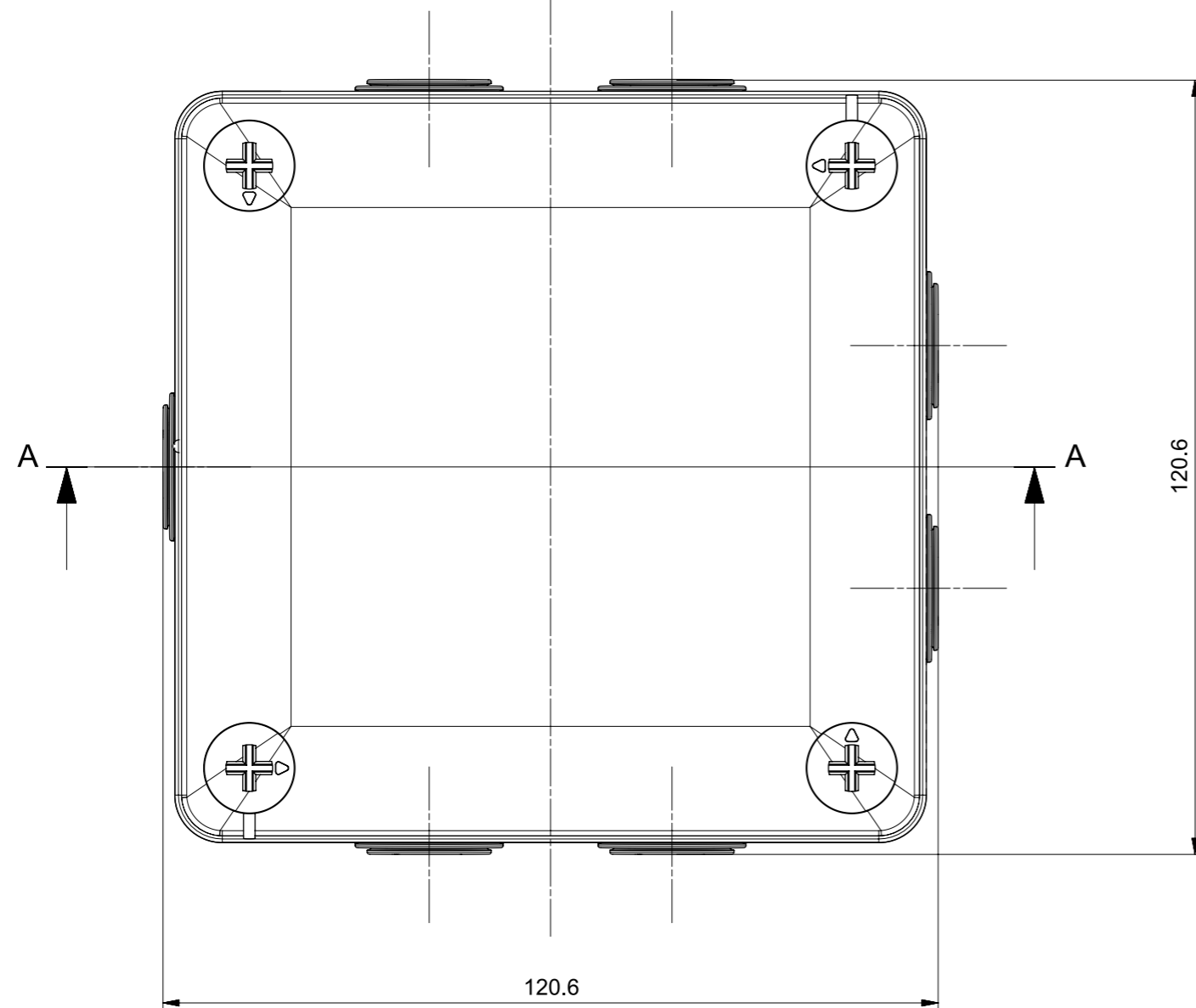


Sezione A-A



SCALA 1:2



<p>At the end of the law, we reserve the ownership of this design may not be copied and transfer it to third parties or competitors</p> <p>SCAME S.p.A. PARRE - (Bergamo)</p>	Format	A3	Scale	1:1	Mould N°		Drawn	SCAME	
	Tolerances for linear and angular dimensions without indication of specific tolerances: JS13 / UNI EN20286							Date	
	DESCRIPTION							Approved	
<p>SCATOLA DER. 100x100 C/PAS. IP55</p>							CODICE	Sheet 1 / 1	
								4002253	