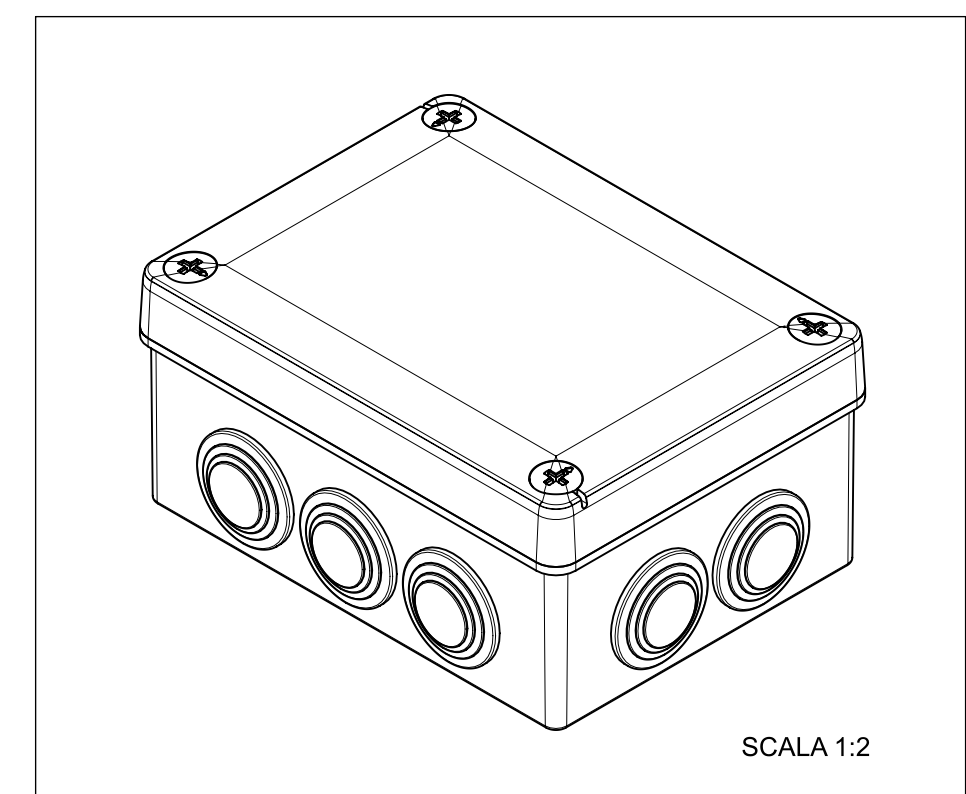


LEGACCIO PER COLLEGAMENTO
BASE-COPERCHIO



SCALA 1:2

At the end of the law, we reserve the ownership of this design may not be copied and transfer it to third parties or competitors	Format	A2	Scale	1:1	Mould N°		Drawn	SCAME
	Tolerances for linear and angular dimensions without indication of specific tolerances: JS13 / UNI EN20286							Date
SCAME S.p.A. PARRE - (Bergamo)	DESCRIPTION						CODE	Sheet 1 / 1
	SCATOLA DER.150X110 CON PASSACAVI IP55 CUBIK						4002641	