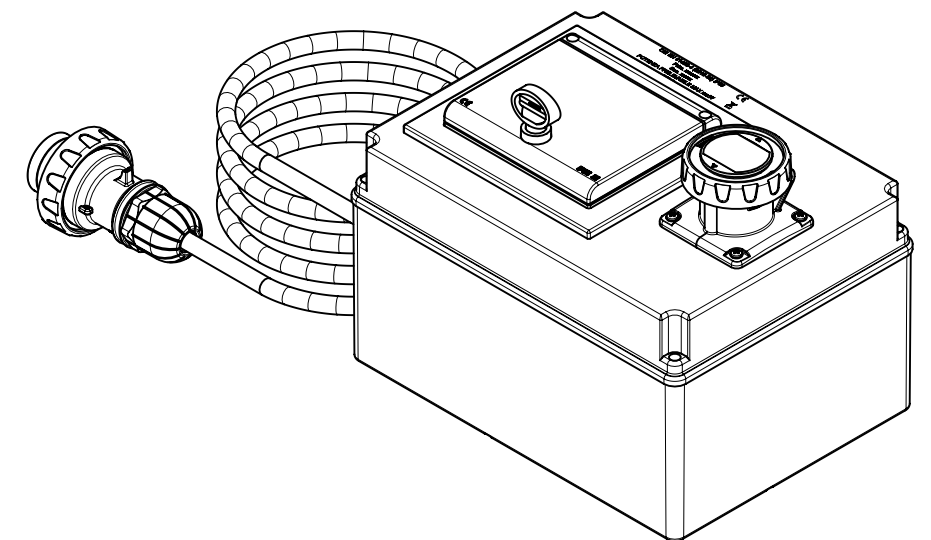


SPINA VOLANTE 218.1633 serie OPTIMA



| | | | | | | | | |
|--|---|----|-------|-----|----------|--|--------------------|-------|
| Under the terms of the law we reserve the ownership of this design may not be copied and transfer it to third parties or competitors | Format | A3 | Scale | 1:5 | Mould N° | | Drawn | SCAME |
| | Tolerances for linear and angular dimensions without indication of specific tolerances: JS13 / UNI 286-1:2010 | | | | | | Date | |
| | | | | | | | Approved | |
| SCAME S.p.A. PARRE - (Bergamo) | DESCRIPTION | | | | | | CODICE Sheet 1 / 1 | |
| | QUADRO SCABOX C/TRASF. 230/230V 1000VA | | | | | | 4013797 | |