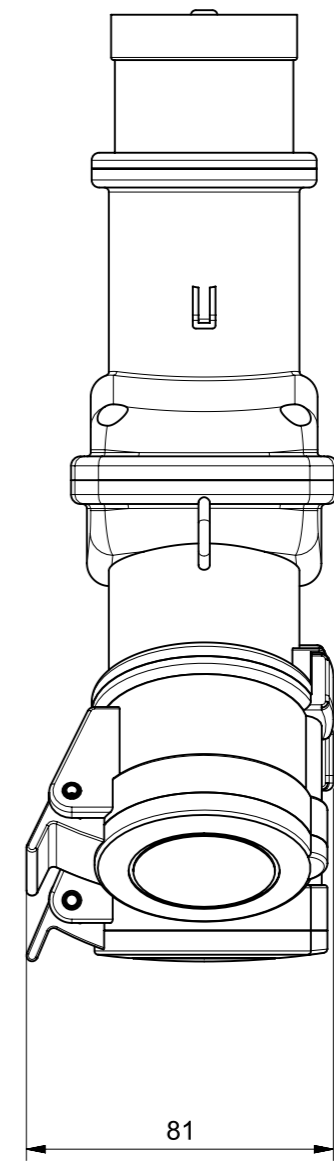
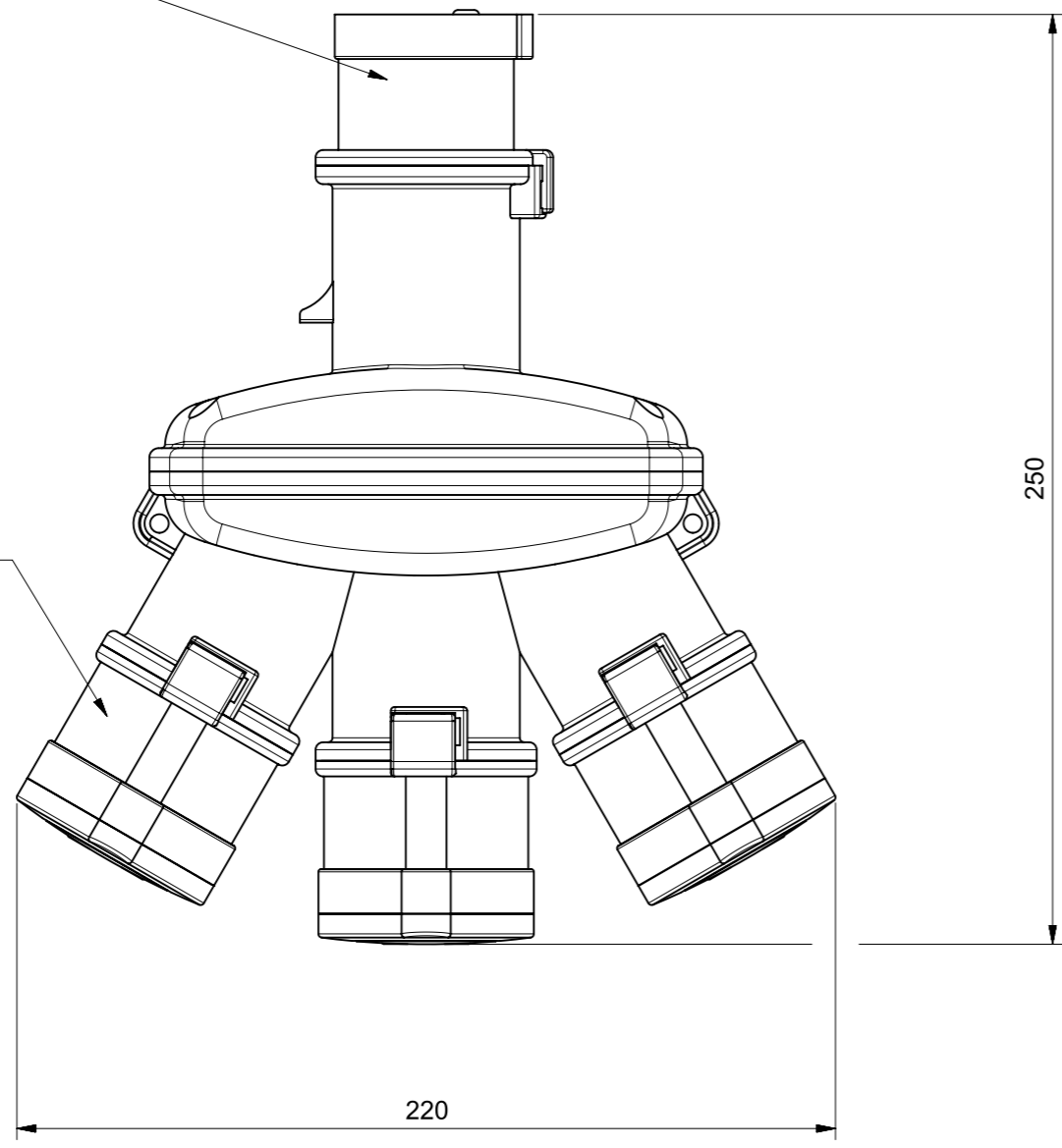


SPINA / PLUG 3P+T 6h 16A IP44

N° 3 PRESE / CONNECTORS
3P+T 6h 16A IP44



At the end of the law, we reserve the ownership of this design may not be copied and transfer it to third parties or competitors	Format	A3	Scale	1:2	Mould N°	1000XXXX	Drawn	SCAME	
	Tolerances for linear and angular dimensions without indication of specific tolerances: JS13 / UNI 286-1:2010							Date	gg-mm-aaaa
								Approved	
SCAME S.p.A. PARRE - (Bergamo)	DESCRIPTION ADATTATORE TRIPLO S/CAVO IP44 16A						CODICE Sheet 1 / 1 4008168		