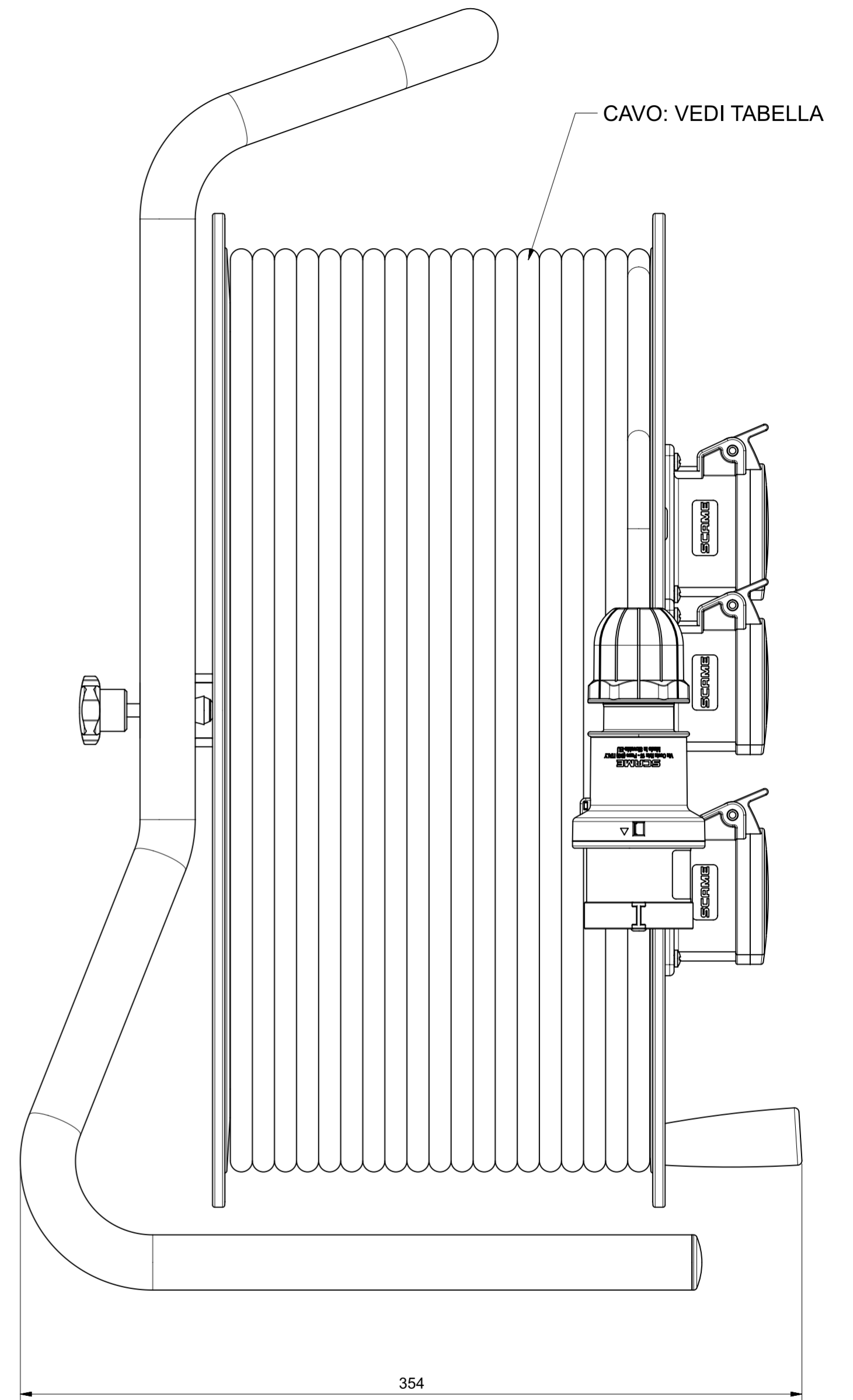


N° 4 PRESE IEC 309  
3P+T 6h 16A IP44

SPINA IEC 309  
3P+T 6h 16A IP44 reverse



CAVO: VEDI TABELLA

| CODICE AVVOLGICAVO | TIPO DI CAVO | SEZIONE (mm <sup>2</sup> ) | LUNGHEZZA (m) |
|--------------------|--------------|----------------------------|---------------|
| 745.3005-013       | H07RN-F      | 4x2,5                      | 30            |
| 745.5005-013       | H07RN-F      | 4x2,5                      | 50            |

|  |   |    |       |     |          |          |       |          |            |
|--|---|----|-------|-----|----------|----------|-------|----------|------------|
| <p>At the end of the law, we reserve the ownership of this design may not be copied and transfer it to third parties or competitors</p> <p><b>SCAME</b><br/>S.p.A.<br/>PARRE - (Bergamo)</p> | Format  | A2 | Scale | 1:2 | Mould N° | 1000XXXX | Drawn | SCAME    |            |
|  | Tolerances for linear and angular dimensions without indication of specific tolerances: JS13 / UNI 286-1:2010 |    |       |     |          |          |       | Date     | gg-mm-aaaa |
|  | DESCRIPTION   |    |       |     |          |          |       | Approved | CODE       |
| AVVOLGICAVO ROLLER 450   |   |    |       |     |          |          |       | 4007984  |            |