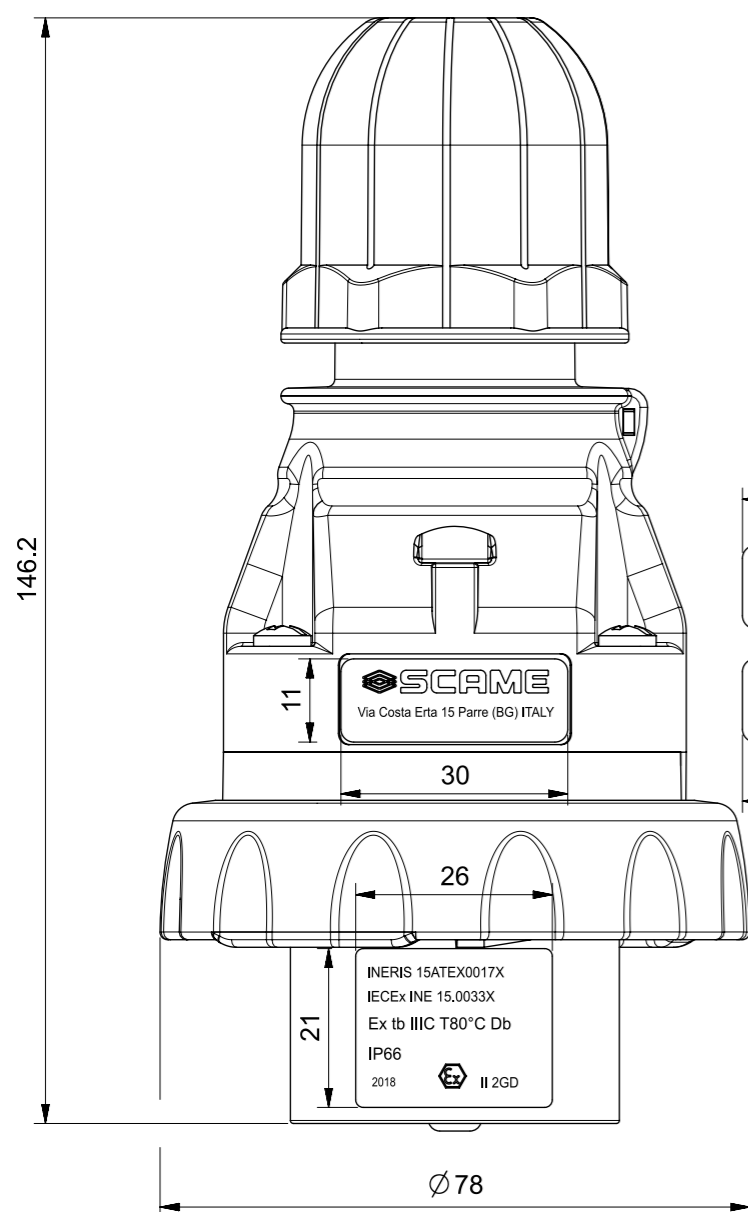


SCALA 2:1



WARNING
T_{cab} 80°C when the
maximum T_a is +60°C

219.1633
2P+T 16A
6h 200-250V



Ex eb IIC T5 Gb
Tamb. -35/+60°C
Ex eb IIC T6 Gb
Tamb. -35/+50°C

16	MP38432	SIGILLANTE SILICONICO LOXEAL 59-20	3	G	
15	SL20710	COP.TTO SP/PR EX ZONA1 2P+T 16A	1	NR	4000056
14	MP26606	VITE AUT. 3x11 TC TT SP PF	3	NR	4000912
13	MP26519	VITE AUT. 4x22 TB SP CC PFPP INOX	3	NR	4000911
12	MP06257	MORSETTO A MANTELLO 16A	3	NR	4000914
11	SL20704	FRUTTO SPINA EX 2P+T 16A ZONA1	1	NR	4000050
10	SL20733	SPINOTTO FASE 16A PER ZONA1	2	NR	4000067
9	SL20734	SPINOTTO TERRA 16A PER ZONA1	1	NR	4000068
8	SL22513	FERMACAVO OPTIMA 2-3P+T 16A	1	NR	4000410
7	MP40184	GUARN. PRESSACAVO 2-3P+T 16A ZONA1	1	NR	4000929
6	SL20701	GHIERA PRESSACAVO 2/3P+T 16A ZONA1	1	NR	4000047
5	SL20697	IMPUGNATURA SPINA EX ZONA1 2P+T 16A	1	NR	4000043
4	MP38136	GUARNIZIONE OR D41X2 SIL 70 SH ROSSO	1	NR	4000968
3	SL20869	GHIERA BLU 2P+T 16A ZONA1	1	NR	4000262
2	MP40179	GUARNIZIONE COPERCHIO 2P+T 16A IP67	1	NR	4000919
1	SL20716	CORPO SPINA EX ZONA1 2P+T 16A IP67	1	NR	4000062
POS.	CODICE	DESCRIZIONE	Q.TA	UM	DISEGNO

At the end of the law,
we reserve the ownership
of this design may not
be copied and transfer it
to third parties or competitors

Format A3 Scale 1:1 Mould N° 1000XXXX

Tolerances for linear and angular dimensions without
indication of specific tolerances: JS13 / UNI EN20286



Drawn SCAME

Date

Approved

SCAME
S.p.A.
PARRE - (Bergamo)

DESCRIPTION
SPINA MOBILE IP66 16A 2P+T ZONA1



CODICE Sheet 1 / 1
4000880