

NEW

NXCITO LINE

NIEDAX[®]

MTC WIRE MESH TRAY

2017

ICONS

New	Siderail Height in mm	Temperature resistance	Reference Note
Discontinued model	Wire Diameter in mm	Fast Install	Information pages
No halogen	Pipe Diameter in mm	Hardware	
No silicone	Pipe Diameter in mm	Installation Instructions	

All products in this catalog are classified according to the EAN code (13 digits). The first 7 digits indicate the country (40 = Germany) and the manufacturer's code (13339 = Niedax). The following six digits are the product code. Example EAN code of the product TK = 40 60.85 13339 183708.



Please ask for the Certifications VDE/UL

Steel

- B** Steel, bare
- V** Steel, galvanized according to DIN EN ISO 50 961/50979 and DIN EN ISO 2081, blued, (Replacement galvanized according to DIN EN ISO 4042)
- VC** Steel, galvanized according to nach DIN 50961/50979 und DIN EN ISO 2081, blued and powdercoated
- G** Steel, galvanized according to DIN EN ISO 50 961/50979 and DIN EN ISO 2081, passivated, (Replacement galvanized according to DIN EN ISO 4042)
- S** Steel, pre-galvanized according to DIN EN 10346
- F** Steel, hot dip galvanized after fabrication (HDGAF) according to DIN EN ISO 1461 (Replacement according to DIN EN ISO 50 976)
- SB** Steel, black-oxide finish
- FG** Steel, geomet[®] galvanized
- DV** Steel, wire galvanized according to DIN EN 10244
- C** COLOR Steel, pre-galvanized and powdercoated

C	STANDARD COLOURS				SURFACE IN ALUMINIUM	
	R	W	L	WA	N	P
Complete model-No. for the colour identity	white RAL 9010	creme white RAL 9001	light grey RAL 7035	white aluminium RAL 9006	aluminium natural anodized	aluminium plate-finished

Other RAL colours on requests. For possible colour divergences we assume no liability .

- | | | |
|---|--|--|
| <ul style="list-style-type: none"> F1 Steel, zinc coating and chromate
Steel, zinc coating & chromate Thickness of zinc is between 8-12 microns, electrolytic galvanizing & additionally chromated. Corrosion resistance measured by using a salt spray test according to DIN 50021 (ASTM-B117-90) at least 72 hours. F2 Steel, hot dip galvanized
Thickness of zinc between 50-70 microns, after immersion machining in a bath of molten zinc. F3 Stainless steel (material number. 1.4401 [316])
Indoor use / Outdoor in humid environments and moderately aggressive. F4 Steel, coated
Dekor-lacquer interior use in dry environments and not corrosive. F5 Brass
For indoor use only. | <ul style="list-style-type: none"> F6 Natural colour
Untreated material against corrosion. F7 Steel, plastic coating
EVA (Ethylene Vinyl Acetate Copolymer Saponifies, Levasint[®]) resistance to fire according to DIN 4102. F8 Steel, mechanical zinc plated / passivated
High quality coating. Corrosion resistance measured by means of a test salt spray according to DIN 50 021 (ASTM-B117-90) is at least 500 hours. F9 Steel, mechanical zinc plated / passivated
High quality coating. Corrosion resistance measured by means of a test salt spray according to DIN 50021 (ASTM-B117-90) is at least 600 hours. F10 Steel, electrical mechanical / passivated
Zinc coating thickness of 5 microns, electrolytically applied and clear passivated according to BS EN 12329 2000 FE/ZN5/A. | |
|---|--|--|

AL Aluminium, N = naturally anodized, P = mill-finished, C = powdercoated in RAL colours

- P** Electrotechnical Porcelain, non halogen
- MS** Brass
- CU** Copper

Stainless Steel

- | | | | |
|--|--|----------------------------------|-----------------------------------|
| E1 Material Code.: 1.4016 | E4 Material Code.: 1.4401, 1.4404 | E7 Material Code.: 1.4547 | E10 Material Code.: 1.4307 |
| E2 Material Code.: 1.4310 | E5 Material Code.: 1.4571 | E8 Material Code.: 1.4430 | E11 Material Code.: 1.4034 |
| E3 Material Code.: 1.4301, 1.4303 | E6 Material Code.: 1.4529 | E9 Material Code.: 1.4362 | |

Plastics/Elastomer

- | | |
|--|---|
| K01 PA - Polyamide, non halogen | K14 POM - Polyacetal |
| K02 PS - Polystyrene, non halogen, impact resistant | K15 SBR - Styrene-Butadiene Rubber |
| K03 PE - Polyethylene, non halogen | K16 CR/NBR - Chloroprene/Nitrile Rubber, halogenated |
| K04 PP - Polypropylene, non halogen | K17 CR/SBR - Chloroprene/Styrene-Butadiene Rubber, halogenated |
| K05 PC - Polycarbonate, non halogen | K18 TPE - Thermoplastic Elastomer |
| K06 SBR/NBR - Styrene-Butadiene-Nitrile Rubber | K19 FS 31 - Phenolic Resin |
| K07 CR - Chloroprene Rubber, halogenated | K20 SI - Silicone Rubber |
| K08 NBR - Nitrile Rubber | K21 PUR - Polyurethane |
| K09 PVC hard - Hard Polyvinylchloride, halogenated | K22 PET - Polyethylene Terephthalate, non halogen |
| K10 PVC - Polyvinylchloride, halogenated | K23 UP-GF - Glass-Fiber Reinforced Polyester, non halogen |
| K11 ABS - Acrylnitrile-Butadiene-Styrene, non halogen | C1 Epoxy Coating, non halogen |
| K12 ASA - Acrylate-Styrol-Acrylnitrile Copolymer | |

Fast and quickly installed

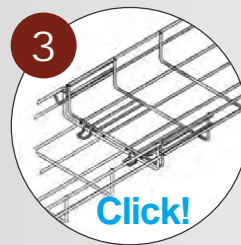
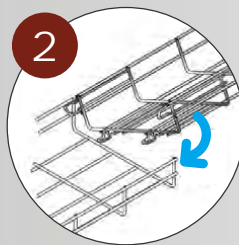
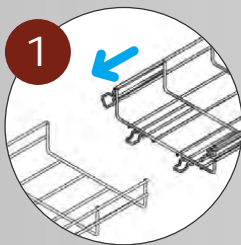
MTC ^{NX}CITO Wire Mesh Tray

- ➔ **Easy Handling:**
*NX*CITO wire mesh tray can be installed smoothly and quickly even in confined spaces.
- ➔ **No need for bolts and splices:**
*NX*CITO wire mesh trays are connected with a patented snap lock mechanism that ensures the same load rating as bolted splices.
- ➔ *NX*CITO Wire Mesh Tray is fully compatible with all existing accessories.
Grounding lugs, mounting plates for junction boxes ...

Niedax is providing a complete wire mesh tray system primarily for industrial applications. Stainless steel versions are used in food & beverage processing as well as in chemical industry applications.

The wire mesh tray is of sound construction and designed for heavy loads due to wire diameters of up to 5.8 mm. Boltless accessories allow fast and easy installation.

ONE CLICK - FINISHED!




WIRE MESH TRAY SYSTEM

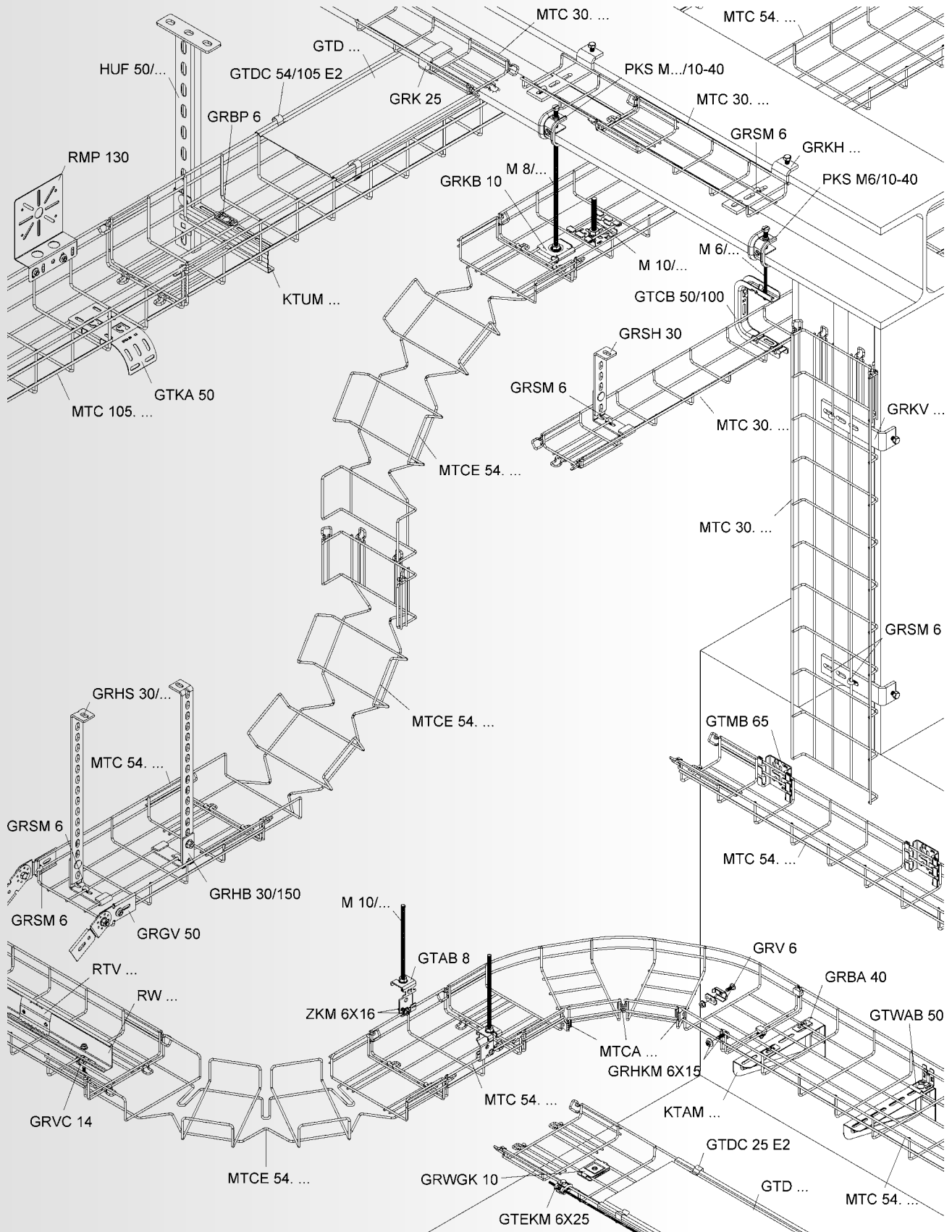
Available Side Rail Heights

SYSTEM	★ Wire mesh tray	MTC 30	P. 4
	★ Wire mesh tray	MTC 54	P. 5
	★ Wire mesh tray	MTC 105	P. 6
	★ Elbow 90°, adjustable	MTCE 54	P. 7
	★ Connector for fittings	MTCA	P. 7
ACCESSORIES	Universal splice plate	GRHKM 6X15	P. 7
	Universal splice plate	GRV 6	P. 7
	Adjustable splice plate	GRGV 50	P. 7
	Barrier strip	RW	P. 8
	Splice plate for barrier strip	RTV	P. 8
	Mounting clamp for barrier strip	GRVC 14	P. 8
	Cable drop out for wire mesh tray	GTKA 50	P. 8
	Mounting plate	RMP 130	P. 9
	Wire mesh mounting bracket	GRWVK 10	P. 9
	Fixing plate for wire mesh tray	GRBP 6	P. 9
	Mounting bracket for wire mesh tray	GTMB 65	P. 9
	Wall and bracket mounting of wire mesh tray	GTWAB 50	P. 10
	Fixing clamp for wire mesh tray, horizontal	GRKH	P. 10
	Fixing clamp for wire mesh tray, vertical	GRKV	P. 10
	Beam clamp	GRK 25	P. 10
	★ Beam clamp	PKS M	P. 10
	★ Threaded rod	M 6	P. 11
	Threaded rod	M 8	P. 11
	Threaded rod	M 10	P. 11
	Center hanger for threaded rod	GRKB 10	P. 11
	Trapeze hanger for wire mesh tray	GTAB 8	P. 11
	★ Center support for wire mesh tray	GTCB 50/100	P. 12
	Extension for wire mesh hanger	GRTS 30/3	P. 12
	Mounting bracket for wire mesh tray	GRHB 30/150 F	P. 12
	Standard hanger for wire mesh tray	GRSH 30 F	P. 12
	Overhead hanger for wire mesh tray	GRHS	P. 13
	Hanger and wall bracket	KTAM	P. 13
	Overhead hanger	HUF	P. 14
	Bracket	KTUM	P. 14
	Fixing clip for wire mesh tray	GRBA 40 E2	P. 15
	Grounding clip for wire mesh tray	GTEKM 6X25	P. 15
	J-Hook bolt	GRSM 6	P. 15
	Slotted pan head bolt	ZKM 6X16	P. 15
	Mushroom head bolt	FLM 6X20	P. 16
	Mushroom head bolt	FLM 8X16 F	P. 16
	Cover for wire mesh tray	GTD	P. 16
	Fixing clip for cover for wire mesh tray	GTDC 25 E2	P. 16
	★ Fixing clip for cover for wire mesh tray	GTDC 54/105 E2	P. 17

An identical wire mesh tray just without the snap-in connectors is still available. Formerly known as Tolmega GTS... this series is now called Niedax MT...

 Please find the nominal dimensions of accessories in the chart section.





WIRE MESH TRAY SYSTEM

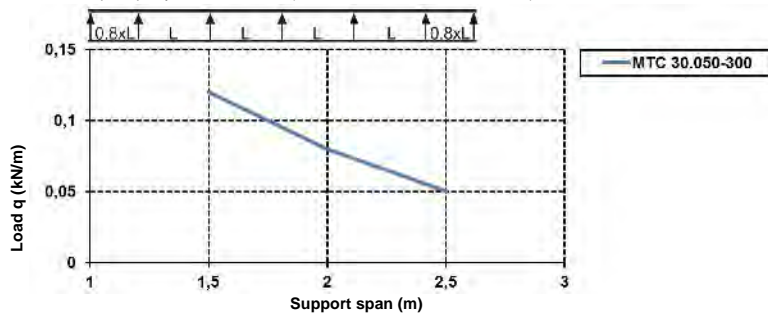
Wire mesh tray

U-shaped, made of steel wires, spot-welded, with welded connector

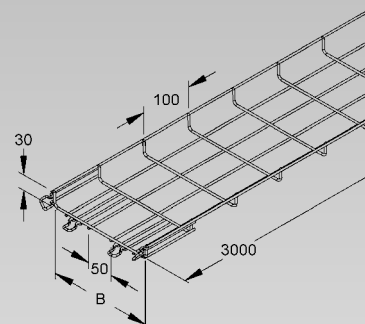
Model No.	width inside B	steel wire -Ø lengthwise	steel wire -Ø crosswise	EAN code	Weight in kg per 100 m	smallest packaging unit
	mm	mm	mm			
★ V MTC 30.050 V	50	3,9	3,9	711215	40,9	3 m
★ V MTC 30.100 V	100	3,9	3,9	711222	55,1	3 m
★ V MTC 30.150 V	150	3,9	3,9	711239	70,1	3 m
★ V MTC 30.200 V	200	3,9	3,9	711246	84,3	3 m
★ V MTC 30.300 V	300	3,9	3,9	711253	112,7	3 m
★ F MTC 30.050 F	50	3,9	3,9	712014	45,0	3 m
★ F MTC 30.100 F	100	3,9	3,9	712021	60,6	3 m
★ F MTC 30.150 F	150	3,9	3,9	712038	77,1	3 m
★ F MTC 30.200 F	200	3,9	3,9	712045	92,7	3 m
★ F MTC 30.300 F	300	3,9	3,9	712052	124,0	3 m
★ E3 MTC 30.050 E3	50	3,9	3,9	713011	41,8	3 m
★ E3 MTC 30.100 E3	100	3,9	3,9	713028	56,3	3 m
★ E3 MTC 30.150 E3	150	3,9	3,9	713035	71,6	3 m
★ E3 MTC 30.200 E3	200	3,9	3,9	713059	86,1	3 m
★ E3 MTC 30.300 E3	300	3,9	3,9	713066	115,1	3 m
★ E4 MTC 30.050 E4	50	3,9	3,9	714018	41,8	3 m
★ E4 MTC 30.100 E4	100	3,9	3,9	714025	56,3	3 m
★ E4 MTC 30.150 E4	150	3,9	3,9	714032	71,6	3 m
★ E4 MTC 30.200 E4	200	3,9	3,9	714049	86,1	3 m
★ E4 MTC 30.300 E4	300	3,9	3,9	714056	115,1	3 m

Wire mesh tray MTC 30 ... E4 on request

Load chart: q = equally distributed load (tested acc. to DIN EN IEC 61537)



Specified load ratings are independent of splice plate location.



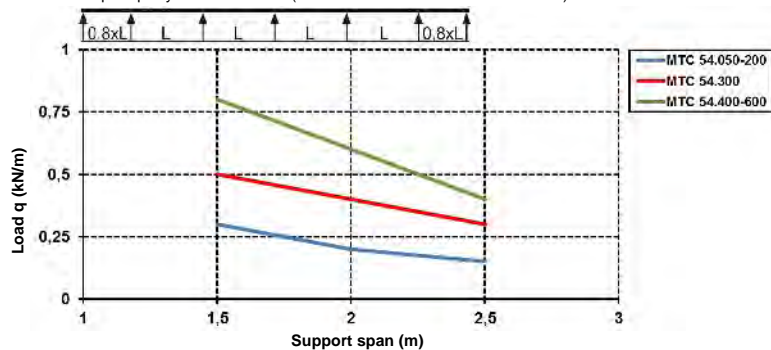
Wire mesh tray

U-shaped, made of steel wires, spot-welded, with welded connector

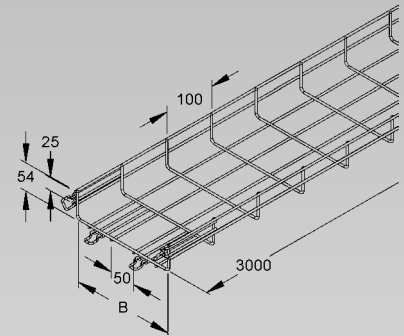
Model No.	width inside B	steel wire -Ø lengthwise	steel wire -Ø crosswise	EAN code	Weight in kg per 100 m	smallest packaging unit
	mm	mm	mm			
★ V MTC 54.050 V	50	3,90	3,90	711260	64,5	3 m
★ V MTC 54.100 V	100	3,90	3,90	711277	78,7	3 m
★ V MTC 54.150 V	150	3,90	3,90	711284	93,7	3 m
★ V MTC 54.200 V	200	3,90	3,90	711291	107,9	3 m
★ V MTC 54.300 V	300	4,82	4,82	711314	209,7	3 m
★ V MTC 54.400 V	400	4,82	5,82	711321	287,2	3 m
★ V MTC 54.500 V	500	4,82	5,82	711338	337,5	3 m
★ V MTC 54.600 V	600	4,82	5,82	711345	387,7	3 m
★ F MTC 54.050 F	50	3,90	3,90	712069	71,0	3 m
★ F MTC 54.100 F	100	3,90	3,90	712076	86,6	3 m
★ F MTC 54.150 F	150	3,90	3,90	712083	103,0	3 m
★ F MTC 54.200 F	200	3,90	3,90	712090	118,7	3 m
★ F MTC 54.300 F	300	4,82	4,82	712113	230,7	3 m
★ F MTC 54.400 F	400	4,82	5,82	712120	315,9	3 m
★ F MTC 54.500 F	500	4,82	5,82	712137	371,2	3 m
★ F MTC 54.600 F	600	4,82	5,82	712144	426,4	3 m
★ E3 MTC 54.050 E3	50	3,90	3,90	713073	65,9	3 m
★ E3 MTC 54.100 E3	100	3,90	3,90	713080	80,4	3 m
★ E3 MTC 54.150 E3	150	3,90	3,90	713097	95,7	3 m
★ E3 MTC 54.200 E3	200	3,90	3,90	713110	110,2	3 m
★ E3 MTC 54.300 E3	300	4,82	4,82	713134	214,3	3 m
★ E3 MTC 54.400 E3	400	4,82	5,82	713165	293,4	3 m
★ E3 MTC 54.500 E3	500	4,82	5,82	713189	344,8	3 m
★ E3 MTC 54.600 E3	600	4,82	5,82	713219	396,1	3 m
★ E4 MTC 54.050 E4	50	3,90	3,90	714063	65,9	3 m
★ E4 MTC 54.100 E4	100	3,90	3,90	714070	80,4	3 m
★ E4 MTC 54.150 E4	150	3,90	3,90	714087	95,7	3 m
★ E4 MTC 54.200 E4	200	3,90	3,90	714094	110,2	3 m
★ E4 MTC 54.300 E4	300	4,82	4,82	714117	214,3	3 m
★ E4 MTC 54.400 E4	400	4,82	5,82	714124	293,4	3 m
★ E4 MTC 54.500 E4	500	4,82	5,82	714131	344,8	3 m
★ E4 MTC 54.600 E4	600	4,82	5,82	714148	396,1	3 m

Wire mesh tray MTC 54 ... E4 on request

Load chart: q = equally distributed load (tested to DIN EN IEC 61537 standard)



Specified load ratings are independent of splice plate location.



WIRE MESH TRAY SYSTEM

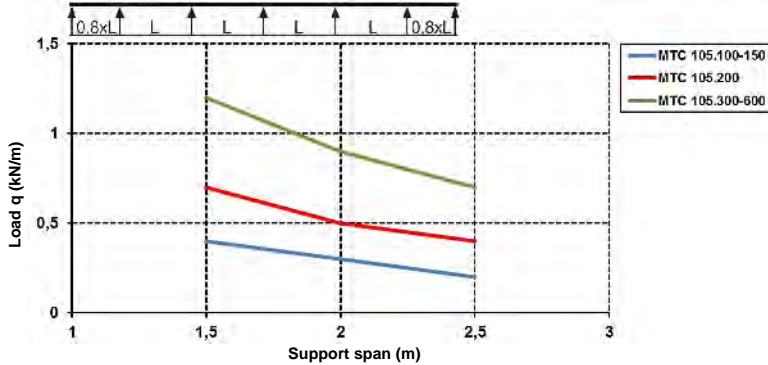
Wire mesh tray

U-shaped, made of steel wires, spot-welded, with welded connector

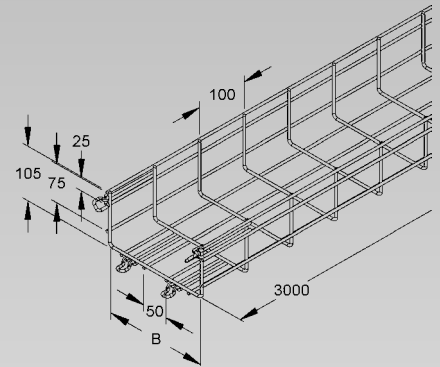
Model No.	width inside B	steel wire -Ø lengthwise	steel wire -Ø crosswise	EAN code	Weight in kg per 100 m	smallest packaging unit
	mm	mm	mm			
★ V MTC 105.100 V	100	3,90	3,90	711352	107,1	3 m
★ V MTC 105.150 V	150	3,90	3,90	711369	122,1	3 m
★ V MTC 105.200 V	200	4,82	4,82	711376	209,7	3 m
★ V MTC 105.300 V	300	4,82	5,82	711383	287,2	3 m
★ V MTC 105.400 V	400	4,82	5,82	711390	337,5	3 m
★ V MTC 105.500 V	500	4,82	5,82	711413	387,7	3 m
★ V MTC 105.600 V	600	4,82	5,82	711420	437,8	3 m
★ F MTC 105.100 F	100	3,90	3,90	712151	117,8	3 m
★ F MTC 105.150 F	150	3,90	3,90	712168	134,3	3 m
★ F MTC 105.200 F	200	4,82	4,82	712175	230,7	3 m
★ F MTC 105.300 F	300	4,82	5,82	712182	315,9	3 m
★ F MTC 105.400 F	400	4,82	5,82	712199	371,2	3 m
★ F MTC 105.500 F	500	4,82	5,82	712212	426,4	3 m
★ F MTC 105.600 F	600	4,82	5,82	712229	481,6	3 m
★ E3 MTC 105.100 E3	100	3,90	3,90	713233	109,9	3 m
★ E3 MTC 105.150 E3	150	3,90	3,90	713264	125,2	3 m
★ E3 MTC 105.200 E3	200	4,82	4,82	713288	215,1	3 m
★ E3 MTC 105.300 E3	300	4,82	5,82	713318	294,5	3 m
★ E3 MTC 105.400 E3	400	4,82	5,82	713325	346,1	3 m
★ E3 MTC 105.500 E3	500	4,82	5,82	713332	397,6	3 m
★ E3 MTC 105.600 E3	600	4,82	5,82	713349	449,0	3 m
★ E4 MTC 105.100 E4	100	3,90	3,90	714155	109,9	3 m
★ E4 MTC 105.150 E4	150	3,90	3,90	714162	125,2	3 m
★ E4 MTC 105.200 E4	200	4,82	4,82	714179	215,1	3 m
★ E4 MTC 105.300 E4	300	4,82	5,82	714186	294,5	3 m
★ E4 MTC 105.400 E4	400	4,82	5,82	714193	346,1	3 m
★ E4 MTC 105.500 E4	500	4,82	5,82	714216	397,6	3 m
★ E4 MTC 105.600 E4	600	4,82	5,82	714223	449,0	3 m

Wire mesh tray MTC 105 ... E4 on request

Load chart: q = equally distributed load (tested to DIN EN IEC 61537)



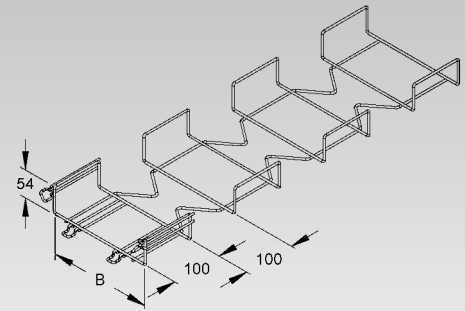
Specified load ratings are independent of splice plate location.



Elbow 90°, adjustable

	Model No.	width inside B mm	EAN code	Weight in kg per 100 pc.	smallest packaging unit	
★	V	MTCE 54.100 V	100	711512	33	4 pc.
★	V	MTCE 54.150 V	150	711536	39	4 pc.
★	V	MTCE 54.200 V	200	711550	57	4 pc.
★	V	MTCE 54.300 V	300	711574	110	4 pc.
★	F	MTCE 54.100 F	100	712311	33	4 pc.
★	F	MTCE 54.150 F	150	712335	39	4 pc.
★	F	MTCE 54.200 F	200	712359	57	4 pc.
★	F	MTCE 54.300 F	300	712373	110	4 pc.
★	E3	MTCE 54.100 E3	100	713424	33	4 pc.
★	E3	MTCE 54.150 E3	150	713431	39	4 pc.
★	E3	MTCE 54.200 E3	200	713455	57	4 pc.
★	E3	MTCE 54.300 E3	300	713462	110	4 pc.
★	E4	MTCE 54.100 E4	100	714315	33	4 pc.
★	E4	MTCE 54.150 E4	150	714322	39	4 pc.
★	E4	MTCE 54.200 E4	200	714339	57	4 pc.
★	E4	MTCE 54.300 E4	300	714346	110	4 pc.

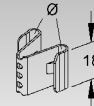
Used for: Wire mesh tray MTC 54 ...
Elbow 90° MTCE 54 ... E4 on request



Connector for fittings

	Model No.	for steel wire diameter mm	EAN code	Weight in kg per 100 pc.	smallest packaging unit	
★	E3	MTCA 4 E3	4	713615	1	50 pc.
★	E3	MTCA 5 E3	5	713622	1	50 pc.

creating fittings for wire mesh trays on site

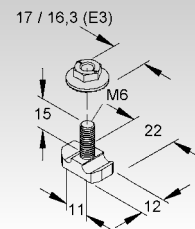


Universal splice plate

2-parts

	Model No.	resistance class	EAN code	Weight in kg per 100 pc.	smallest packaging unit
V	GRHKM 6X15 V	8.8	012442	1,83	50 pc.
F	GRHKM 6X15 F	8.8	012435	1,83	50 pc.
E3	GRHKM 6X15 E3	70	012428	1,82	50 pc.

for making straight runs of wire mesh tray and fittings flexibly



Universal splice plate

2-parts

	Model No.	incl. accessories	EAN code	Weight in kg per 100 pc.	smallest packaging unit
S	GRV 6	1 FLM 6X16 F	280209	2,69	50 pc.
F	GRV 6 F	1 FLM 6X16 F	280186	2,69	50 pc.
E3	GRV 6 E3	1 FLM 6X16 E3	802104	2,80	20 pc.
E5	GRV 6 E5	1 FLM 6X16 E5	127733	2,63	20 pc.

for making straight runs of wire mesh tray and fittings flexibly

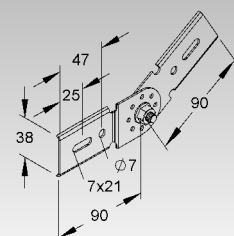


Adjustable splice plate

	Model No.	incl. accessories	EAN code	Weight in kg per 100 pc.	smallest packaging unit
S	GRGV 50	2 GRSM 6 V	940561	11	10 pc.
F	GRGV 50 F	2 GRSM 6 F	940585	12	10 pc.
E3	GRGV 50 E3	2 GRSM 6 E3	940578	11	10 pc.

for fabrication of an angle connection of straight wire mesh tray with two lateral longitudinal steel wires (max. 41 mm central distance)

Requirement: 2 pieces per joint



WIRE MESH TRAY SYSTEM

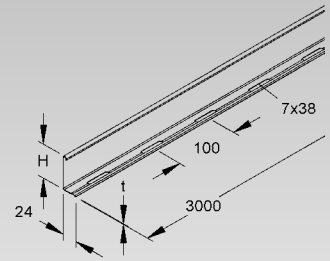
Barrier strip

perforated, C-shaped

Model No.	Height H mm	Material thickness (t) mm	incl. accessories	EAN code	Weight in kg per 100 m	smallest packaging unit
S RW 35	30	0,75	4 FLM 6X12	213504	35,13	10 x 3 m
S RW 50	47	0,75	4 FLM 6X12	224951	45,05	10 x 3 m
S RW 60	55	0,75	4 FLM 6X12	225002	49,86	10 x 3 m
S RW 85	80	0,90	4 FLM 6X12	237609	78,39	10 x 3 m
S RW 110	98	0,90	4 FLM 6X12	251001	90,37	10 x 3 m
F RW 35 F	30	0,75	4 FLM 6X12 F	213603	38,67	10 x 3 m
F RW 50 F	47	0,75	4 FLM 6X12 F	938551	49,58	10 x 3 m
F RW 60 F	55	0,75	4 FLM 6X12 F	225101	54,87	10 x 3 m
F RW 85 F	80	0,90	4 FLM 6X12 F	237708	86,12	10 x 3 m
F RW 110 F	98	0,90	4 FLM 6X12 F	251100	99,30	10 x 3 m
E3 RW 35 E3	30	0,80	4 FLM 6X12 E3	333325	37,65	10 x 3 m
E3 RW 50 E3	47	0,80	4 FLM 6X12 E3	333356	48,32	10 x 3 m
E3 RW 60 E3	55	0,80	4 FLM 6X12 E3	333400	53,48	10 x 3 m
E3 RW 85 E3	80	0,90	4 FLM 6X12 E3	333424	78,88	10 x 3 m
E3 RW 110 E3	98	0,90	4 FLM 6X12 E3	333509	90,94	10 x 3 m
E5 RW 35 E5	30	0,80	4 FLM 6X12 E5	082926	38,51	10 x 3 m
E5 RW 60 E5	55	0,80	4 FLM 6X12 E5	729401	53,86	10 x 3 m
E5 RW 110 E5	98	0,90	4 FLM 6X12 E5	074518	81,25	10 x 3 m

for the separation of wires and cables with different functions and/or voltages

The continuous perforation allows a stepless mounting.

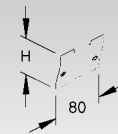


Splice plate for barrier strip

Model No.	Height H mm	Length L mm	EAN code	Weight in kg per 100 pc.	smallest packaging unit
E2 RTV 35 E2	29,0	80	213658	0,74	20 pc.
E2 RTV 50 E2	46,5	80	224999	1,18	20 pc.
E2 RTV 60 E2	54,5	80	225149	1,39	20 pc.
E2 RTV 85 E2	79,5	80	237753	2,03	20 pc.
E2 RTV 110 E2	97,5	80	251162	2,50	20 pc.

for mechanical and electrical connection of the barrier strips

The connection of the barrier strips to be carried out by clicking in the splice plates at the joint.



Mounting clamp for barrier strip

Model No.	incl. accessories	EAN code	Weight in kg per 100 pc.	smallest packaging unit
S GRVC 14	1 FLM 6X20 F	280308	2,24	50 pc.
F GRVC 14 F	1 FLM 6X20 F	280339	2,36	50 pc.
E3 GRVC 14 E3	1 FLM 6X20 E3	841509	2,26	20 pc.
E5 GRVC 14 E5	1 FLM 6X20 E4	141876	2,28	20 pc.

for attaching barrier strip to wire mesh trays



Cable drop out for wire mesh tray

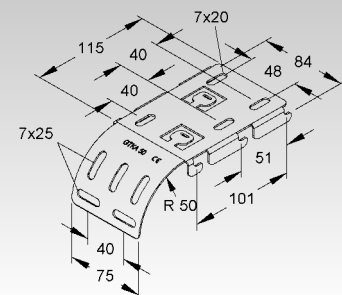
Model No.	EAN code	Weight in kg per 100 pc.	smallest packaging unit
S GTKA 50 S	967483	16,5	10 pc.
F GTKA 50 F	136865	17,6	10 pc.
E3 GTKA 50 E3	116720	14,0	10 pc.
E4 GTKA 50 E4	136858	14,0	10 pc.

for boltless mounting by putting and sliding on

for wire mesh trays with a distance of cross-span of 100 mm and/or distance for longitudinal steel wire of 50 mm

for wire mesh trays (> 100 mm width) and max. steel wire diameter of 6 mm

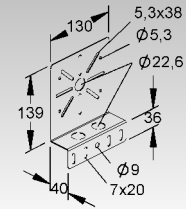
Used for: Wire mesh tray MTC ...



Mounting plate

Model No.	incl. accessories	EAN code	Weight in kg per 100 pc.	smallest packaging unit
S RMP 130	2 FLM 6X12	206148	29,75	10 pc.
F RMP 130 F	2 FLM 6X12 F	206162	32,77	10 pc.
E3 RMP 130 E3	2 FLM 6X12 E3	769728	30,13	10 pc.

for mounting distribution or junction boxes

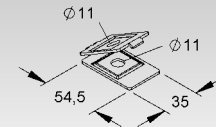


Wire mesh mounting bracket, single-piece

Model No.	EAN code	Weight in kg per 100 pc.	smallest packaging unit
S GRWGK 10 S	280797	5,8	25 pc.
E3 GRWGK 10 E3	931057	5,8	25 pc.

for variable threaded rod suspension of wire mesh tray (max. 300 mm)
for variable mounting at the side of wire mesh tray (max. 100 mm width)
for variable floor mounting of wire mesh tray

The clamping range includes steel wire thickness from 3,0 up to 6,0 mm



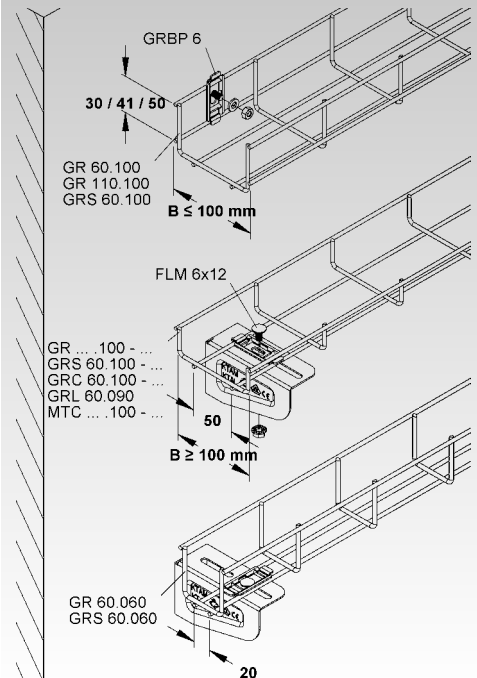
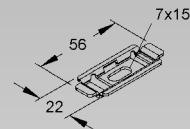
Fixing plate for wire mesh tray

Model No.	EAN code	Weight in kg per 100 pc.	smallest packaging unit
S GRBP 6 S	936953	1,20	50 pc.
F GRBP 6 F	966257	2,00	50 pc.
E3 GRBP 6 E3	936960	1,12	50 pc.
E5 GRBP 6 E5	127726	1,13	50 pc.

for floor and bracket mounting of wire mesh tray

Used for: Wire mesh tray MTC ...

Fixing accessories for the particular application have to be ordered separately.

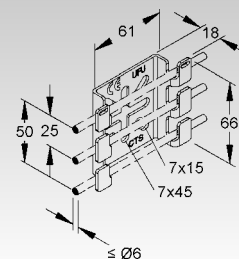


Mounting bracket for wire mesh tray

Model No.	EAN code	Weight in kg per 100 pc.	smallest packaging unit
S GTMB 65 S	058211	8,6	20 pc.
FG GTMB 65 FG	058198	6,5	20 pc.
E3 GTMB 65 E3	058181	9,0	20 pc.
E4 GTMB 65 E4	079445	9,0	20 pc.

for boltless wall mounting of wire mesh tray with max. 100 mm width and min. 2 lateral longitudinal steel wires, centered threading rod suspension up to a width of 300 mm
for the mounting of distribution boxes

Used for: Wire mesh tray MTC ...



WIRE MESH TRAY SYSTEM

Wall and bracket mounting of wire mesh tray

Model No.	EAN code	Weight in kg per 100 pc.	smallest packaging unit
S GTWAB 50 S	058990	2,6	50 pc.
FG GTWAB 50 FG	058983	2,6	50 pc.
E3 GTWAB 50 E3	058976	3,0	50 pc.
E4 GTWAB 50 E4	018642	2,5	50 pc.

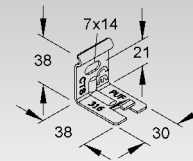
for wall mounting

for attaching wire mesh trays to any kind of brackets

Used for: Wire mesh tray MTC ...



MTC 18



Fixing clamp for wire mesh tray

horizontal

Model No.	total length L	support length L1	load rating F at L=1/2	incl. accessories	EAN code	Weight in kg per 100 pc.	smallest packaging unit
	mm	mm	kN				
F GRKH 153 F	153	101	0,5	1 SK 8X25 F	000098	41,14	10 pc.
F GRKH 187 F	187	135	0,5	1 SK 8X25 F	000111	47,06	10 pc.

for fixing of wire mesh tray onto flange (max. 20 mm) of horizontal steel beam

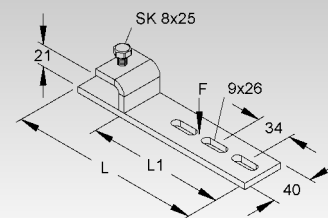
Used for: Wire mesh tray MTC ...

An alternating arrangement of the J-hook bolts ensures a reliable mounting of the wire mesh tray at the fixing clamp.

Bolting torque: 15 Nm



MTC 20



Fixing clamp for wire mesh tray

vertical

Model No.	total length L	support length L1	load rating F at L=1/2	incl. accessories	EAN code	Weight in kg per 100 pc.	smallest packaging unit
	mm	mm	kN				
F GRKV 132 F	132	99	0,5	1 SK 8X25 F	000081	43,00	10 pc.
F GRKV 166 F	166	133	0,5	1 SK 8X25 F	000074	48,93	10 pc.

for fixing of wire mesh tray onto flange (max. 20 mm) of horizontal steel beam

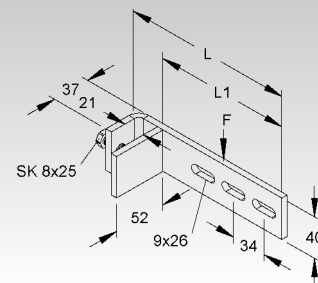
Used for: Wire mesh tray MTC ...

An alternating arrangement of the J-hook bolts ensures a reliable mounting of the wire mesh tray at the fixing clamp.

Bolting torque: 15 Nm



MTC 20



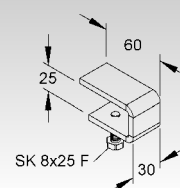
Beam clamp

Model No.	incl. accessories	EAN code	Weight in kg per 100 pc.	smallest packaging unit
F GRK 25	1 SK 8x25 F	280902	18,29	50 pc.

for mounting of angle wire mesh trays onto a flange up to 20 mm thickness



MTC 20



Beam clamp

incl. slotted shoulder screw M8

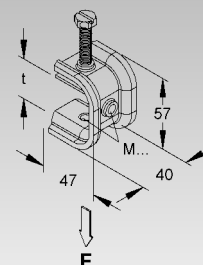
Model No.	Thread M	thickness of flange (t)	vertical nominal load F	EAN code	Weight in kg per 100 pc.	smallest packaging unit
			kN			
★ F PKS M6/10-40 F	6	≤ 35	1,5	133871	20,27	25 pc.
★ F PKS M8/10-40 F	8	≤ 35	1,5	077571	21,20	25 pc.
★ E3 PKS M8/10-40 E3	8	≤ 35	1,5	126866	19,40	25 pc.
★ E5 PKS M8/10-40 E5	8	≤ 35	1,5	126873	19,59	25 pc.

for beam profiles with parallel flanges or slanted flanges with a maximum inclination of 14% as well as supply line to the consumers

Depending on the application different fixing material will be used.

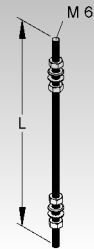
Bolting torque: 4 Nm

Wrench size 13



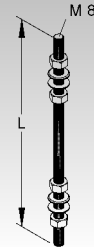
Threaded rod, M6

Model No.	Length L mm	resistance class	incl. accessories	EAN code	Weight in kg per 100 pc.	smallest packaging unit
★ V M 6/1000	1000	4.6	4 SMU 6	919420	21,72	25 pc.
★ E3 M 6/1000 E3	1000	1.4301	4 SMU 6 E3	107544	18,77	25 pc.



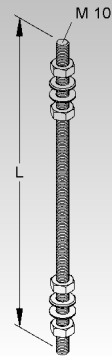
Threaded rod, M8

Model No.	Length L mm	resistance class	incl. accessories	EAN code	Weight in kg per 100 pc.	smallest packaging unit
V M 8/1000	1000	4.6	4 SMU 8	203505	35,1	25 pc.
E3 M 8/1000 E3	1000	1.4301	4 SMU 8 E3	107568	35,1	25 pc.



Threaded rod, M10

Model No.	Length L mm	resistance class	incl. accessories	EAN code	Weight in kg per 100 pc.	smallest packaging unit
V M 10/1000	1000	4.6	4 SMU 10	203208	56,40	25 pc.
E3 M 10/1000 E3	1000	1.4301	4 SMU 10 E3	769902	56,42	25 pc.



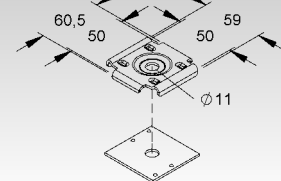
Center hanger for threaded rod

two-parts

Model No.	EAN code	Weight in kg per 100 pc.	smallest packaging unit
S GRKB 10	280704	10	25 pc.
F GRKB 10 F	280759	10	25 pc.

for centered hanging of wire mesh tray (max. width of 300 mm) and a centered distance of cross-steel wire of 50 mm

Used for: Wire mesh tray MTC...



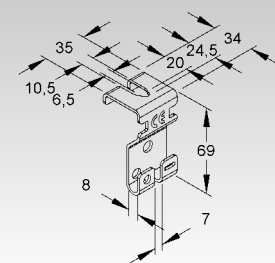
Trapeze hanger for wire mesh tray

Model No.	EAN code	Weight in kg per 100 pc.	smallest packaging unit
S GTAB 8 S	057924	7,0	20 pc.
F GTAB 8 F	136643	7,0	20 pc.
E3 GTAB 8 E3	136629	7,0	20 pc.
E4 GTAB 8 E4	136636	5,7	20 pc.

for a two-sided suspension by threaded rod

Used for: Wire mesh tray MTC ... up to maximum 6 mm wire thickness

The trapeze hanger be used between length-wire and cross-wire. For safety reason against popping out from the trapeze hanger the lugs have to be turned-over with a screw driver.



WIRE MESH TRAY SYSTEM

Center support for wire mesh tray

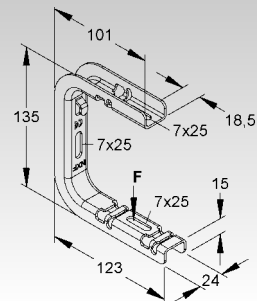
C-bracket



Model No.	load rating at L/2 kN	EAN code	Weight in kg per 100 pc.	smallest packaging unit
★ S GTCB 50/100 S	0,2	136674	20	25 pc.
★ F GTCB 50/100 F	0,2	136667	20	25 pc.
★ E3 GTCB 50/100 E3	0,2	136650	20	25 pc.

Used for: Wire mesh tray MTC 30.050, 30.100, 54.050 and 54.100

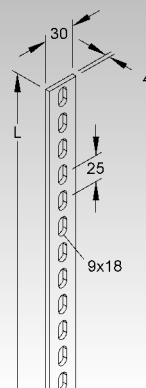
The load rating shown is only valid for proper anchorage in the building structure.



Extension for wire mesh hanger

Model No.	Length L mm	EAN code	Weight in kg per 100 pc.	smallest packaging unit
F GRTS 30/3 F	3000	895182	250,92	1 pc.

for extending of ceiling suspension/mounting bracket for wire mesh tray GRHB 30/150 F



Mounting bracket for wire mesh tray

single

Model No.	Height H mm	Length L mm	EAN code	Weight in kg per 100 pc.	smallest packaging unit
F GRHB 30/150 F	71,5	86,5	895168	12,34	20 pc.

for wall mounting of wire mesh tray (max. 100 mm)

for centered or alternated arranged ceiling suspension for wire mesh tray (max. 200 mm) in

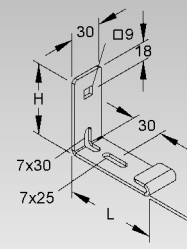
conjunction with one GRTS 30/3 F or one GRSH 30/... F

for double-sided arranged ceiling suspension for wire mesh tray (>.300 mm) in conjunction with GRTS 30/3 F or GRSH 30/... F

When large loads are placed in suspended wire mesh trays (> 200 mm) they must be supported against deflection.

boltless fixing in the bottom of the wire mesh tray

Use an extra J-hook GRSM 6 F to protect wire mesh tray from tilting. Please order separately.



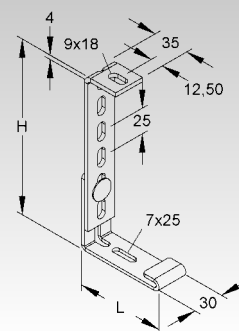
Standard hanger for wire mesh tray

Model No.	Height H mm	Length L mm	incl. accessories	EAN code	Weight in kg per 100 pc.	smallest packaging unit
F GRSH 30 F	170	86,5	1 FLM 8X16 F	895199	29,64	10 pc.

for centered or staggered in reverse order hanging of wire mesh tray

boltless fixing in the bottom of the wire mesh tray

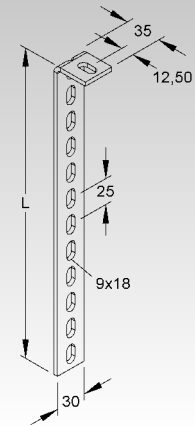
Use an extra J-hook GRSM 6 F to protect wire mesh tray from tilting. Please order separately.



Overhead hanger for wire mesh tray

Model No.	Length L mm	EAN code	Weight in kg per 100 pc.	smallest packaging unit
F GRHS 30/150 F	150	909421	14,84	20 pc.
F GRHS 30/200 F	200	909445	19,00	20 pc.
F GRHS 30/300 F	300	909469	25,00	20 pc.
F GRHS 30/400 F	400	909483	33,00	20 pc.
F GRHS 30/500 F	500	909506	44,28	20 pc.
F GRHS 30/600 F	600	909520	48,00	20 pc.
F GRHS 30/700 F	700	909544	55,00	1 pc.
F GRHS 30/800 F	800	909568	63,00	1 pc.
F GRHS 30/900 F	900	909582	70,00	1 pc.
F GRHS 30/1000 F	1000	909605	88,00	1 pc.

for mounting on wall or ceiling



Hanger and wall bracket

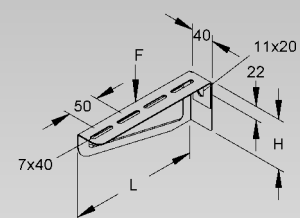
medium-weight

Model No.	Height H mm	Length L mm	load rating at L/2 kN	incl. accessories	EAN code	Weight in kg per 100 pc.	smallest packaging unit
S KTAM 100	60	110	1,2	2 FLM 6X12	186303	16,41	20 pc.
S KTAM 150	60	160	1,2	2 FLM 6X12	078530	21,94	20 pc.
S KTAM 200	80	210	1,2	2 FLM 6X12	186402	30,27	20 pc.
S KTAM 300	82	320	1,5	2 FLM 6X12	186501	44,20	20 pc.
S KTAM 400	82	420	1,5	2 FLM 6X12	186600	50,28	20 pc.
F KTAM 100 F	60	110	1,2	2 FLM 6X12 F	968459	17,76	20 pc.
F KTAM 150 F	60	160	1,2	2 FLM 6X12 F	078578	23,84	20 pc.
F KTAM 200 F	80	210	1,2	2 FLM 6X12 F	968466	33,01	20 pc.
F KTAM 300 F	82	320	1,5	2 FLM 6X12 F	968473	48,38	20 pc.
F KTAM 400 F	82	420	1,5	2 FLM 6X12 F	968480	55,27	20 pc.
E3 KTAM 100 E3	60	110	1,2	2 FLM 6X12 E3	840304	16,37	20 pc.
E3 KTAM 150 E3	60	160	1,2	2 FLM 6X12 E3	078592	21,93	20 pc.
E3 KTAM 200 E3	80	210	1,2	2 FLM 6X12 E3	840328	30,32	20 pc.
E3 KTAM 250 E3	80	260	1,2	2 FLM 6X12 E3	078608	37,07	20 pc.
E3 KTAM 300 E3	85	310	1,2	2 FLM 6X12 E3	840342	50,78	20 pc.
E5 KTAM 100 E5	60	110	1,2	2 FLM 6X12 E5	728305	16,51	20 pc.
E5 KTAM 150 E5	60	160	1,2	2 FLM 6X12 E5	078615	22,13	20 pc.
E5 KTAM 200 E5	80	210	1,2	2 FLM 6X12 E5	728404	30,61	20 pc.
E5 KTAM 300 E5	85	310	1,2	2 FLM 6X12 E5	728503	44,33	20 pc.
E5 KTAM 400 E5	115	410	1,2	2 FLM 6X12 E5	728602	73,59	20 pc.

for mounting on the wall or ceiling

Warning : instructions for non-standard lengths. For more details please refer to the mounting instructions

The permissible load shown is valid only for sufficient anchorage to the building structure and mounting on the overhead hangers according to instructions.



WIRE MESH TRAY SYSTEM

Overhead hanger

U-profile

	Model No.	total length L mm	EAN code	Weight in kg per 100 pc.	smallest packaging unit
F	HUF 50/200	201	168705	47,70	20 pc.
F	HUF 50/250	255	168804	54,40	20 pc.
F	HUF 50/300	301	168903	61,20	20 pc.
F	HUF 50/400	401	169009	74,60	20 pc.
F	HUF 50/500	501	169108	88,10	20 pc.
F	HUF 50/600	601	169207	101,60	10 pc.
E3	HUF 50/200 E3	204	327300	40,82	20 pc.
E3	HUF 50/300 E3	304	327409	53,44	20 pc.
E3	HUF 50/400 E3	404	327508	66,06	20 pc.
E3	HUF 50/500 E3	504	327607	78,68	20 pc.
E3	HUF 50/600 E3	604	327621	91,31	10 pc.
E5	HUF 50/200 E5	204	727506	41,23	20 pc.
E5	HUF 50/300 E5	304	727605	53,98	20 pc.
E5	HUF 50/400 E5	404	727704	66,73	20 pc.
E5	HUF 50/500 E5	504	727803	79,48	20 pc.

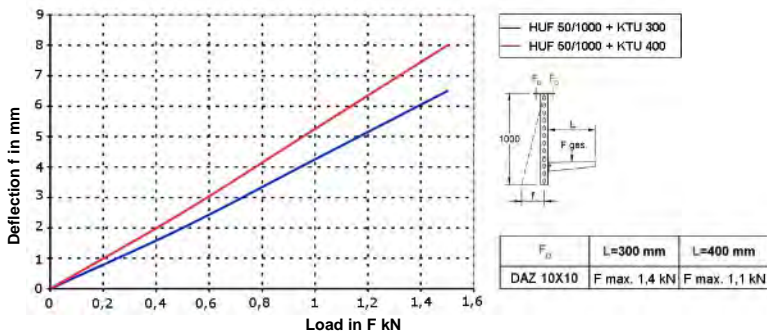
Total length = length of U-profile inclusive head plate

HUF 50/200 offers limited space for mounting cable trays (length of overhead hanger - height of bracket). Two-sided arrangement (horizontal) on the same height due to the spacer UD 24 is possible.

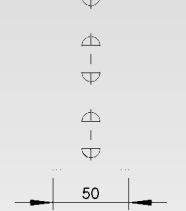
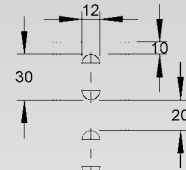
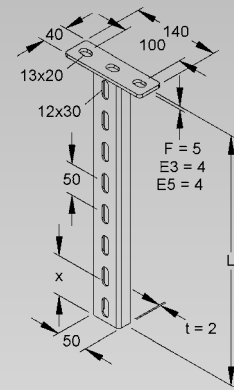
Used for: Bracket KTUL, KTUM ... and KTDL ...

For static reasons brackets have to be installed at least 50 mm above hangers end. This will also guarantee an easy mounting of the protective cap.

Load chart: Deflection of overhead hanger (onesided load)



For an approximate symmetric load distribution a lateral tilting is rarely measurable.



$I_x = 6,66 \text{ cm}^4$
 $I_y = 0,74 \text{ cm}^4$
 $w_x = 2,66 \text{ cm}^3$
 $w_y = 0,48 \text{ cm}^3$

Bracket

medium-weight

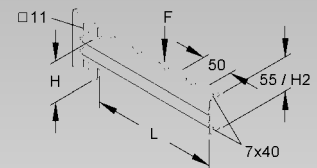
	Model No.	Height H mm	Length L mm	load rating at L/2 kN	incl. accessories	EAN code	Weight in kg per 100 pc.	smallest packaging unit
S	KTUM 100	73	105	1,2	FLM:2 6X12, 1 10X25 F	170425	21,45	20 pc.
S	KTUM 150	73	155	1,2	FLM:2 6X12, 1 10X25 F	170432	26,27	20 pc.
S	KTUM 200	73	205	1,2	FLM:2 6X12, 1 10X25 F	170449	31,08	20 pc.
S	KTUM 300	73	305	1,2	FLM:2 6X12, 1 10X25 F	170463	46,86	20 pc.
S	KTUM 400	83	405	1,2	FLM:2 6X12, 1 10X25 F	170487	73,28	20 pc.
F	KTUM 100 F	73	105	1,2	FLM:2 6X12 F, 1 10X25 F	968497	22,93	20 pc.
F	KTUM 150 F	73	155	1,2	FLM:2 6X12 F, 1 10X25 F	968503	28,23	20 pc.
F	KTUM 200 F	73	205	1,2	FLM:2 6X12 F, 1 10X25 F	968510	33,52	20 pc.
F	KTUM 300 F	73	305	1,2	FLM:2 6X12 F, 1 10X25 F	968534	50,88	20 pc.
F	KTUM 400 F	83	405	1,2	FLM:2 6X12 F, 1 10X25 F	968541	79,94	20 pc.
E3	KTUM 100 E3	73	105	1,2	FLM: 2 6X12 E3, 1 10X25 E3	329021	21,51	20 pc.
E3	KTUM 200 E3	73	205	1,2	FLM: 2 6X12 E3, 1 10X25 E3	329045	31,20	20 pc.
E3	KTUM 300 E3	83	305	1,2	FLM: 2 6X12 E3, 1 10X25 E3	329069	59,58	20 pc.
E3	KTUM 400 E3	83	405	1,2	FLM: 2 6X12 E3, 1 10X25 E3	329083	73,67	20 pc.
E5	KTUM 100 E5	73	105	1,2	FLM:2 6X12 E5, 1 10X25 E5	728220	21,57	20 pc.
E5	KTUM 200 E5	73	205	1,2	FLM:2 6X12 E5, 1 10X25 E5	728244	31,35	20 pc.
E5	KTUM 300 E5	83	305	1,2	FLM:2 6X12 E5, 1 10X25 E5	728268	59,90	20 pc.
E5	KTUM 400 E5	83	405	1,2	FLM:2 6X12 E5, 1 10X25 E5	728282	74,26	20 pc.

Used for: Overhead hanger HUF 50/... and HDUF 50/...

For model KTUM 300 E3, ... E5 as well as for KTUM 400, ... F, ... E3, ... E5 height (H2) is 66 mm.

The loads shown are valid only for an installation on overhead hangers according to instructions.

The load ratings refer to the mounting of the bracket onto an overhead hanger with only one bolt.



Fixing clip for wire mesh tray

Model No.	for steel wire diameter mm	slotted hole LL mm	EAN code	Weight in kg per 100 pc.	smallest packaging unit
E2 GRBA 40 E2	3,5 - 4,8	7x40	948390	0,58	50 pc.

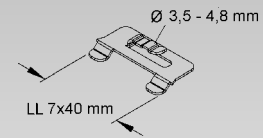
for attaching wire mesh tray to any kind of brackets

Used for: Bracket KTUM 100-400 and bracket KTAM 100-400

The fixing clip will be inserted into the lugs of slot hole perforation of the bracket and tilted. An alternating arrangement of the fixing clips on the bracket ensures a reliable mounting of the wire mesh tray.



MTC 19



TKS ... - 400
TKSU ...
KTAL ...
KTAM ...
KTUL ...
KTUM ...
TW ...

GRBA 40 E2

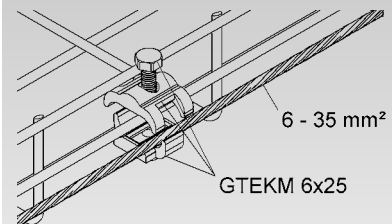
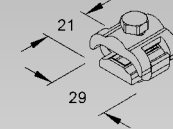
Ø 3,5 mm - Ø 4,8 mm

Grounding clip for wire mesh tray

Model No.	EAN code	Weight in kg per 100 pc.	smallest packaging unit
GTEKM 6X25	058068	3	25 pc.

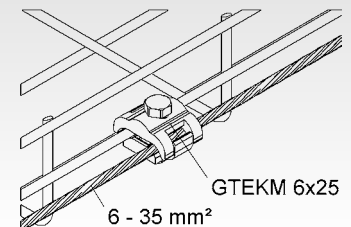
for the connection of bonding/grounding wires
for the use in dry indoors

Used for: Wire mesh tray MTC ...



6 - 35 mm²

GTEKM 6x25



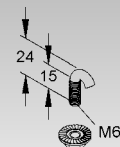
6 - 35 mm²

J-Hook bolt

incl. serrated flange nut, acc. DIN EN 1661

Model No.	Thread M	EAN code	Weight in kg per 100 pc.	smallest packaging unit
V GRSM 6 V	6	280506	1,16	50 pc.
F GRSM 6 F	6	940554	1,16	50 pc.
E3 GRSM 6 E3	6	343799	1,15	50 pc.

for mounting of wire mesh trays



M6

Slotted pan head bolt, M6, acc. DIN EN ISO 1580

incl. serrated flange nut, acc. DIN EN 1661

Model No.	Thread M	Length L mm	EAN code	Weight in kg per 100 pc.	smallest packaging unit
V ZKM 6X16	6	16	461103	0,1	100 pc.



WIRE MESH TRAY SYSTEM

Mushroom head bolt, similar DIN 603

incl. serrated flange nut, acc. DIN EN 1661

Model No.	Thread M	Length L mm	resistance class	EAN code	Weight in kg per 100 pc.	smallest packaging unit
G FLM 6X20 G	6	20	-	057948	0,9	100 pc.
FG FLM 6X20 FG	6	20	-	057931	0,7	100 pc.
E4 FLM 6X20 E4	6	20	-	101825	0,9	100 pc.



Mushroom head bolt, similar DIN 603

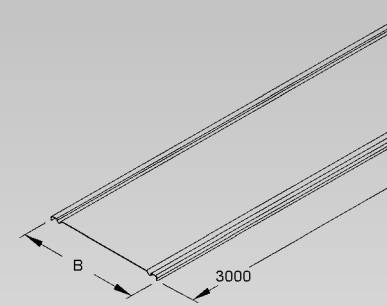
incl. serrated flange nut, acc. DIN EN 1661

Model No.	Thread M	Length L mm	resistance class	EAN code	Weight in kg per 100 pc.	smallest packaging unit
F FLM 8X16 F	8	16	8.8	206704	2,09	50 pc.



Cover for wire mesh tray

Model No.	Width B mm	EAN code	Weight in kg per 100 m	smallest packaging unit
S GTD 50 S	50	066094	36,0	3 m
S GTD 100 S	100	057993	55,3	3 m
S GTD 150 S	150	092796	75,0	3 m
S GTD 200 S	200	058020	114,0	3 m
S GTD 300 S	300	058044	200,0	3 m
S GTD 400 S	400	136728	343,0	3 m
S GTD 500 S	500	136797	421,0	3 m
S GTD 600 S	600	136834	500,0	3 m
F GTD 50 F	50	136759	45,0	3 m
F GTD 100 F	100	057986	73,0	3 m
F GTD 150 F	150	136681	96,0	3 m
F GTD 200 F	200	058013	124,8	3 m
F GTD 300 F	300	058037	220,8	3 m
F GTD 400 F	400	136711	377,0	3 m
F GTD 500 F	500	136780	460,0	3 m
F GTD 600 F	600	136827	550,0	3 m
E3 GTD 50 E3	50	136735	58,0	3 m
E3 GTD 100 E3	100	136490	90,2	3 m
E3 GTD 150 E3	150	136513	122,2	3 m
E3 GTD 200 E3	200	136537	154,2	3 m
E3 GTD 300 E3	300	136551	218,2	3 m
E3 GTD 400 E3	400	136698	352,8	3 m
E3 GTD 500 E3	500	136766	432,8	3 m
E3 GTD 600 E3	600	136803	512,8	3 m
E4 GTD 50 E4	50	136742	58,0	3 m
E4 GTD 100 E4	100	136506	90,2	3 m
E4 GTD 150 E4	150	136520	122,2	3 m
E4 GTD 200 E4	200	136544	154,2	3 m
E4 GTD 300 E4	300	136568	218,2	3 m
E4 GTD 400 E4	400	136704	352,0	3 m
E4 GTD 500 E4	500	136773	432,8	3 m
E4 GTD 600 E4	600	136810	503,0	3 m



Used for: U-shaped wire mesh tray MTC ...

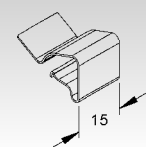
Fixing clip GTDC ... for covers are not included in the scope of delivery and must be ordered separately.

Fixing clip for cover for wire mesh tray

Model No.	EAN code	Weight in kg per 100 pc.	smallest packaging unit
E2 GTDC 25 E2	088379	0,4	20 pc.

fixing cover for wire mesh tray

Used for: Cover for wire mesh tray GTD ... onto wire mesh tray MTC 30 ...



Fixing clip for cover for wire mesh tray

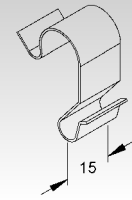
Model No.	EAN code	Weight in kg per 100 pc.	smallest packaging unit
★ E2 GTDC 54/105 E2	136841	0,5	100 pc.

fixing cover for wire mesh tray

Used for: Cover for wire mesh tray GTD ... onto wire mesh tray MTC 54 ... and MTC 105 ...



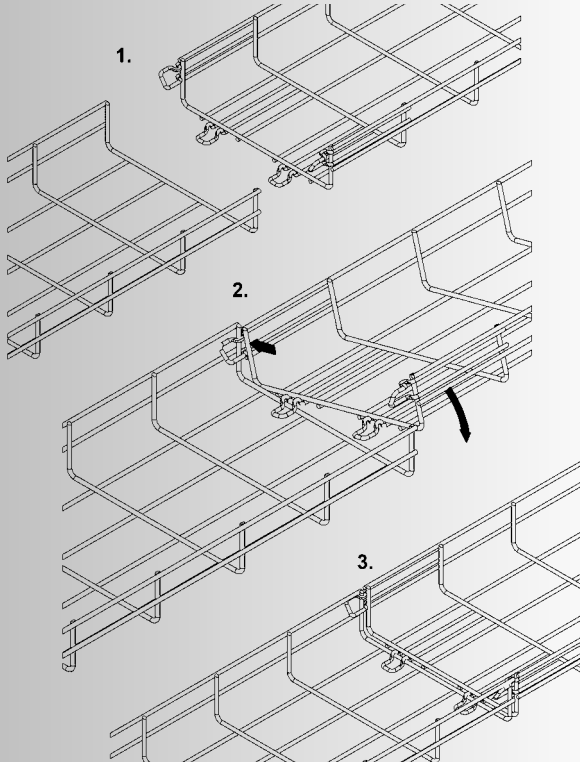
MTC 22



Installation instructions

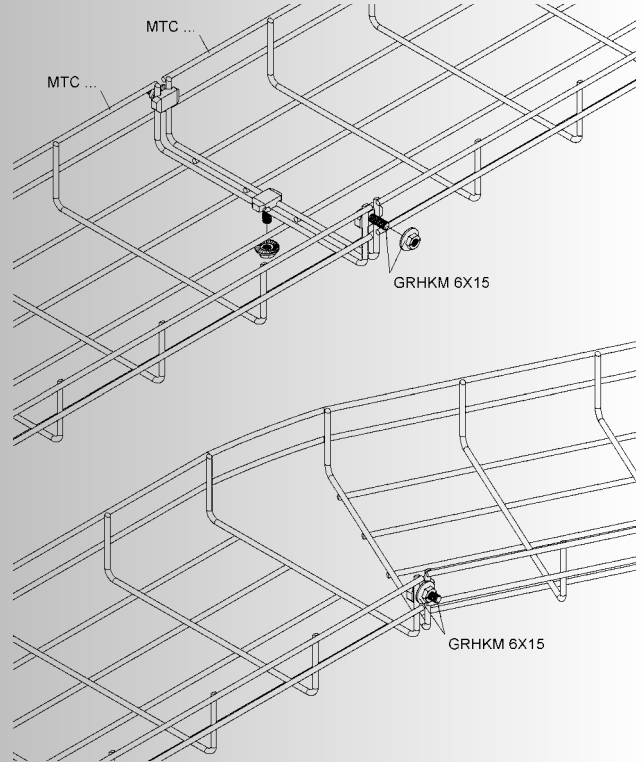
Installation instructions for Wire Mesh Tray MTC:

1. Bring the "click in" front end and a back end of MTC together.
2. Position the outside joining clamp in an angle under the upper side wire.
3. Push the other side down and click – finished!



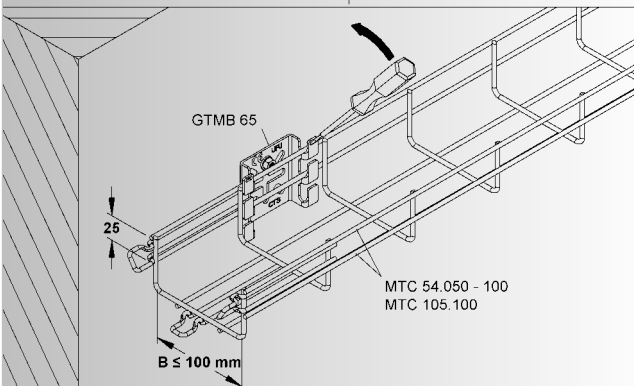
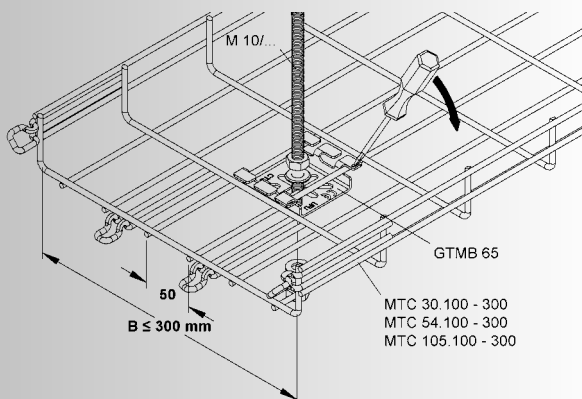
Universal joiner GRHKM 6X15

This universal joiner is one way of joining individual shorter parts or to manufacture bends. Alternatively, a Tolmega U-Link can be used to join up to 300 mm wide straight sections, no nuts & bolts needed.



Installation Bracket GTMB 65

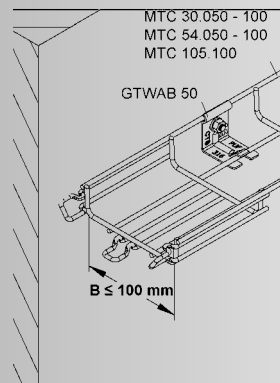
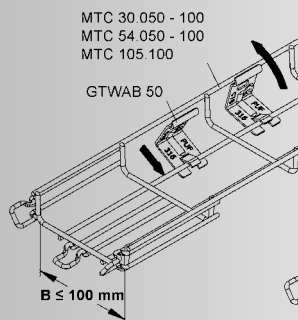
1. GTMB 65 is used for centered hanging the wire mesh tray with threaded rod, up to a width of 300 mm. Alternatively, the Multifunction clip T 25/50 or U 40 bracket of the Tolmega range can be used.
2. GTMB 65 is also used as a wall bracket for trays with up to 100 mm width and two side wires.



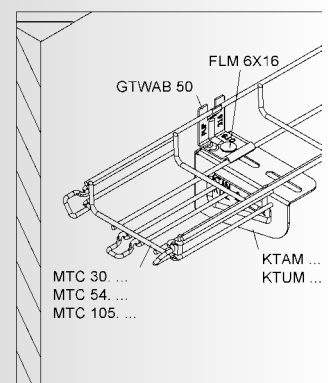
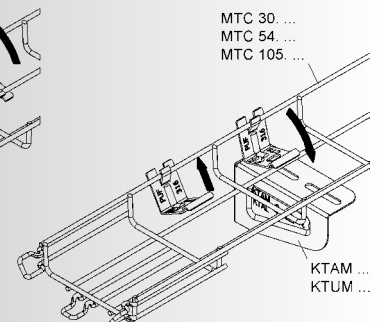
Wall and Cantilever fixing GTWAB 50

1. GTWAB 50 is used as a wall bracket up to trays with 100 mm width..
2. GTWAB 50 is also used for fixing the wire mesh tray onto a cantilever arm bracket KTAM/KTUM with nut & bolt.

wall mounting



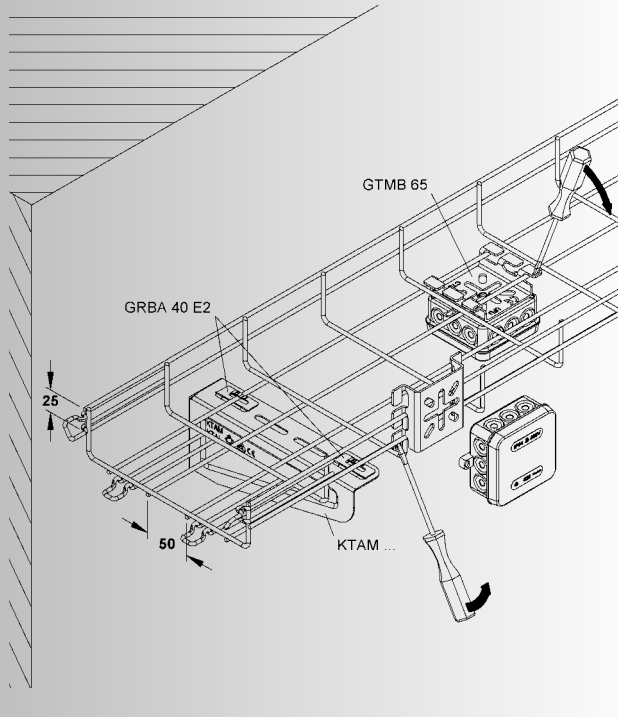
cantilever mounting



Installation instructions

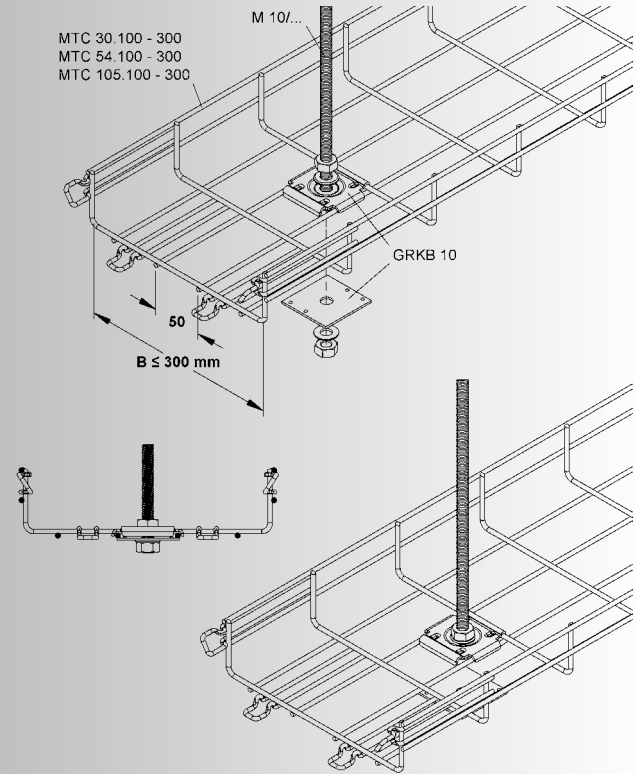
Boltless Cantilever clip fixing GRBA 40

GRBA 40 is used for a boltless fixing on a cantilever bracket KTAM... . The clip sits into the perforation of the cantilever bracket. The tray then gets pushed into the clip, and clicks in to a secure fixing. Also, pictured fixing possibilities for GTMB 65 (see above).



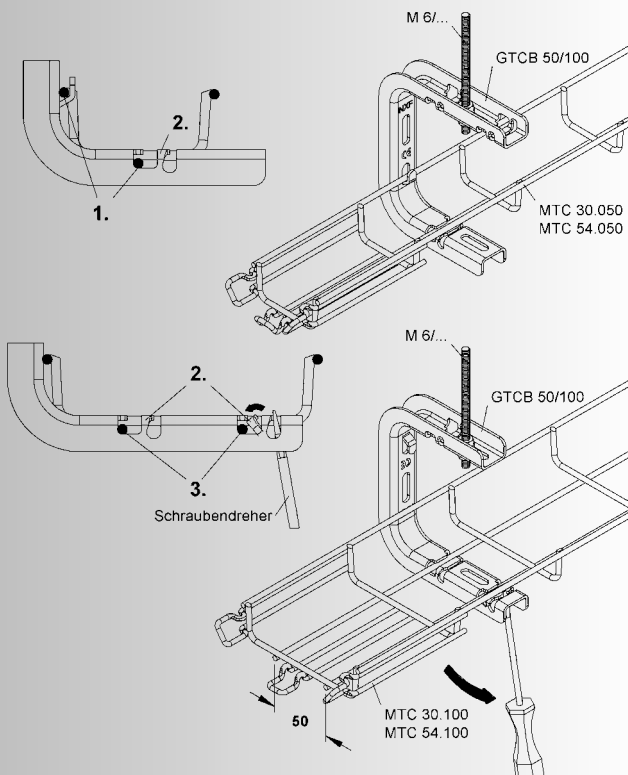
Threaded rod hanging bracket GRKB 10

GRKB 10 is used for centred hanging of the wire mesh tray with threaded rod, up to a width of 300 mm. Alternatively the Multifunction clip T 25/50 or the U 40 bracket of the Tolmega range can be used.



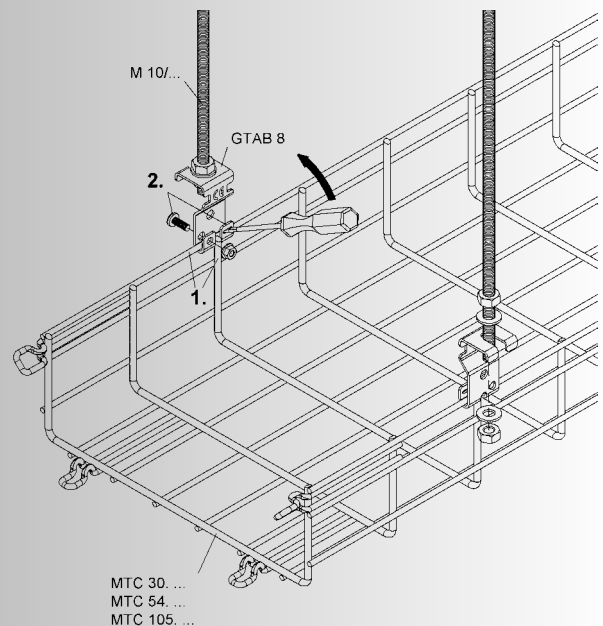
Central hanger GTCB50/100

1. Usage for MTC 30.050 and MTC 54.050, the side wire hooks into the vertical flap of the GTBC 50/100 while the bottom wire sits into the groove of the short arm. Secured anchorage with a push of a screwdriver.
2. Usage for MTC 30.100 and MTC 54.100, both bottom wires slide into the grooves on the bracket and get secured with a push of a screwdriver.



Dual threaded rod hanging bracket GTAB 8

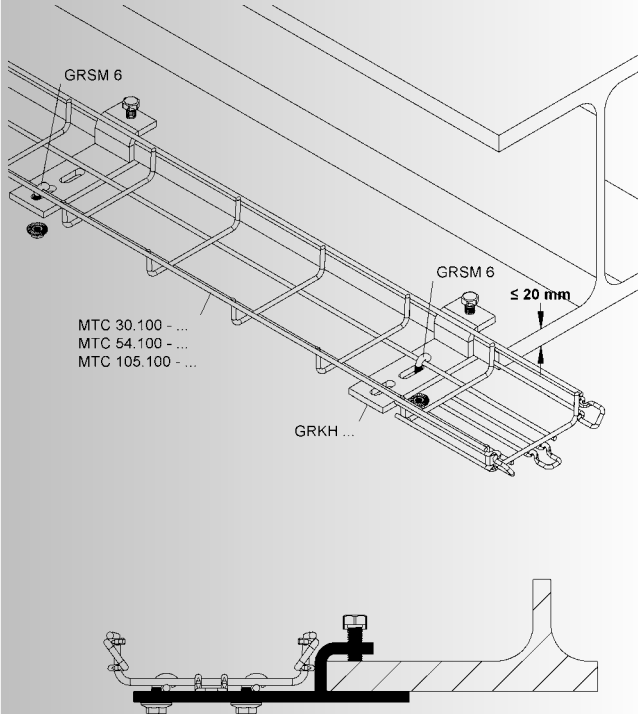
To ensure a proper fixing lengthwise the GTAB 8 needs to be mounted at a cross-section of length and cross wires meet (1). By bending the bottom parts with a screwdriver or fixing with bolt & nut the wire mesh tray cannot slide out.



Installation instructions

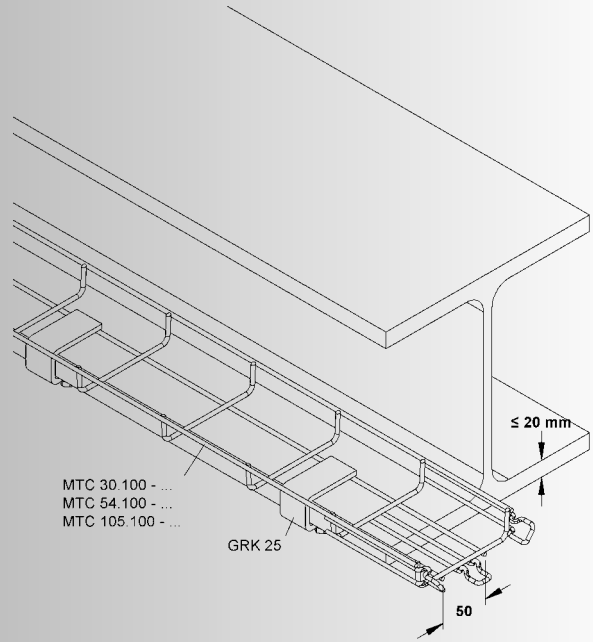
Steel Girder horizontal fixing GRKH ...

GRKH... is used for fixing the wire mesh tray as an extension to a horizontal girder flange with less than 20 mm thickness. By fixing the GRSM 6 hook left & right the basket will not tilt.



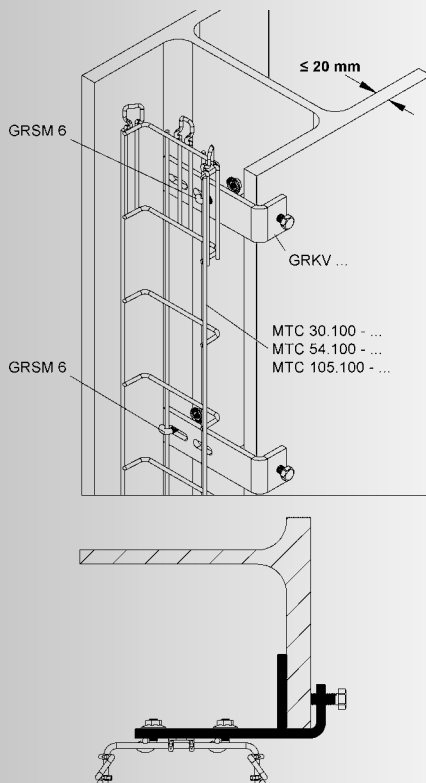
Clamp bracket GRK 25

GRK 25 is used to clamp the wire mesh tray onto the flange of a girder with less than 20 mm thickness. The clamps are reaching over two of the length wires with a max distance of 50 mm.



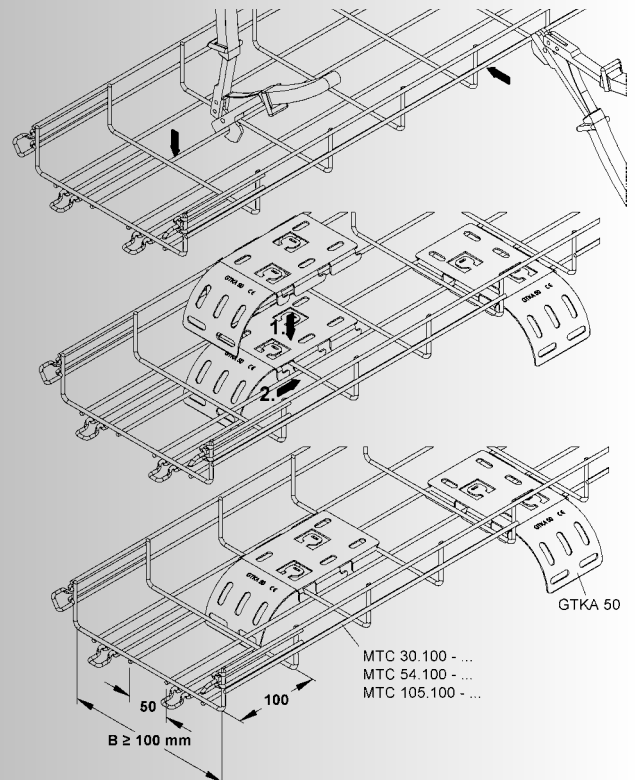
Steel Girder vertical fixing GRKV ...

GRKV... is used for vertical installation between two girder flanges with less than 20 mm thickness. The GRSM 6 hook bolts are used left & right again to ensure the wire mesh tray will not tilt.



Wire Mesh Tray cable outlet GTKA 50

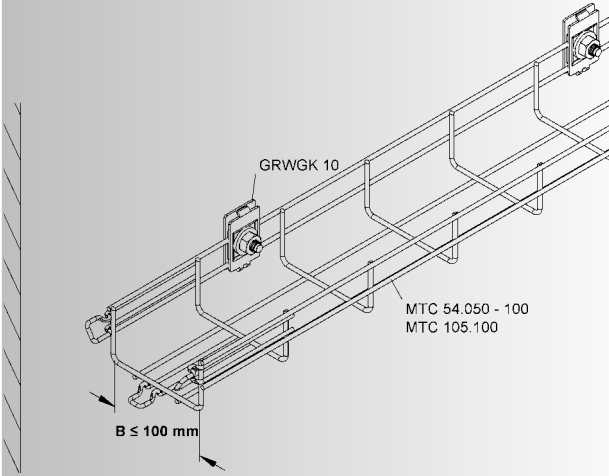
For wire mesh trays with a minimum width of 100 mm used for a safe cable outlet.



Installation instructions

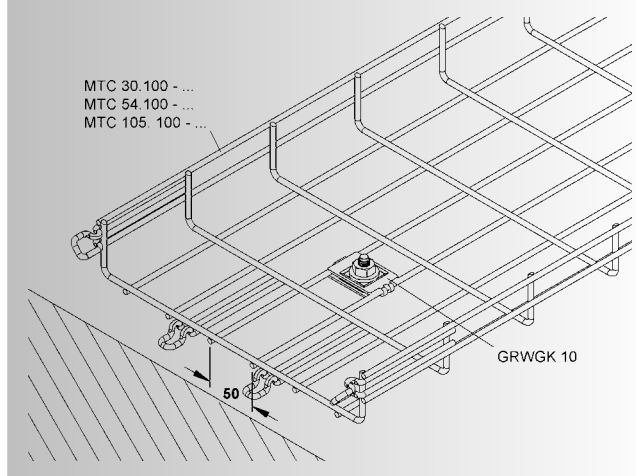
Fixing clamp GRWGK 10

1. GRWGK 10 can be used for fixing wire mesh trays up to 100 mm width and two side wires to a wall. For wires ranging from 3-6 mm thickness.



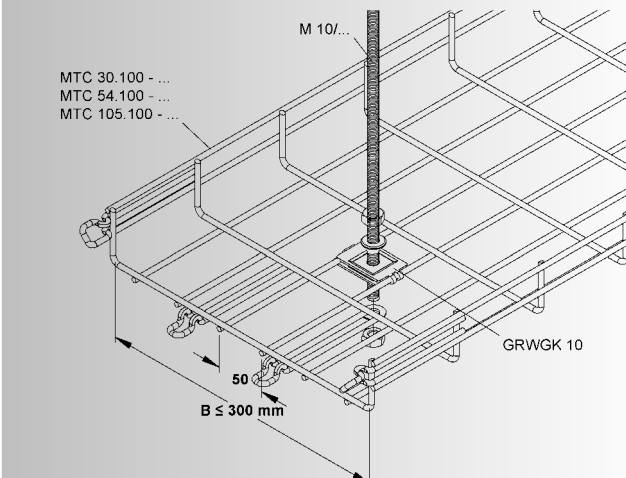
Fixing clamp GRWGK 10

2. GRWGK 10 can be used for fixing wire mesh trays bigger than 100 mm width to the ground or a channel. Alternatively, the Tolmega parts Multifunction Clip or U 40 can be used.



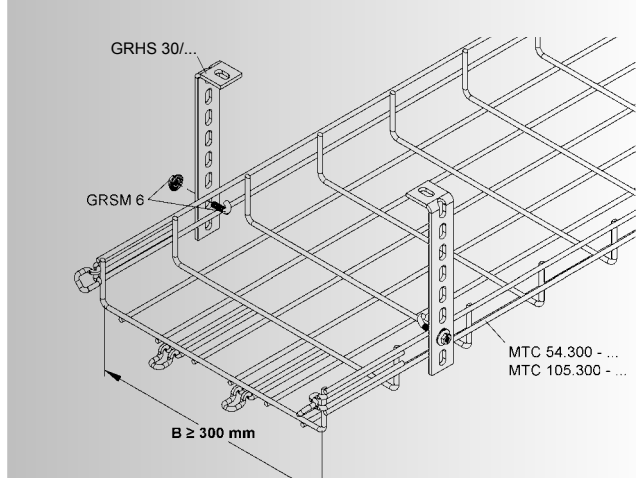
Fixing clamp GRWGK 10

3. GRWGK 10 can be used for hanging wire mesh trays up to 300 mm width and two bottom wires with a max. wire distance of 50 mm. Alternatively, the Tolmega parts Multifunction Clip or U 40 can be used.



Hanging bracket GRHS 30/...

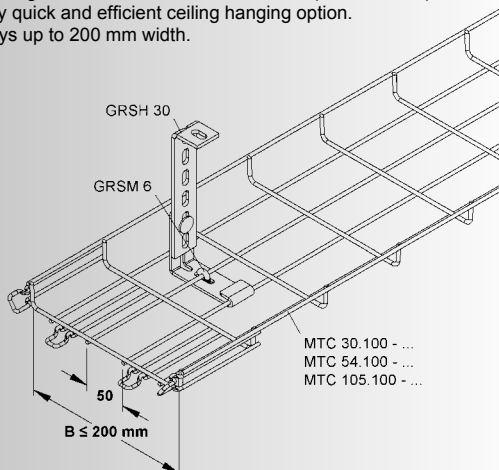
GRHS 30 is used for fixing wire mesh trays onto a wall or the ceiling. With a hook bolt GRSM 6 on the top side wire and the extra support on the bottom side wire mesh trays with bigger widths can be mounted solid. In particular, for wire mesh trays > 300 mm.



Standard Hanging bracket GRSH 30

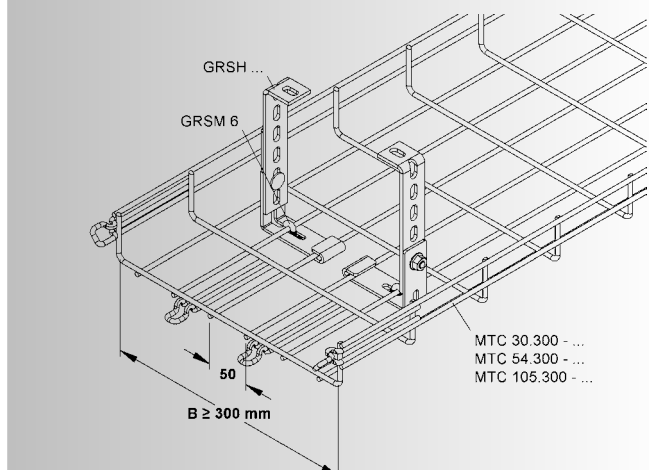
GRSH 30 is used for hanging wire mesh trays from the ceiling in the middle or left & right of the tray. There must be two bottom length wires and the distance between them must be max. 50 mm.

This bracket together with the GRSM 6 hook bolt (non-tilt effect) offers a very quick and efficient ceiling hanging option. Ideal for trays up to 200 mm width.



Standard Hanging bracket GRSH 30

For trays with widths > 200 mm you can use the GRSH30 as shown below. You can use the wire mesh trays in a staggered formation also. Ideal for trays > 300 mm.

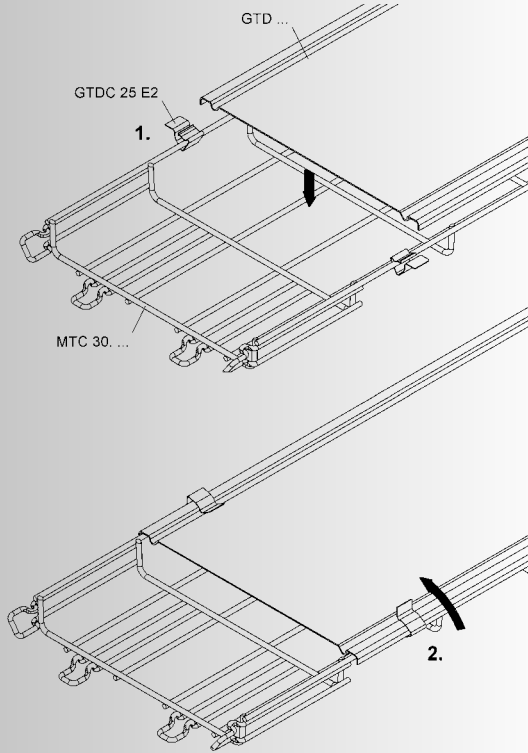


INFORMATION

Installation instructions

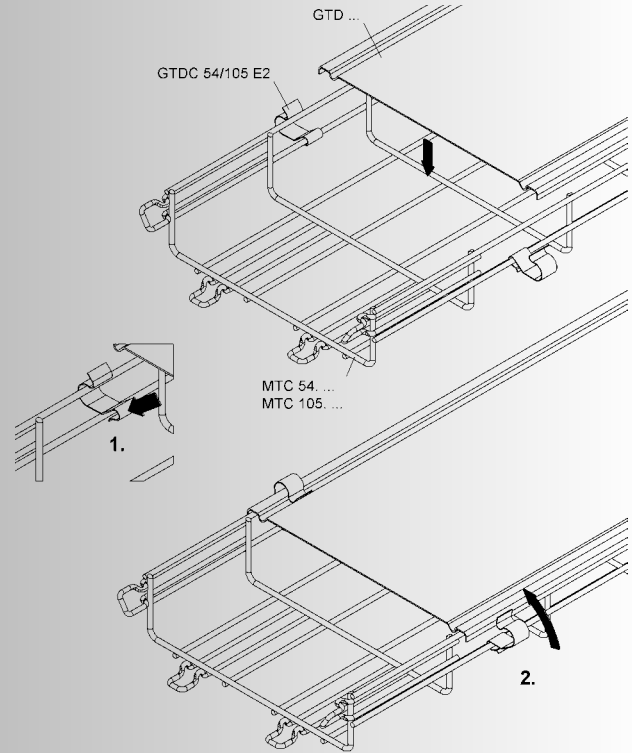
Wire Mesh Tray Lid/Cover fastening clip GTDC 25

GTDC 25 is used to fix the lid/cover onto MTC 30... via the side length wire.
 1. Clip the GTDC... onto the wire and put the lid/cover on.
 2. Push the clip into the groove of the lid/cover until it snaps in.



Wire Mesh Tray Lid/Cover fastening clip GTDC 54/105

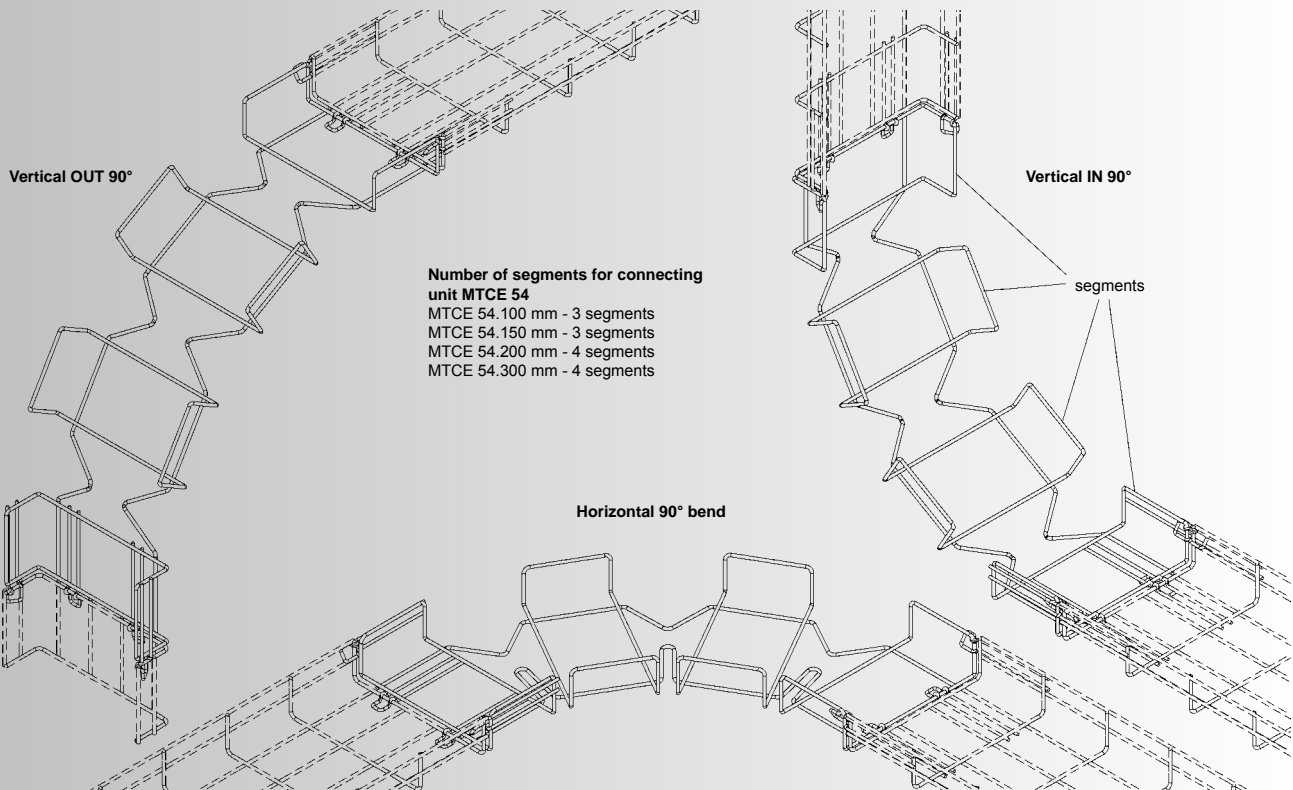
GTDC 54/105 is used to fix the lid/cover onto MTC 54...
 And MTC 105... with two or more side length wires.
 1. Clip the GTDC... onto the second side wire and put the lid/cover on.
 2. Push the clip into the groove of the lid/cover until it snaps in.



90° Bend

One Part – 3 different bends

The 90° bend is a multifunctional connecting unit used to form vertical and horizontal bends with various radii.



NIEDAX GENERAL TERMS OF SALE AND DELIVERY

I. GENERAL PROVISIONS

1. The following terms of sale and delivery are valid for every contract entered into by the Buyer and Niedax regarding delivered goods. They are valid for all future businesses even if they have not been expressly agreed upon again. Deviating purchasing terms of the buyer which are not expressly accepted by us, are not valid for Niedax. That applies also if Niedax has not expressly rejected them. The following terms are valid also if Niedax has executed the Buyer's order without objections while knowing of his adverse or different purchase terms. Sales to private, i.e. non-business customers are not made.
2. All agreements between the Buyer and Niedax regarding the execution of the sales contracts are contained by writing in the contracts.
3. If particular provisions are legally invalid, the whole contract shall remain validity regarding in the remaining parts, except for those cases where adherence to the contract would be unacceptable for at least one contractual party.

II. PRICES AND TERMS OF PAYMENT

1. The prices indicated are net, ex works, excluding packing, the respective VAT if applicable has to be added on top.
2. Prices apply without packing costs for orders up to Euro 600 net (not including VAT). In the case of orders greater than Euro 600 net (not including VAT), we deliver free of charge to the next goods station, including packing, for sealed collection in one consignment. Haulage at the place of reception is at the expense of the customer.
3. An additional charge of Euro 10 net (not including VAT) per order is levied on minimum orders of a value of less than Euro 100 net (small orders, not including VAT). The minimum-sized packing or packing drums are made to suit requirement and are only sold in complete packing units. A surcharge of Euro 5 net (not including VAT) to cover expenses is levied per unit (packing or packing drum) for orders that deviate from the standard packing unit sizes.
4. Delivery in parts is permitted if economically reasonable for the Buyer.
5. If deliveries are to be made to construction sites, the costs for freight / transportation will be advanced by Niedax und will be invoiced to the Buyer if no freight-free delivery is applicable or had been agreed.
6. If not otherwise agreed, all payments have to be made at the latest 10 days after invoicing to allow a three per cent discount, 30 days after invoicing to allow a two per cent discount and 45 days after invoicing net without deductions. This assumes that our invoice has not been dispatched before delivery of the goods; if that may be the case as an exception, the periods for payment shall be calculated on the day of delivery.
7. If the Buyer fails to fulfil his obligations to pay, e.g. does not honour a cheque or a bill payable or ceases his payments, or when circumstances become known that put his creditworthiness into question, then the entire residual debt shall become due, even if invoices exist that have a later maturity date or other agreements have been made regarding extension of the term of payment. In this case we shall not be obliged to make further deliveries unless the customer offers advanced payment before delivery. In the event that the customer does not offer cash payment, then we shall be entitled to claim damages for non-performance.
8. The Buyer can only set off against claims which are undisputed, accepted or legally ascertained.

III. DELIVERY TIMES, DELAY

1. Compliance with set periods for deliveries presupposes the punctual submission of all the necessary documents and other obligations that are to be supplied by the ordering party. If these preconditions are not promptly satisfied, then the periods of time shall be increased accordingly; this shall not apply if Niedax is responsible for the delay.
2. In case Niedax delays performance, the ordering party shall be entitled to demand damages limited to the foreseeable, typically occurring damage, except if the delay results from a deliberate or grossly negligent breach of contract or in case of fatal or bodily injury or injury to health, with Niedax having to take responsibility for respective acts committed by representatives and agents.
3. If the Buyer can prove damages resulting from the delay in delivery, he is entitled to claim compensation of 0.3 % for each full week of delay, but not more than a total of 15% of the price of the amount of delivery that could not be put to appropriate use because of the delay.
4. In case the dispatch or delivery are delayed at the request of the ordering party by more than a month after notification of readiness to deliver, it shall be possible to invoice the ordering party for storage for each month commenced at a rate of 0.5%, but not more than a total of 5%, of the price of the objects to be delivered. The contract parties remain free to prove higher or lower storage costs.
5. If the delivery times are not observed as a consequence of force majeure, e.g., mobilization, war, insurrection, or similar events like strikes or lock-outs, then the periods of time shall be extended accordingly.

IV. PASSING OF RISK, RECEIPT, TAKING BACK

1. The risk, including for carriage paid delivery, is passed to the ordering party as follows:
 - a) in the case of deliveries without mounting or installation, when they are handed over to the transport agent or to the ordering party in case of collection by themselves. At the request and expense of the ordering party deliveries will be insured by Niedax against the usual transport risks;
 - b) in case of deliveries including mounting or installation the passing of risk is on the day of acceptance within the ordering party's premises, or, if agreed, after a faultless test operation.
2. If the ordering party is responsible for delays in dispatch, delivery, the commencement or execution of the mounting or installation, acceptance at the ordering party's premises or the trial operation, or if the ordering party delays acceptance for any other reason, then the risk shall be transferred to the ordering party.
3. The ordering party may not refuse to accept deliveries for the reason of slight defects.
4. Returns of goods have to be coordinated with the concerned person dealing with the case. Articles which are especially produced and not fit for warehousing are exempt from taking back.

V. RETENTION OF TITLE

1. The delivered goods shall remain our property until all our claims arising from the business relationship have been settled. The delivered goods may only be sold in the due course of business either for cash payment or by transferring our reservation of ownership to the buyer. They may not be pledged nor assigned nor transferred by the customer.
2. The Buyer may sell or utilize the goods subject to retention of title for proper business purposes, unless he is in delay of payment. The customer herewith assigns to us all his future claims from release of the reserved goods. This assignment shall apply both for the full value and for the partial value corresponding to our coownership share of the goods sold. The assignment shall remain valid until all our claims have been paid in full. We hereby accept this assignment. The thus originated sole or partial ownership will be kept by the Buyer on our behalf.
3. We authorize the Buyer revocably to collect payments regarding the assigned claims - as long as he continues to fulfil his obligations towards us and does not become bankrupt. The sums received shall be transferred to us immediately when our claims are due. This authorization can be revoked anytime if the Buyer does not adhere to his payment obligations. The Buyer is not entitled to assign the claims to other parties, e.g. in a system of debt collection by factoring, except if at the same time the factor accepts the obligation to pay the consideration directly to us as long as claims by us exist against the Buyer.
4. If the goods are combined or merged with other items, we gain co-ownership regarding the new item, corresponding to the value of our reserved goods in relation to the value of the other goods at the time of processing. If the goods subject to retention of title are processed by the customer, each processing takes place for us.
5. In the case of neglect of duty by the Buyer, esp. delay of payment, we are entitled to the retraction of the goods subject to retention of title as well as to the withdrawal from the affected deal. The performance of retraction or of claiming the retention of the goods only means a withdrawal if we declare it expressly to be.
6. The customer shall immediately inform us of any third-party judicial enforcement measures against the reserved goods or claims assigned to us in advance. Such information must be accompanied by the documentation required for intervention.

NIEDAX GENERAL TERMS OF SALE AND DELIVERY

VI. WARRANTY FOR MATERIAL DEFECTS AND LIEBILITY

1. Claims for defects can only be made if the Buyer adhered to his obligation under § 377 HGB to properly examine and if necessary notify Niedax of defects.
2. In case of a defect, the Buyer has to give Niedax the opportunity for supplementary performance within reasonable time. The supplementary performance is deemed failed after unsuccessful attempts, if not more attempts are appropriate and just and reasonable for the buyer, regarding the contractual item. If the supplementary performance has failed, the Buyer is entitled – notwithstanding possible claims regarding damages – to withdraw from the contract or to reduce the remuneration. Damages resulting from defects cannot be claimed before the supplementary performance has been attempted twice (at least) unsuccessfully, except regarding damages under Clause VIII.
3. Claims on the part of the Buyer for expenses necessary for the purpose of remedying defects, will be borne by Niedax assumed that they are necessary and are not increased because the object of delivery has afterwards been taken to a place other than the premises of the ordering party, unless such movement complies with its use in accordance with the regulations.
4. Claims for only minor deviation from the agreed quality cannot be accepted. We must therefore reject claims for only minor impairment to fitness for use, or for natural wear and tear, or for damage arising after the transfer of risk as a result of faulty or negligent handling, excessive stress, unsuitable operating materials, defective building works, unsuitable building ground, or occurring as a result of other external influences that have not been presumed according to the contract. In case the ordering party or a third party carries out inexpert repairs or changes, there no right for claims will be granted by Niedax for defects caused by these works or the consequences of them.
5. We are liable according to the law for damages to life, body and health that result from an intentional or negligent neglect of duty committed by us, our representatives or agents, as well as for damages that are fall within product liability laws. We are liable for damages not included in the first sentence which result from intentional or grossly negligent breaches of contract as well as in case of fraudulent concealment of a defect committed by us, our representatives or agents, following the legal provisions. In those last mentioned cases however our liability is limited to the foreseeable, typically occurring damage, except when we or our representatives or agents have acted intentionally.
6. We are liable for damages that are caused by us by slight negligent neglect of contractual obligations whose fulfillment is indispensable for the contractual performance and in whose compliance the Buyer fundamentally and justifiably trusts (fundamental contractual obligations). Our liability is however limited to damages that are typically related to the contract and foreseeable.
7. In accordance with § 478 BGB (Rückgriff des Unternehmers [Contractor's Recourse, § 478 BGB]), the ordering party's rights of recourse against Niedax only exist in so far as the ordering party has made no agreements with its supplier that extend beyond the legal claims for defects.
8. Claims for material defects are subject to a limitation period of 12 months. This restriction shall not apply in so far as the law prescribes longer periods in accordance with §§ 438, Par. 1 No. 2 (Bauwerke und Sachen für Bauwerke [Buildings and Items for Building]), 479 Par. 1 (Rückgriffsanspruch [Right of Recourse]) and 634a Par. 1 No. 2 (Baumängel [Building Defects]) of the BGB [German Civil Code], and in cases of injury to life, health or bodily injury, in case of an intentional or gross carelessness on the part of Niedax, and in case of fraudulent concealment of a defect.

VII. IMPOSSIBILITY; ADAPTATION OF CONTRACTS

1. If delivery is impossible, the ordering party shall be entitled to demand compensation, unless Niedax is not responsible for the impossibility. The claim for damages on the part of the ordering party is, however, limited to 15% of the value of that part of the delivery that cannot be put into appropriate operation due to the impossibility of delivery. This limitation shall not apply in so far as there is absolute liability in cases of intent or gross negligence or in the event of fatal or bodily injury or injury to health; this is not associated with any change in the burden of proof to the disadvantage of the ordering party. The right of the ordering party to withdraw from the contract remains unaffected.
2. If unforeseeable events in the sense of Item III No. 5 significantly change the economic importance or content of the delivery or have a significant effect on the working activities of Niedax, the contract shall be reasonably adapted respecting good faith. If this is not economically justifiable, Niedax shall have the right to withdraw from the contract. If he wishes to avail himself of this right to withdraw from the contract, then he shall undertake to inform the ordering party of the fact immediately, having determined the extent and consequences of the event; this shall also apply if an extension of the delivery time has first been agreed with the ordering party.

VIII. FURTHER CLAIMS TO DAMAGES

1. Claims to damages and expenses by the Buyer (hereafter: damages), whatsoever the legal reason, especially resulting from a neglect of contractual obligations or from an unlawful act, are excluded.
2. The aforesaid exclusion is not valid insofar as there is mandatory liability by law, e.g. under product liability law, in cases of intentional or grossly negligent acts, damages to life, body and health and neglect of fundamental contractual obligations. Our liability regarding the neglect of fundamental contractual obligations is however limited to damages typically related to the contract and foreseeable, except with intentional or gross negligence and with damages to life, injuries, impacts on health. This is not associated with any change in the burden of proof to the disadvantage of the ordering party.
3. The Buyer's claims to damages mentioned here in Art. VIII expire after the end of the limitation period according material defects under Article VI paragraph 8. In case of titles to claim according to the Product Liability Act the legal rules regarding the limitation period will apply.
4. The 12 months limitation period also applies to measures to remedy the damages, especially to product recalls.

IX. PLACE OF PERFORMANCE, OF JURISDICTION AND APPLICABLE LAW

1. Place of performance of deliveries and payments is Linz am Rhein. The sole place of jurisdiction for all disputes arising directly or indirectly out of sales contracts between Niedax and the Buyer (including action on a dishonored cheque or bill payable) shall be governed by the place of performance, too. Niedax shall, however, also be entitled to bring an action at the domicile of the ordering party.
2. The legal relationships between the contractual parties shall be governed exclusively by German substantive law, to the exclusion of the United Nations Convention on Contracts for the International Sale of Goods (CISG).

As of 05/2016

NIEDAX GmbH & Co. KG . Asbacher Str. 141 . D-53545 Linz am Rhein bzw. Postfach 1286 . 53541 Linz/Rhein . ++49 (0) 2644 5606 - 0 . Fax - 13

Australia

Niedax Australia Pty. Ltd. Level 28, 1 Market Street
Sydney, NSW 2000
Mr. Chris Ivkovic . Tel: +61 488 222 310
chris.ivkovic@niedax.com.au
info@niedax.com.au . www.niedax.com.au

Brazil

Niedax Sistemas de Bandeamento para Cabos Ltda.
Rua Verbo Divino, 1661, 3º andar, cjto. 32, sala 04
Chácara Santo Antônio, 04719-002 São Paulo
Tel: +55 19 38782566 . Fax: +55 19 38782566
lutz.vosgerau@niedax.de

Chile

Chile Niedax Chile SpA
Américo Vespucio Norte 1385 - módulo 37
Quilicura, Santiago
Tel: +56 232 627656
cristian.robson@niedax.cl . www.niedax-group.com

Denmark

Duelco A/S
Systemvej 8-10
DK-9200 Aalborg SV
Tel: +45 70101007 . Fax: +45 70101008
info@duelco.dk . www.duelco.dk

GCC-States

Niedax Middle East FZE
P.O. Box 262461
FZS2AC08, Jebel Ali, UAE-Dubai
Tel: +9714 880 7970 . Fax: +9714 880 7972
ibrahima@ebo-systems.com . www.niedax.com

Ireland/UK

Niedax CMS Ltd.
Clash Industrial Estate
IRL-Tralee, Co. Kerry, Ireland
Tel: +353 667128701 . Fax: +353 667180301
matt@niedax.ie . www.niedax-group.com

Korea

Hansung System
RM # 301 Nexvill, 1301-2, Baekseok-Dong, Ilsan-
dong-Gu, Goyang-Si, Kyunggi-Do, Korea, 410-817
Tel: +82 31 908 3912
hantradg@unitel.co.kr

Luxembourg

Minusines S.A.
B.P. 2212; 8, rue Hogenberg
L-1022 Luxembourg-Gasperich
Tel: +352 495858 . Fax: +352 495866
info@minusines.lu . www.minusines.lu

Norway

Niedax Norway AS
Bedriftsvegen 33 . N-4353 Klepp Stasjon
Tel: +49 1723130053
oliver.flammersfeld@niedax.no
www.niedax-group.com

Poland

Niedax-Kleinhuis Polska Sp.zo.o.
ul. Zagórska 133
PL-42-680 Tarnowskie Góry
Tel: +48 323819810 . Fax: +48 323843956
info@niedax.pl . www.niedax.pl

Serbia

GEMEX d.o.o
Zrenjanski put 103b
11210 Belgrad
Tel: +381 11 33181 . Fax: +381 11 3318012
zoran.brasanac@gemex.rs

Spain

Niedax-Kleinhuis Ibérica S.L.U.
C/Italia 5 y 7
E-28971 Grinón (Madrid)
Tel: +34 918103197 . Fax: +34 918103889
niedax.iberica@niedax.com . www.niedax.com

Thailand

Niedax (Thailand) Ltd.
62/10 M6, T Samnaktorn, A. Ban Chang
Rayong 21130 Thailand
Tel: +66 (38) 963 258 . Fax: +66 (38) 963 595
info@niedax.co.th

Austria

Niedax Kabelverlege-Systeme GmbH
Resselstraße 10
A-2120 Wolkersdorf
Tel: +43 2245901100 . Fax: +43 22459011020
office@niedax.at . www.niedax.at

Brunei

Joffren Omar Company Sendirian Berhad
Head Office Seria Lot 49-51
Sg. Bera Light Industrial Area Seria
KB1933, Negara Brunei Darussalam
Tel: +673 3223 863 . Fax: +673 3223 309

Croatia

RS Kabel d.o.o.
Savska cesta 41/VI, Poslovni To
10144 Zagreb
Tel: +385 1 611 2038 . Tel: +385 1 631 3239
prodaja@rs-kabel.hr . www.rs-kabel.hr

Estonia

Poweram Elektriseadmed OÜ
Akadeemia tee 33, 12618 Tallinn, Estonia
Tel: +372 672 6833 . Fax: +372 672 6831
info@poweram.ee . www.poweram.ee

Hungary

Niedax Kereskedelmi Kft.
Budafoki út 10.
H-2030 Érd
Tel: +36 23521300 . Fax: +36 23390489
info@niedax.hu . www.niedax-group.com

Israel

Erco LTD
41 Hayozma St. P.O Box 12045
Ashdod 77000
Tel: +972 732 020 002 . Fax: +972 732 020 001
amir@erco.co.il . www.erco.co.il

Letiva

AS ERNERGOFIRMA JAUDA
Krustpils street 119
LV-1057 Riga, LATVIA
Tel: +37 67725789 . Fax: +37 67725770
info@jauda.com . www.jauda.com

Mexico

Niedax de Mexico S.A. de C.V.
Calle San Bernardo 9A
Colonia Sanctorum Cuautlancingo Puebla
Mexico C.P. 72730
Tel: +52.222.485.0586 & 485.0588
Fax: +52.222.485.0414 . salesmex@niedax.com

Pakistan

Industrial Supplies & Engineering Associates
PO BOX 8103 Baghbanpura Lahore-9,
P.O. Code: 54920
Tel: +92 3444465812
isea_global@yahoo.com . isea_global1@gmail.com

Romania

Niedax Romania s.r.l.
Soseana Chitilei nr. 3, sector 1
RO-012381 Bucuresti
Tel: +40 216680280 . Fax: +40 216680280
info@niedax.ro . www.niedax-group.com

Slovak Republic

Niedax Slowakia s.r.o.
Pestovateľská 6
SK-82104 Bratislava
Tel: +421 244630934 . Fax: +421 244630935
niedax@niedax.sk . www.niedax.sk

Sweden

Fasteus Teknik AB
Magasinsgatan 35
S-43437 Kungsbacka
Tel: +46 30051000 . Fax: +46 30070410
info@fasteus.se . www.fasteus.se

USA

Niedax Inc.
2970 Charter Street
Columbus, OH 43228 USA
Tel: +1 6149218469 . Fax: +1 6149218676
sales@niedaxusa.com . www.niedaxusa.com

Belgium

Niedax-Kleinhuis N.V.
Tulpenstraat 2
B-9810 Eke/Nazareth
Tel: +32 92200790 . Fax: +32 92200791
info@niedax.be

Bulgaria

Niedax Bulgaria
Filip-Kutev-Str. 137
BG-1407 Sofia
Tel: +359 29624574 . Fax: +359 29624504
office@niedax.bg

Czech Republic

Niedax-Kleinhuis s.r.o.
Palackeho 701
CZ-27746 Veltrusy
Tel: +42 0315781116 . Fax: +42 0315781118
niedax@seznam.cz

France

Niedax France
Parc d'Activités Washington
Av. de la ferme du Roy, FR-62404 Béthune Cedex
Tel: +33 321 64 75 75 . Fax: +33 321 64 75 76
info@niedax.fr . www.niedax-group.com

India

Niedax Cable Management Systems Pvt. Ltd.
1007, Prestige Meridian I, 29 Mahatma Gandhi Road
Bangalore - 560 001
info@niedax.co.in . www.niedax.co.in

Italy

Niedax EBO Italia S.R.L.
Con Socio Unico, Via Torri Bianche, 7 / M
I-20871 Vimercate (MB)
Tel: +39 039 6918056 . Fax: +39 039 6080267
info.it@ebo-systems.com . www.niedax.com

Lithuania

JSC „Swelbalt“
Sudmantu kaimas
92498 Klaipėdos rajonas
Tel: +370-46-300 100 . Fax: +370-46-300 101
info@swelbalt.lt . www.swelbalt.lt

Netherlands

Niedax-Kleinhuis B.V.
Bijsterhuizen 20-05A
NL-6604 LH Wijchen
Tel: +31 243788533 . Fax: +31 243788390
info@niedax.nl . www.niedax.nl

Philippines

POWEREDGE™ Solutions Phils Inc
285-A Haig St Brgy Daang Bakal
Mandaluyong City 1552
Office: (02) 5355552-53
www.poweredge.com.ph

Russia

Niedax LLC
Leningradsky Prospekt 76/4
125315 Moskau
Tel: +7 495 249 45 88
russia@niedax.ru . www.niedax-group.ru

Slowenia

Kabeltrade d.d.o.
Latkova vas 83B, 3312 Prebald
Tel: +386 3 620 24 62
kabeltrade@kabeltrade.si
www.kabeltrade.si

Switzerland

Niedax EBO Schweiz AG
Wehreyering 21 Postfach
CH-3930 Visp
Tel: +41 279456868 . Fax: +41 279456869
info@niedax.ch

Vietnam

Niedax Asia Pacific Pte. Ltd
Ho Chi Minh City
nam.dang@niedax.com



Niedax GmbH & Co. KG
Asbacher Straße 141
D-53545 Linz/Rhein

Postfach 1286
D-53541 Linz/Rhein

Tel: +49 (0) 2644/5606-0
Fax: +49 (0) 2644/5606-13

info@niedax.de
www.niedax.de